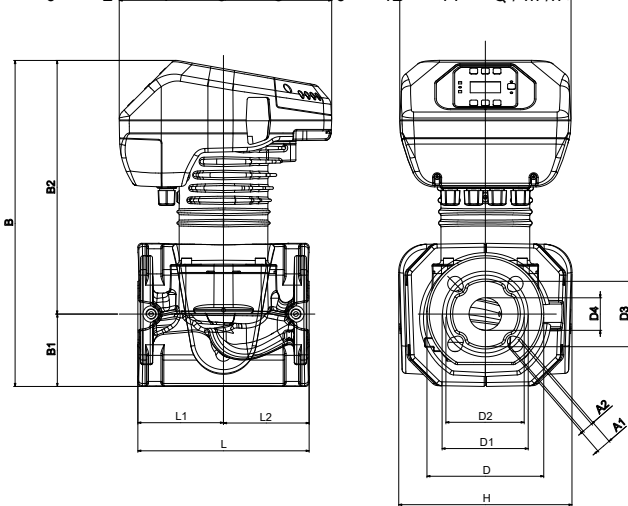
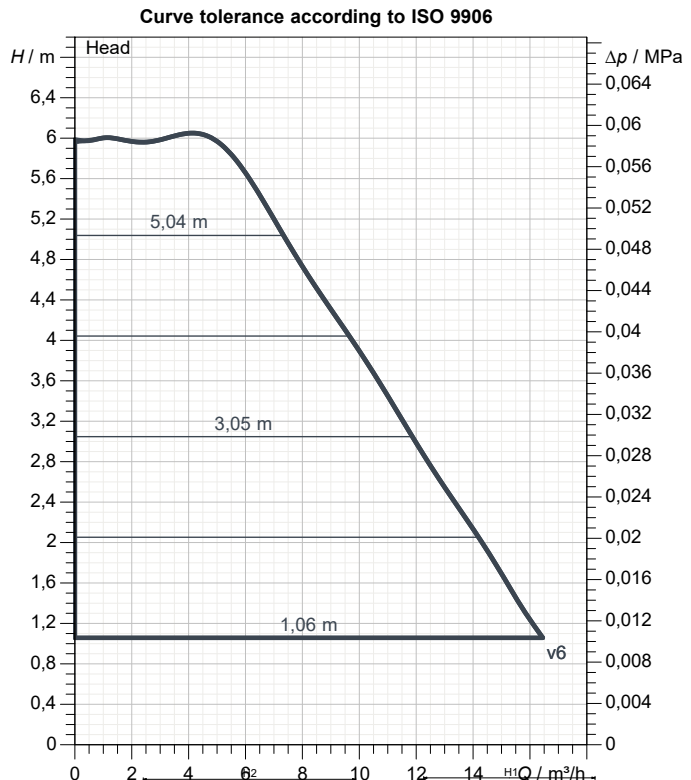


Receiver

From

Society
Reference
Address
Phone
Fax
E-mail

Item n° : 60150964	Customer pos. no.:
Model : EVOPLUS B 60/220.40 M	
Pump data	
Pressure rating :	1,6 MPa
Min. fluid temperature :	-10 °C
Max. fluid temperature :	110 °C
EEI :	≤ 0,20
Minimum suction head :	
Temperature	°C 90 100
Minimum suction head :	m 20 25
Requested data	
Flow :	
Head :	
Fluid (%) :	
Fluid Temperature :	20 °C
Density :	998,3 kg/m ³
Kinematic viscosity :	1,005 mm ² /s
Vapor pressure :	0,00 MPa
Hydraulic data (duty point)	
Flow :	
Head :	
Materials	
Pump body	Cast iron 250 UNI ISO 185 - CTF
Impeller	Technopolymer
Motor shaft	Stainless steel
Seal ring	EPDM
Motor casing	Die cast aluminium
Closing flange	Stainless steel
Thrust ring support	Stainless steel



Motor data	
Motor brand :	DAB
Power input P1 :	0,1749 kW
Rated voltage :	1~ 220-240 V 50 Hz
Nominal current :	1 A
Degree of protection :	IP 44

Dimensions in mm							
A1	19	D1	110	H2	273		
A2	14	D2	100	L	220		
B	419	D3	84	L1	110		
B1	93	D4	42	L2	110		
B2	326	H	222				
D	150	H1	220				
Weight :		20,8 kg					
Pump connection							
Suction side :	DN 40	/	PN6, PN10, PN16				
Discharge side :	DN 40	/	PN6, PN10, PN16				

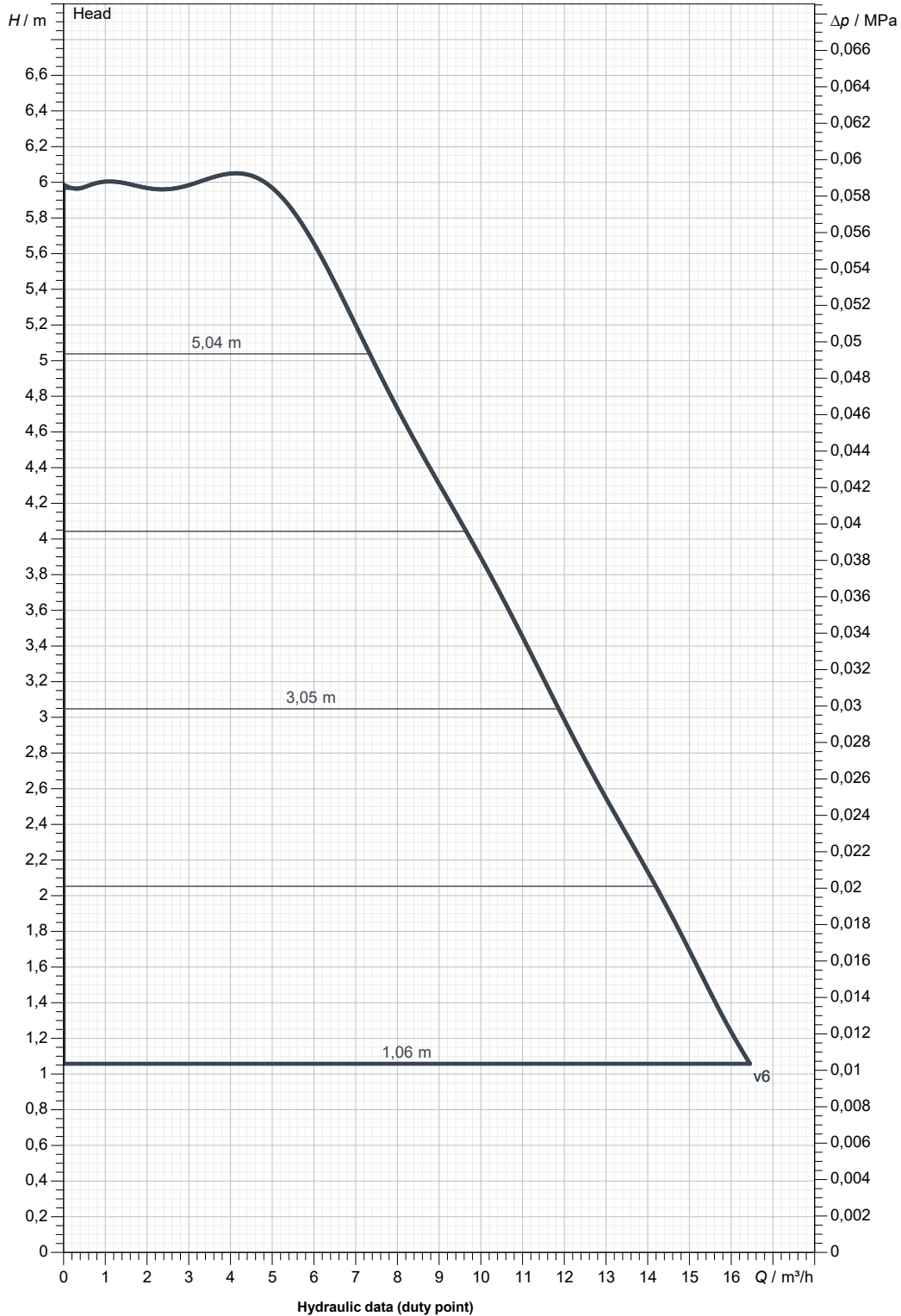
Receiver

From

 Society
 Reference
 Address
 Phone
 Fax
 E-mail

EVOPLUS B 60/220.40 M

Curve tolerance according to ISO 9906



Hydraulic data (duty point)

Suction side : DN 40 PN6, PN10, PN16	Discharge side : DN 40 PN6, PN10, PN16	Flow :	Head :	Rated speed : 2.900 1/min
MAIN_PROJECT_TITLE	BUSINESS_PROCESS_I	OWNER_	ISSUE_DATE 2023-02-06	



DIMENSIONAL DRAWING

2023-02-06

Page 3 / 3

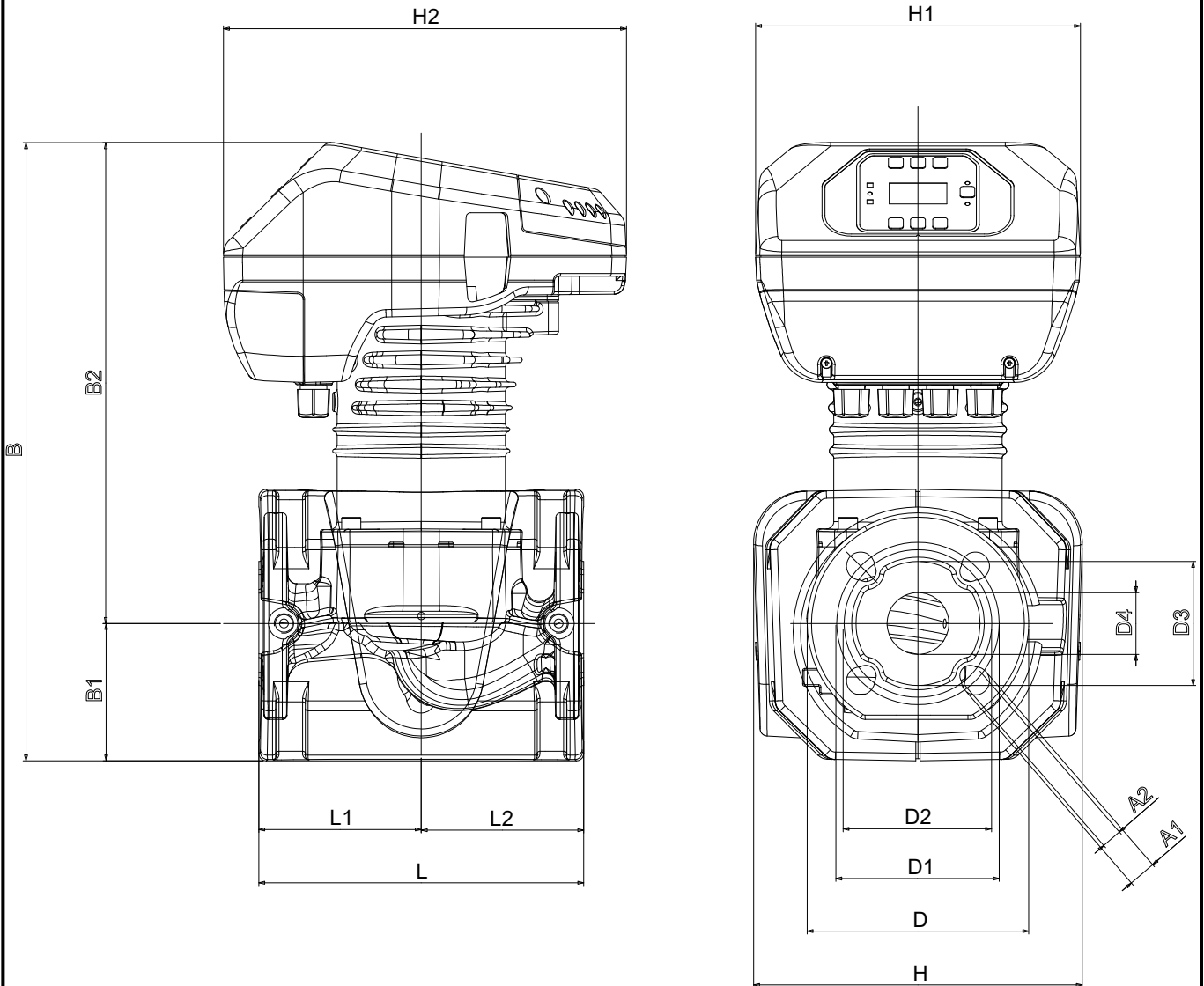
DAB PUMPS S.p.A.
Via Marco Polo, 14 - 35035 Mestrino (PD), Italy
Tel. +39 049 5125000 - Fax +39 049 5125950
www.dabpumps.com

Receiver

From

Society
Reference
Address
Phone
Fax
E-mail

EVOPLUS B 60/220.40 M



Dimensions in mm					Pump connection	
1	A1	19	H1	220	Suction DN 40 PN6, PN10, PN16 Discharge DN 40 PN6, PN10, PN16	
2	A2	14	H2	273		
3	B	419	L	220		
4	B1	93	L1	110		
5	B2	326	L2	110		
6	D	150				
7	D1	110				
8	D2	100				
9	D3	84				
10	D4	42				
11	H	222				

MAIN_PROJECT_TITLE	BUSINESS_PROCESS_ID	OWNER	ISSUE_DATE 2023-02-06
--------------------	---------------------	-------	--------------------------