

Receiver

From

Society
Reference
Address
Phone
Fax
E-mail

Item n° : Customer pos. no.:
60150965
Model :
EVOPLUS B 80/220.40 M

Pump data
Pressure rating : 1,6 MPa
Min. fluid temperature : -10 °C
Max. fluid temperature : 110 °C
EEI : ≤ 0,20

Minimum suction head :
Temperature °C 90 100
Minimum suction head : m 20 25

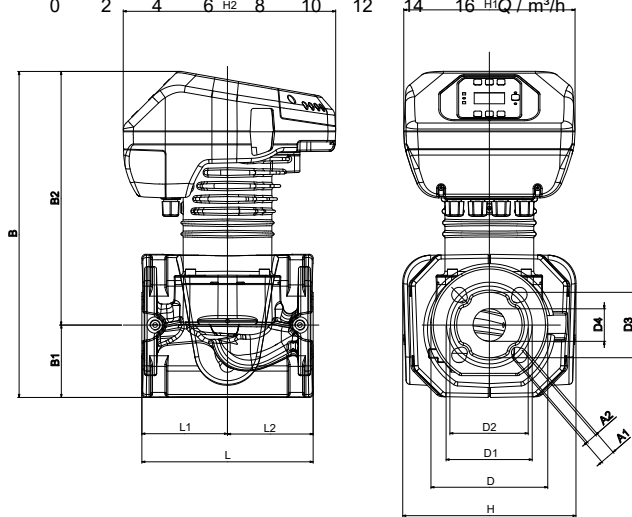
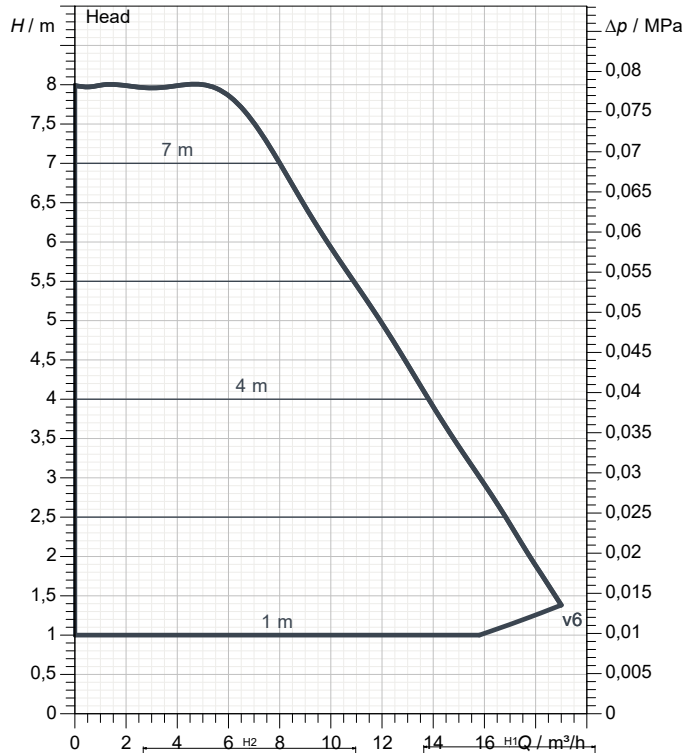
Requested data
Flow :
Head :
Fluid (%) :
Fluid Temperature : 20 °C
Density : 998,3 kg/m³
Kinematic viscosity : 1,005 mm²/s
Vapor pressure : 0,00 MPa

Hydraulic data (duty point)
Flow :
Head :

Materials
Pump body : Cast iron 250 UNI ISO 185 - CTF
Impeller : Technopolymer
Motor shaft : Stainless steel
Seal ring : EPDM
Motor casing : Die cast aluminium
Closing flange : Stainless steel
Thrust ring support : Stainless steel

Motor data
Motor brand : DAB
Power input P1 : 0,26 kW
Rated voltage : 1~ 220-240 V 50 Hz
Nominal current : 1,35 A
Degree of protection : IP 44

Curve tolerance according to ISO 9906



Dimensions in mm	
A1	19
A2	14
B	419
B1	93
B2	326
D	150
D1	110
D2	100
D3	84
D4	42
H	222
H1	220
H2	273
L	220
L1	110
L2	110
Weight : 20,8 kg	
Pump connection	
Suction side :	DN 40 / PN6, PN10, PN16
Discharge side :	DN 40 / PN6, PN10, PN16



PERFORMANCE CURVES

2023-02-06

Page 2 / 3

DAB PUMPS S.p.A.
Via Marco Polo, 14 - 35035 Mestrino (PD), Italy
Tel. +39 049 5125000 - Fax +39 049 5125950
www.dabpumps.com

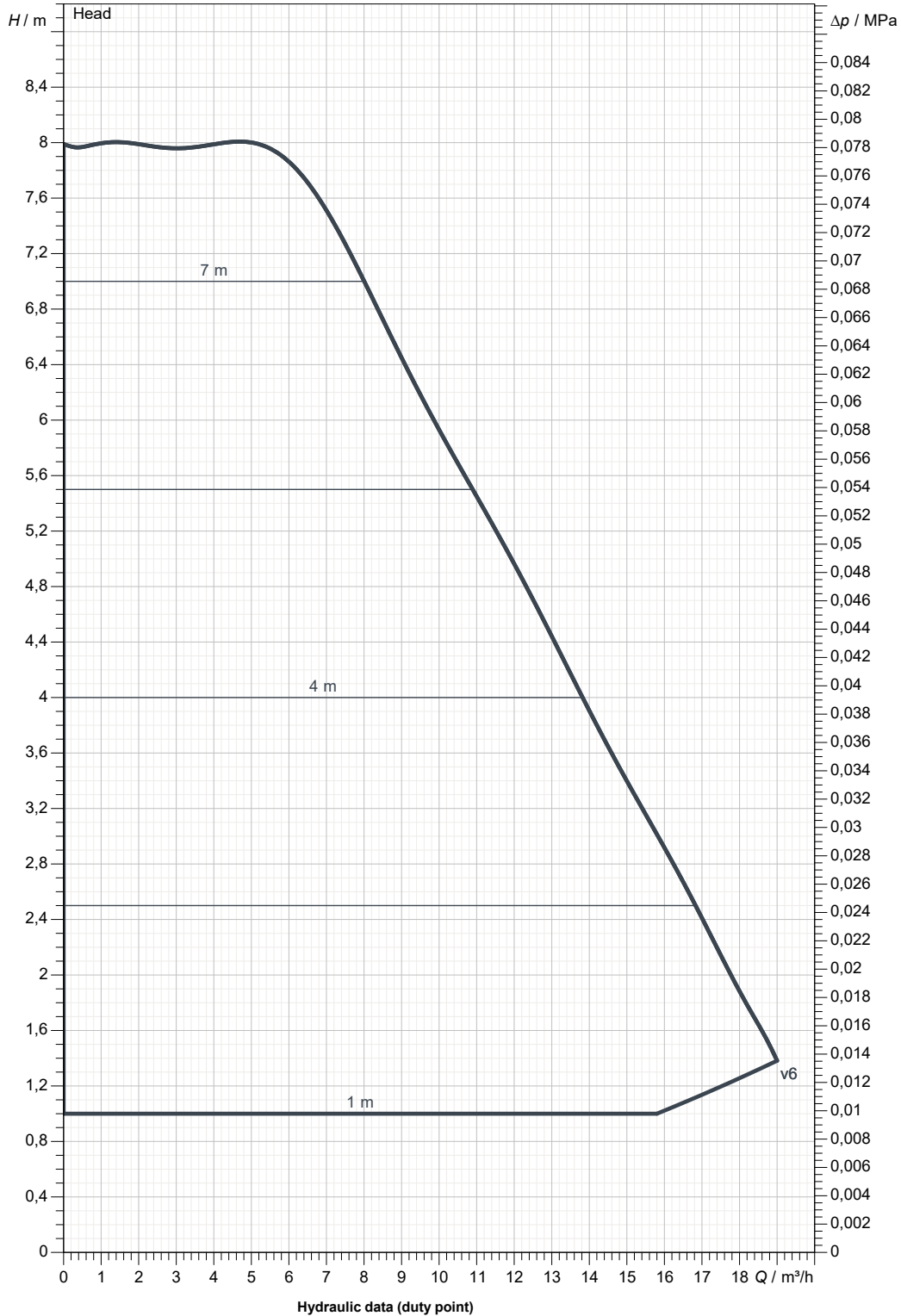
Receiver

From

Society
Reference
Address
Phone
Fax
E-mail

EVOPLUS B 80/220.40 M

Curve tolerance according to ISO 9906



Suction side : DN 40 PN6, PN10, PN16	Discharge side : DN 40 PN6, PN10, PN16	Flow :	Head :	Rated speed : 2.900 1/min
MAIN_PROJECT_TITLE	BUSINESS_PROCESS_IC	OWNER_	ISSUE_DATE 2023-02-06	



DIMENSIONAL DRAWING

DAB PUMPS S.p.A.
Via Marco Polo, 14 - 35035 Mestrino (PD), Italy
Tel. +39 049 5125000 - Fax +39 049 5125950
www.dabpumps.com

2023-02-06

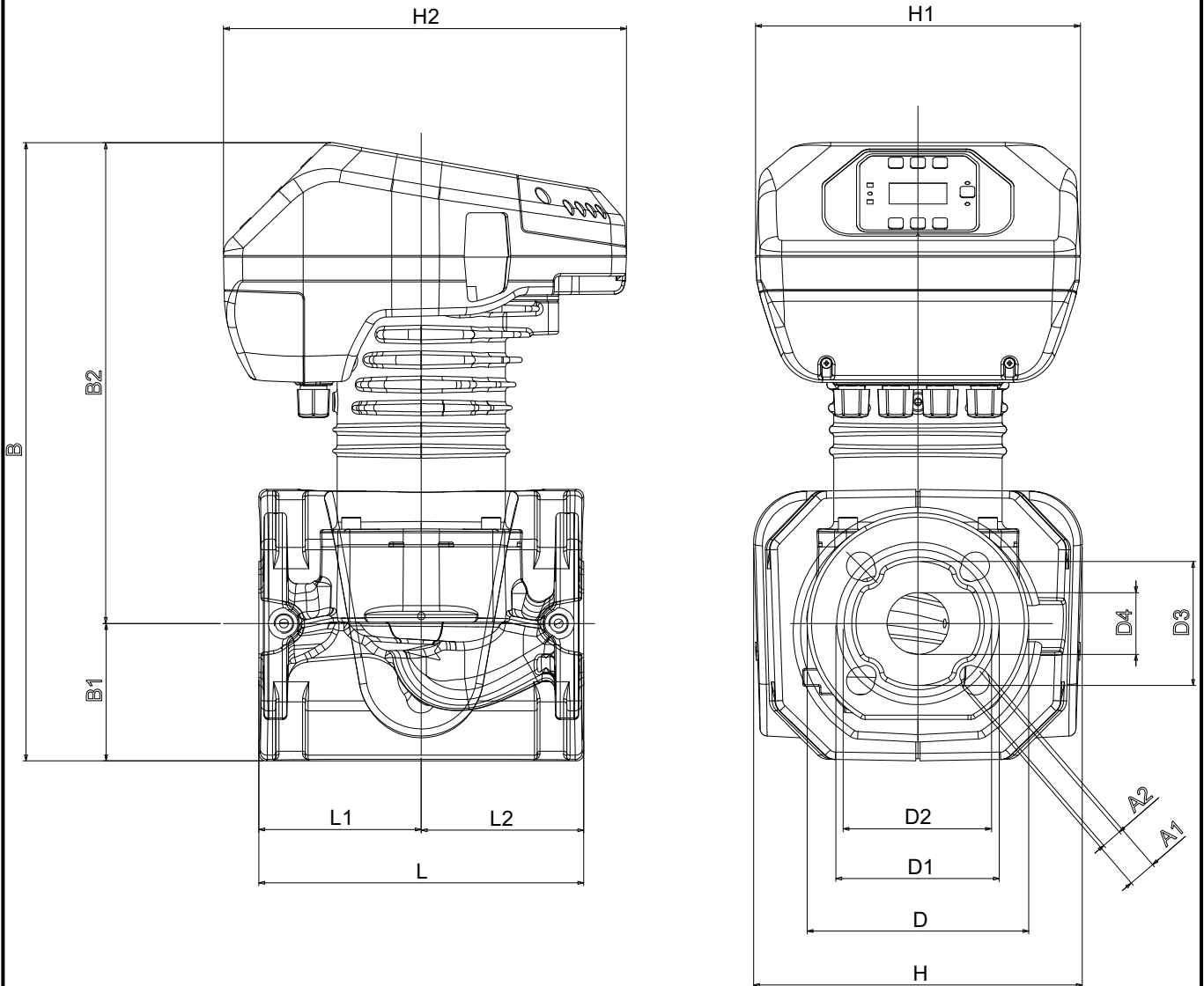
Page 3 / 3

Receiver

From

Society
Reference
Address
Phone
Fax
E-mail

EVOPLUS B 80/220.40 M



Dimensions in mm					Pump connection	
1	A1	19	H1	220	Suction DN 40 PN6, PN10, PN16 Discharge DN 40 PN6, PN10, PN16	
2	A2	14	H2	273		
3	B	419	L	220		
4	B1	93	L1	110		
5	B2	326	L2	110		
6	D	150				
7	D1	110				
8	D2	100				
9	D3	84				
10	D4	42				
11	H	222				

MAIN_PROJECT_TITLE	BUSINESS_PROCESS_ID	OWNER	ISSUE_DATE 2023-02-06
--------------------	---------------------	-------	---------------------------------