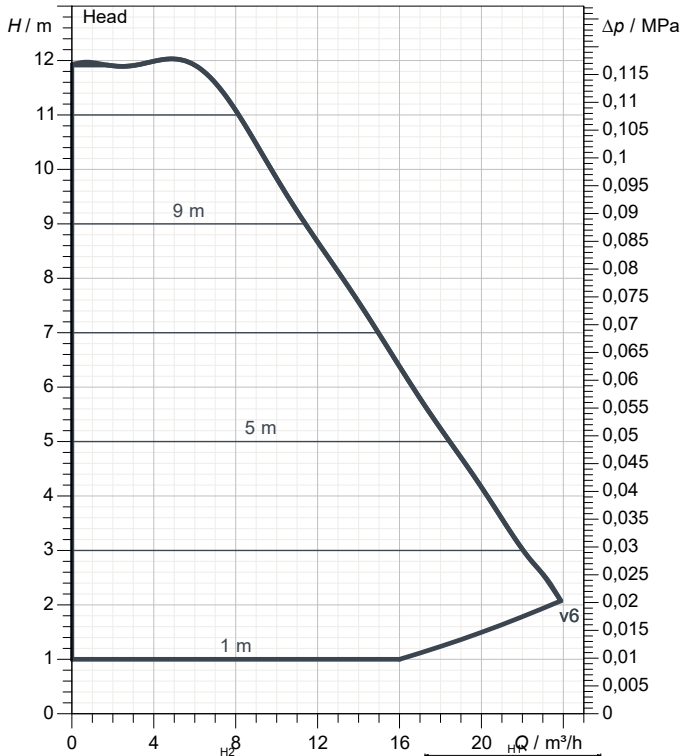
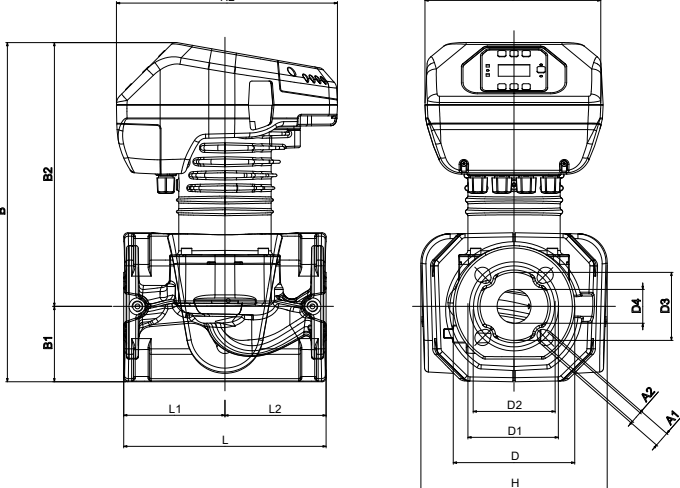


Receiver		From																																																																			
Society																																																																					
Reference																																																																					
Address																																																																					
Phone																																																																					
Fax																																																																					
E-mail																																																																					
<b>Item n° :</b> 60150967 <b>Model :</b> EVOPLUS B 120/250.40 M <b>Customer pos. no.:</b>		<b>Curve tolerance according to ISO 9906</b>																																																																			
<b>Pump data</b> Pressure rating : 1,6 MPa Min. fluid temperature : -10 °C Max. fluid temperature : 110 °C EEI : ≤ 0,20																																																																					
<b>Minimun suction head :</b> Temperature °C 90 100 Minimun suction head : m 20 25																																																																					
<b>Requested data</b> Flow : Head : Fluid (%) : Fluid Temperature : 20 °C Density : 998,3 kg/m³ Kinematic viscosity : 1,005 mm²/s Vapor pressure : 0,00 MPa																																																																					
<b>Hydraulic data (duty point)</b> Flow : Head :																																																																					
<b>Materials</b> Pump body : Cast iron 250 UNI ISO 185 - CTF Impeller : Technopolymer Motor shaft : Stainless steel Seal ring : EPDM Motor casing : Die cast aluminium Closing flange : Stainless steel Thrust ring support : Stainless steel																																																																					
<b>Motor data</b>		<b>Dimensions in mm</b>																																																																			
Motor brand : DAB Power input P1 : 0,4651 kW Rated voltage : 1~ 220-240 V 50 Hz Nominal current : 2,2 A Degree of protection : IP 44		<table border="1"> <tr> <td>A1</td><td>19</td><td>D1</td><td>110</td><td>H2</td><td>273</td><td></td><td></td><td></td><td></td></tr> <tr> <td>A2</td><td>14</td><td>D2</td><td>100</td><td>L</td><td>250</td><td></td><td></td><td></td><td></td></tr> <tr> <td>B</td><td>419</td><td>D3</td><td>84</td><td>L1</td><td>125</td><td></td><td></td><td></td><td></td></tr> <tr> <td>B1</td><td>93</td><td>D4</td><td>42</td><td>L2</td><td>125</td><td></td><td></td><td></td><td></td></tr> <tr> <td>B2</td><td>326</td><td>H</td><td>230</td><td></td><td></td><td></td><td></td><td></td><td></td></tr> <tr> <td>D</td><td>150</td><td>H1</td><td>220</td><td></td><td></td><td></td><td></td><td></td><td></td></tr> </table>								A1	19	D1	110	H2	273					A2	14	D2	100	L	250					B	419	D3	84	L1	125					B1	93	D4	42	L2	125					B2	326	H	230							D	150	H1	220						
A1	19	D1	110	H2	273																																																																
A2	14	D2	100	L	250																																																																
B	419	D3	84	L1	125																																																																
B1	93	D4	42	L2	125																																																																
B2	326	H	230																																																																		
D	150	H1	220																																																																		
		<b>Weight :</b> 20 kg																																																																			
		<b>Pump connection</b>																																																																			
		Suction side : DN 40 / PN6, PN10, PN16 Discharge side : DN 40 / PN6, PN10, PN16																																																																			

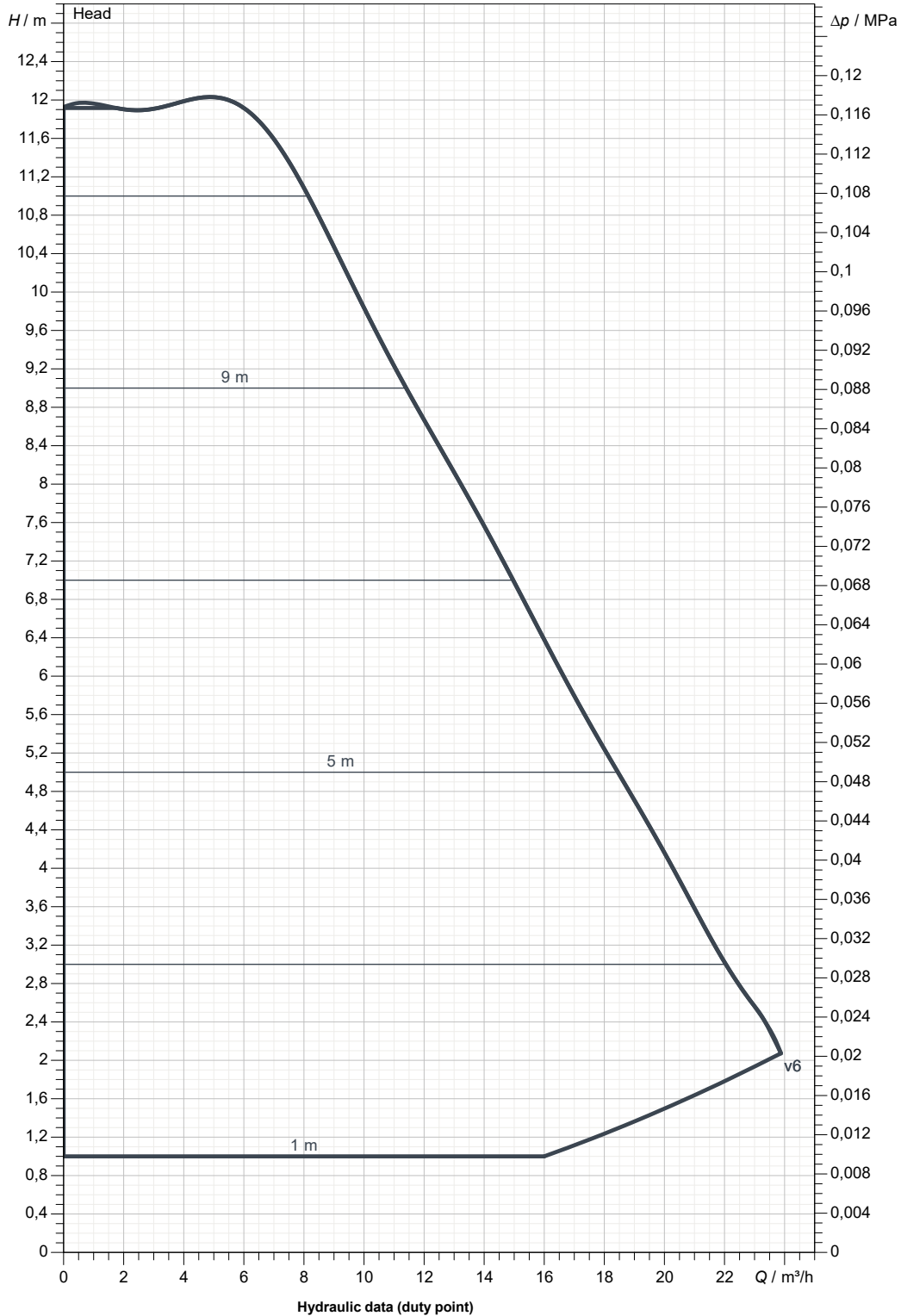
Receiver

From

 Society  
 Reference  
 Address  
 Phone  
 Fax  
 E-mail

**EVOPLUS B 120/250.40 M**

Curve tolerance according to ISO 9906


 Suction side :  
 DN 40  
 PN6, PN10, PN16

 Discharge side :  
 DN 40  
 PN6, PN10, PN16

Flow :

Head :

 Rated speed :  
 2.900 1/min

MAIN\_PROJECT\_TITLE

BUSINESS\_PROCESS\_ID

OWNER\_

 ISSUE\_DATE  
**2023-02-06**



# DIMENSIONAL DRAWING

DAB PUMPS S.p.A.  
Via Marco Polo, 14 - 35035 Mestrino (PD), Italy  
Tel. +39 049 5125000 - Fax +39 049 5125950  
www.dabpumps.com

2023-02-06

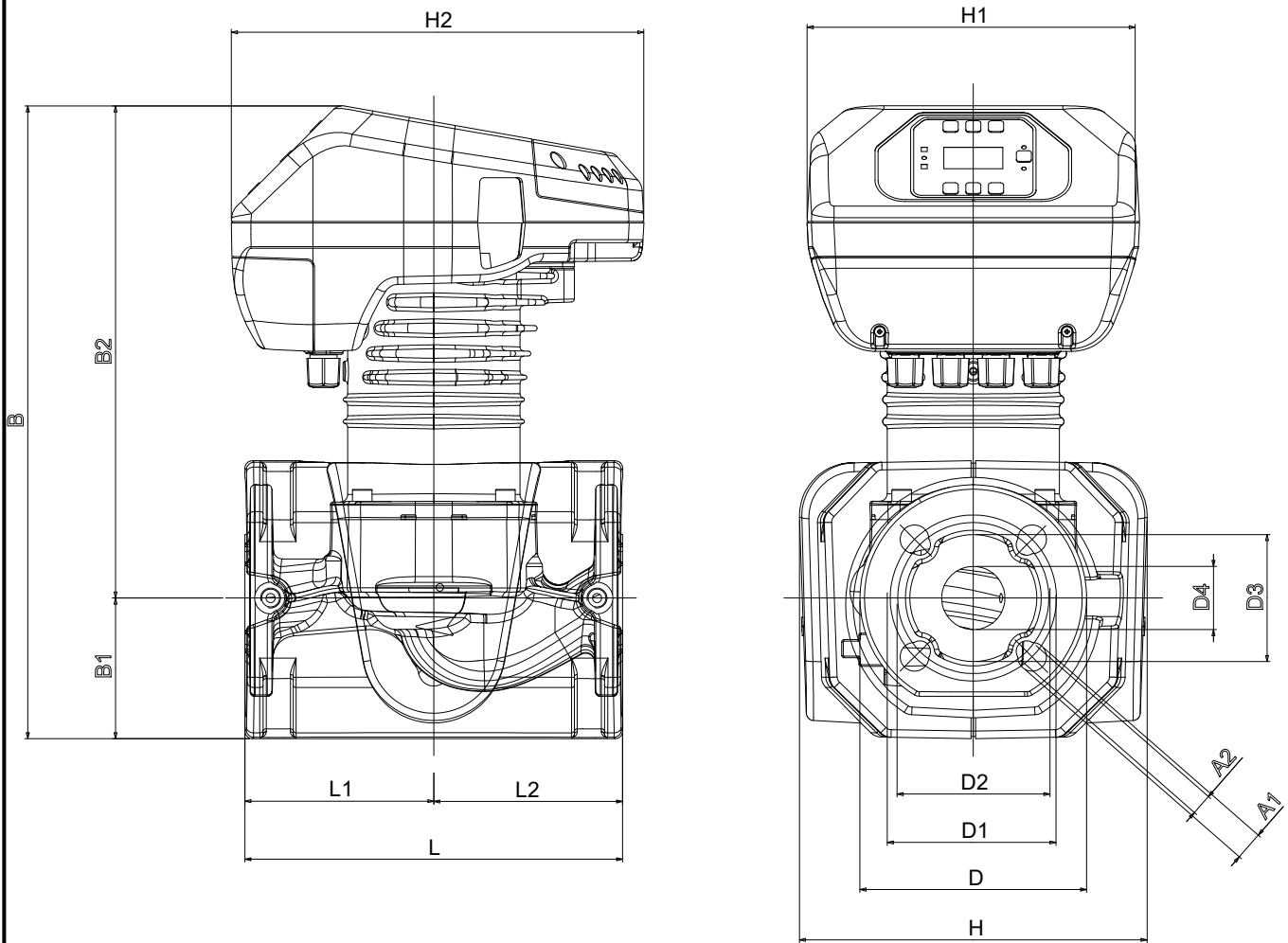
Page 3 / 3

Receiver

From

Society  
Reference  
Address  
Phone  
Fax  
E-mail

## EVOPLUS B 120/250.40 M



Dimensions in mm					Pump connection	
1	A1	19	H1	220	Suction DN 40 PN6, PN10, PN16  Discharge DN 40 PN6, PN10, PN16	
2	A2	14	H2	273		
3	B	419	L	250		
4	B1	93	L1	125		
5	B2	326	L2	125		
6	D	150				
7	D1	110				
8	D2	100				
9	D3	84				
10	D4	42				
11	H	230				

MAIN_PROJECT_TITLE	BUSINESS_PROCESS_ID	OWNER	ISSUE_DATE <b>2023-02-06</b>
--------------------	---------------------	-------	---------------------------------