

### Receiver

### From

Society  
Reference  
Address  
Phone  
Fax  
E-mail

**Item n° :** 60150968  
**Customer pos. no.:**  
**Model :** EVOPLUS B 150/250.40 M

#### Pump data

Pressure rating : 1,6 MPa  
Min. fluid temperature : -10 °C  
Max. fluid temperature : 110 °C  
EEI : ≤ 0,20

#### Minimum suction head :

Temperature °C 90 100  
Minimum suction head : m 20 25

#### Requested data

Flow :  
Head :  
Fluid (%) :  
Fluid Temperature : 20 °C  
Density : 998,3 kg/m<sup>3</sup>  
Kinematic viscosity : 1,005 mm<sup>2</sup>/s  
Vapor pressure : 0,00 MPa

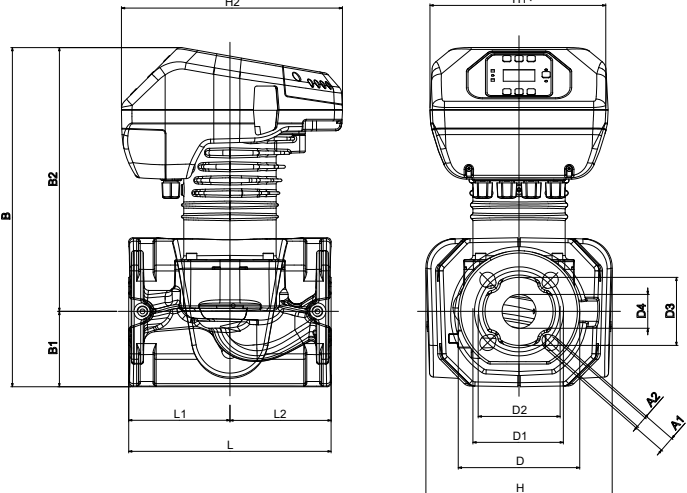
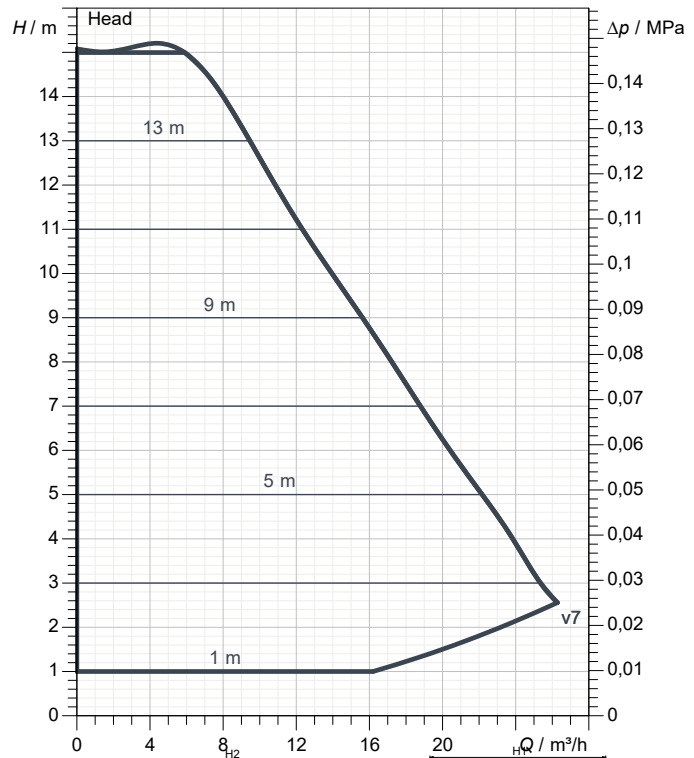
#### Hydraulic data (duty point)

Flow :  
Head :

#### Materials

Pump body : Cast iron 250 UNI ISO 185 - CTF  
Impeller : Technopolymer  
Motor shaft : Stainless steel  
Seal ring : EPDM  
Motor casing : Die cast aluminium  
Closing flange : Stainless steel  
Thrust ring support : Stainless steel

Curve tolerance according to ISO 9906



#### Motor data

Motor brand : DAB  
Power input P1 : 0,61 kW  
Rated voltage : 1~ 220-240 V 50 Hz  
Nominal current : 2,9 A  
Degree of protection : IP 44

#### Dimensions in mm

A1	19	D1	110	H2	273		
A2	14	D2	100	L	250		
B	419	D3	84	L1	125		
B1	93	D4	42	L2	125		
B2	326	H	230				
D	150	H1	220				

**Weight :** 20 kg

#### Pump connection

Suction side : DN 40 / PN6, PN10, PN16  
Discharge side : DN 40 / PN6, PN10, PN16



WATER • TECHNOLOGY

# PERFORMANCE CURVES

2023-02-06

Page 2 / 3

DAB PUMPS S.p.A.  
Via Marco Polo, 14 - 35035 Mestrino (PD), Italy  
Tel. +39 049 5125000 - Fax +39 049 5125950  
www.dabpumps.com

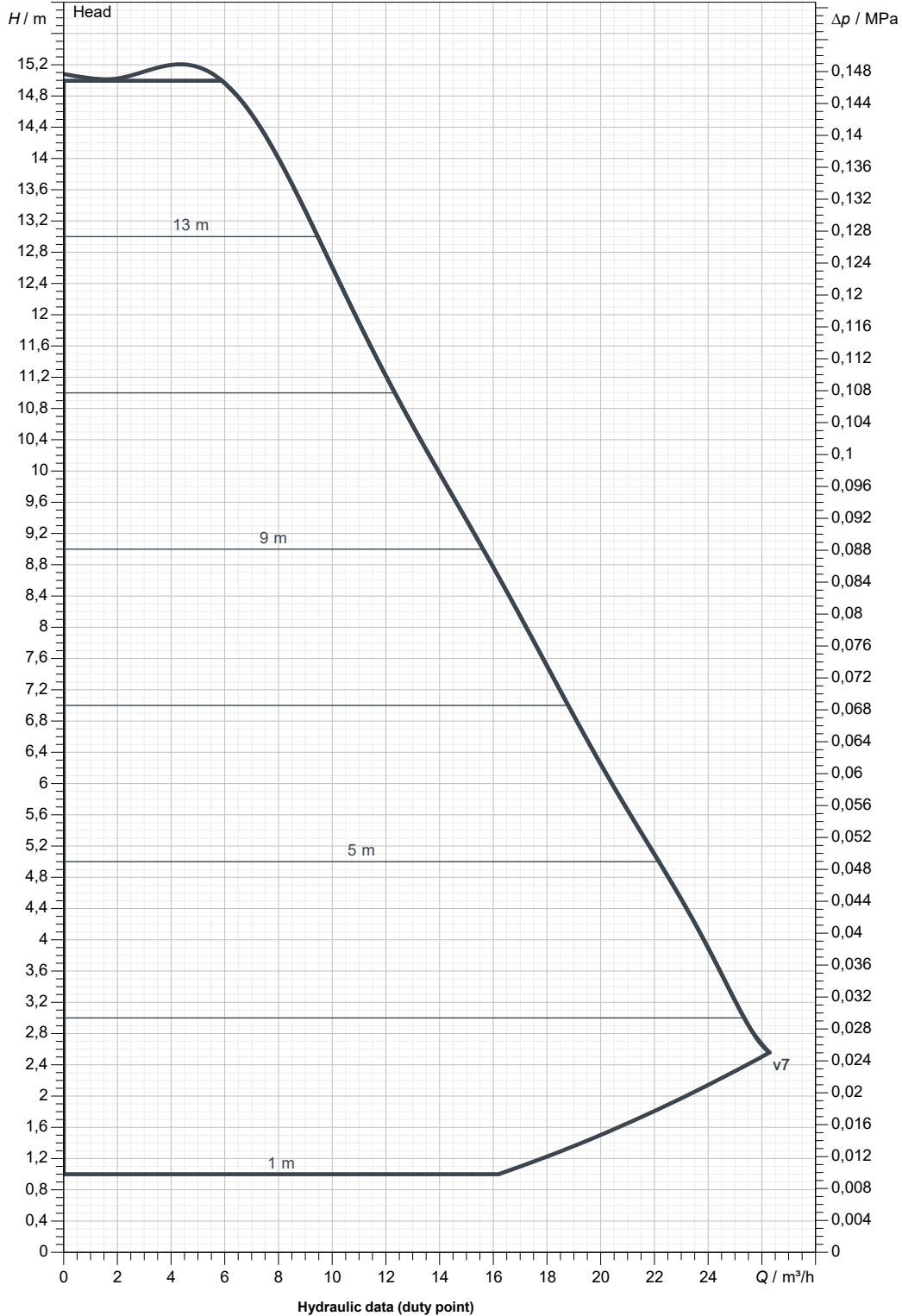
Receiver

From

Society  
Reference  
Address  
Phone  
Fax  
E-mail

## EVOPLUS B 150/250.40 M

Curve tolerance according to ISO 9906



Suction side :  
DN 40  
PN6, PN10, PN16

Discharge side :  
DN 40  
PN6, PN10, PN16

Flow :

Head :

Rated speed :  
2.900 1/min

MAIN\_PROJECT\_TITLE

BUSINESS\_PROCESS\_ID

OWNER\_

ISSUE\_DATE  
2023-02-06



# DIMENSIONAL DRAWING

2023-02-06

Page 3 / 3

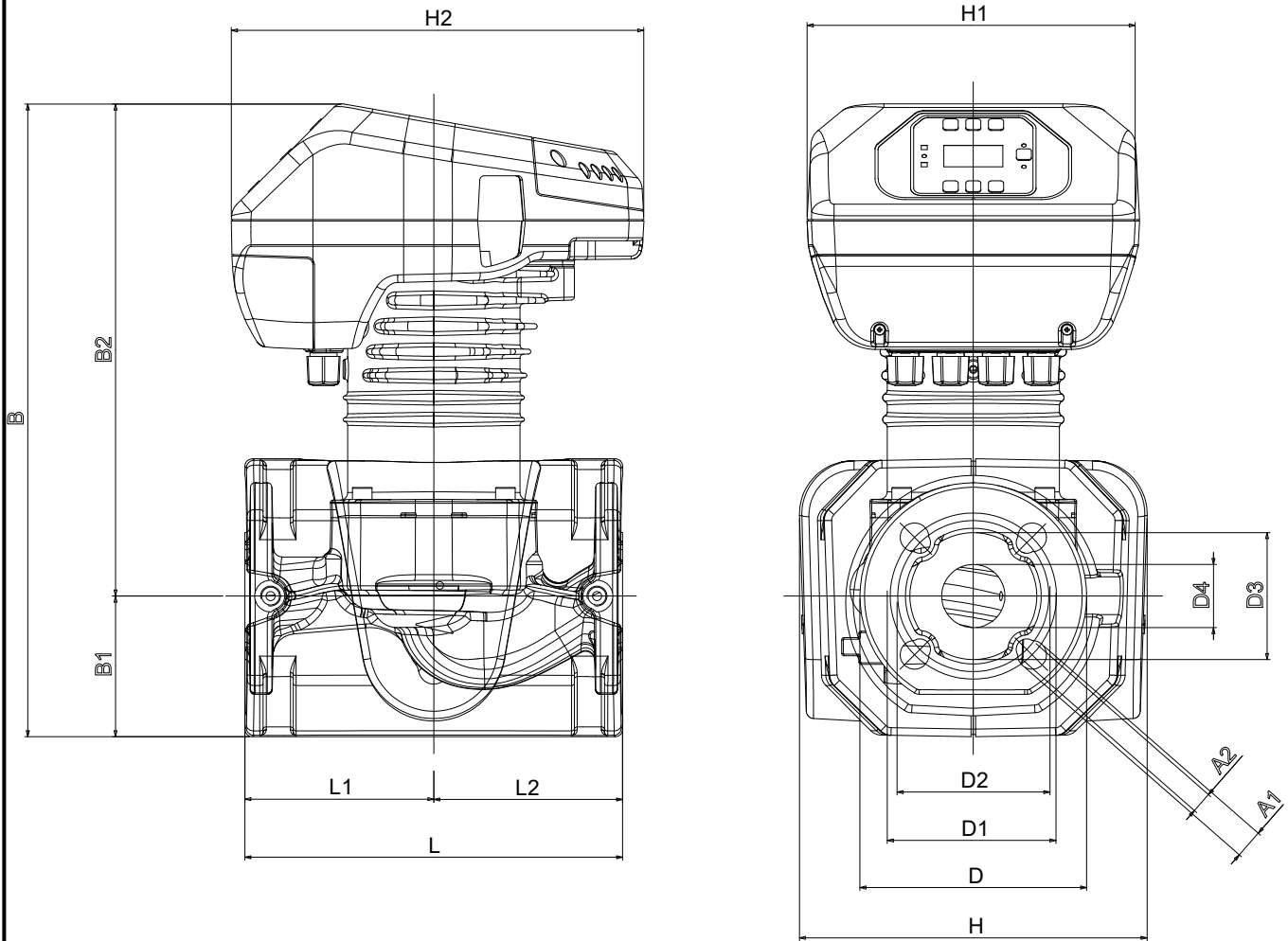
DAB PUMPS S.p.A.  
Via Marco Polo, 14 - 35035 Mestrino (PD), Italy  
Tel. +39 049 5125000 - Fax +39 049 5125950  
www.dabpumps.com

Receiver

From

Society  
Reference  
Address  
Phone  
Fax  
E-mail

## EVOPLUS B 150/250.40 M



Dimensions in mm					Pump connection	
1	A1	19	H1	220	Suction DN 40 PN6, PN10, PN16  Discharge DN 40 PN6, PN10, PN16	
2	A2	14	H2	273		
3	B	419	L	250		
4	B1	93	L1	125		
5	B2	326	L2	125		
6	D	150				
7	D1	110				
8	D2	100				
9	D3	84				
10	D4	42				
11	H	230				

MAIN_PROJECT_TITLE	BUSINESS_PROCESS_ID	OWNER	ISSUE_DATE <b>2023-02-06</b>
--------------------	---------------------	-------	---------------------------------