

Receiver

From

Society
Reference
Address
Phone
Fax
E-mail

Item n° : Customer pos. no.:
60150970
Model :
EVOPLUS B 40/240.50 M

Pump data
Pressure rating : 1,6 MPa
Min. fluid temperature : -10 °C
Max. fluid temperature : 110 °C
EEI : ≤ 0,20

Minimum suction head :
Temperature °C 90 100
Minimum suction head : m 20 25

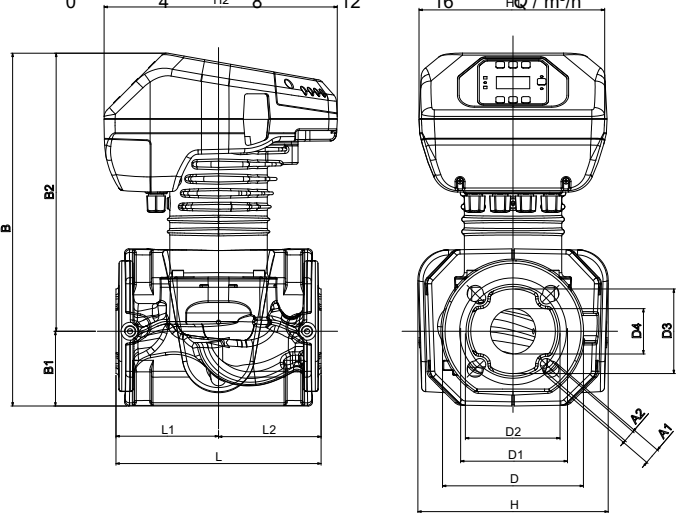
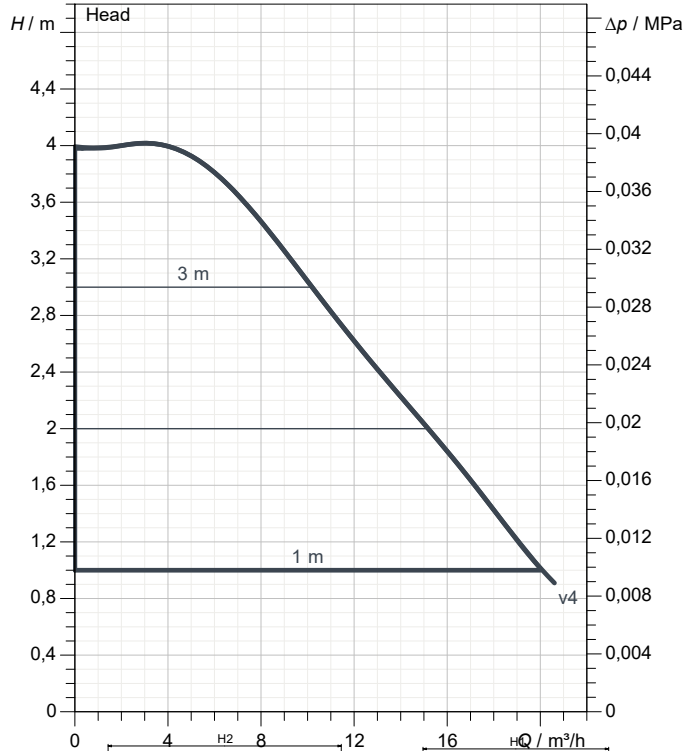
Requested data
Flow :
Head :
Fluid (%) :
Fluid Temperature : 20 °C
Density : 998,3 kg/m³
Kinematic viscosity : 1,005 mm²/s
Vapor pressure : 0,00 MPa

Hydraulic data (duty point)
Flow :
Head :

Materials
Pump body : Cast iron 250 UNI ISO 185 - CTF
Impeller : Technopolymer
Motor shaft : Stainless steel
Seal ring : EPDM
Motor casing : Die cast aluminium
Closing flange : Stainless steel
Thrust ring support : Stainless steel

Motor data
Motor brand : DAB
Power input P1 : 0,14 kW
Rated voltage : 1~ 220-240 V 50 Hz
Nominal current : 0,87 A
Degree of protection : IP 44

Curve tolerance according to ISO 9906



Dimensions in mm	
A1	19
A2	14
B	413
B1	87
B2	325
D	165
D1	125
D2	110
D3	99
D4	53
H	222
H1	220
H2	273
L	240
L1	120
L2	120
Weight : 21,4 kg	
Pump connection	
Suction side :	DN 50 / PN6, PN10, PN16
Discharge side :	DN 50 / PN6, PN10, PN16



PERFORMANCE CURVES

DAB PUMPS S.p.A.
Via Marco Polo, 14 - 35035 Mestrino (PD), Italy
Tel. +39 049 5125000 - Fax +39 049 5125950
www.dabpumps.com

2023-02-06

Page 2 / 3

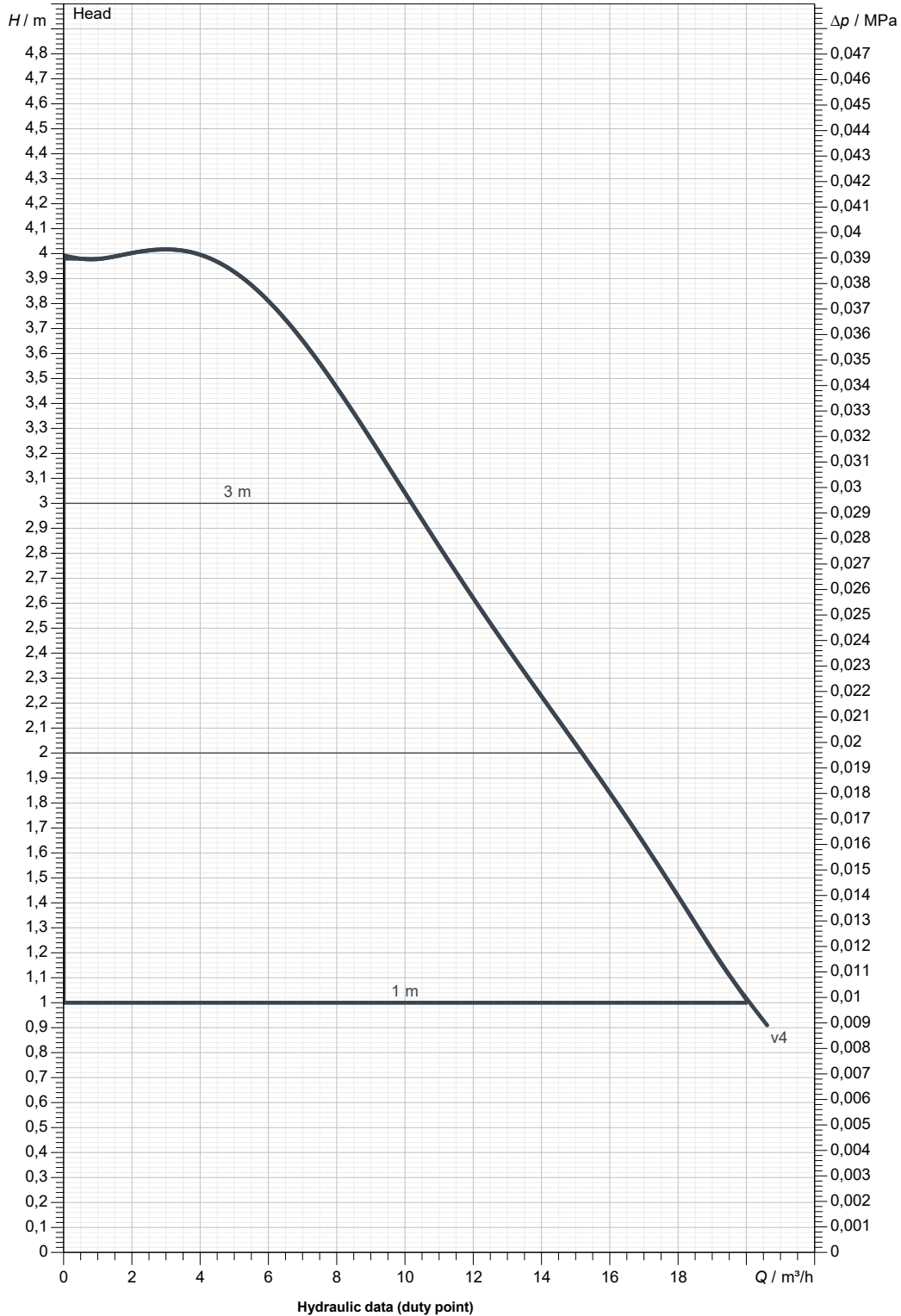
Receiver

From

Society
Reference
Address
Phone
Fax
E-mail

EVOPLUS B 40/240.50 M

Curve tolerance according to ISO 9906



Suction side :
DN 50
PN6, PN10, PN16

Discharge side :
DN 50
PN6, PN10, PN16

Flow :

Head :

Rated speed :
2.900 1/min

MAIN_PROJECT_TITLE

BUSINESS_PROCESS_IC

OWNER_

ISSUE_DATE
2023-02-06



DIMENSIONAL DRAWING

2023-02-0€

Page 3 / 3

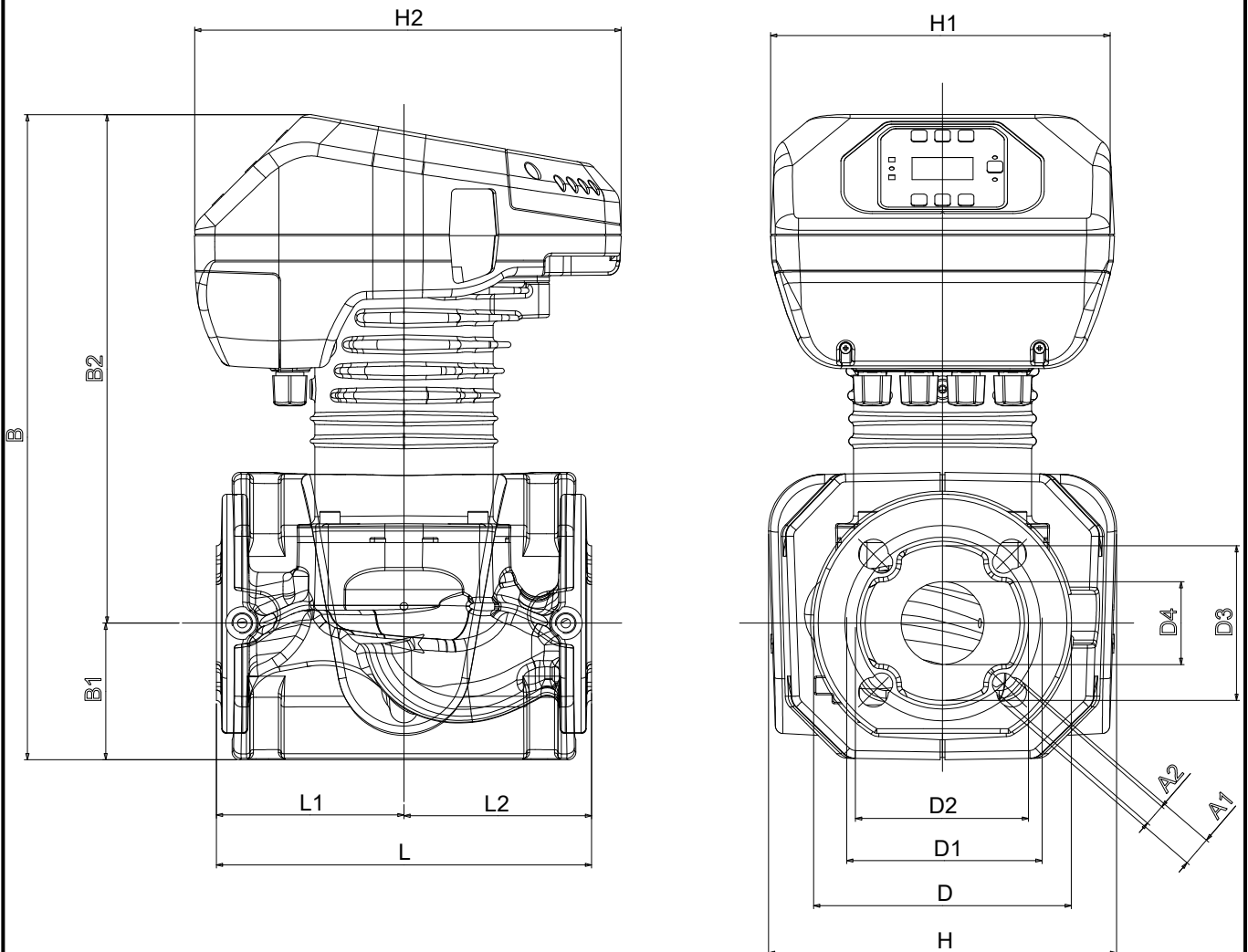
DAB PUMPS S.p.A.
Via Marco Polo, 14 - 35035 Mestrino (PD), Italy
Tel. +39 049 5125000 - Fax +39 049 5125950
www.dabpumps.com

Receiver

From

Society
Reference
Address
Phone
Fax
E-mail

EVOPLUS B 40/240.50 M



Dimensions in mm					Pump connection	
1	A1	19	H1	220	Suction DN 50 PN6, PN10, PN16 Discharge DN 50 PN6, PN10, PN16	
2	A2	14	H2	273		
3	B	413	L	240		
4	B1	87	L1	120		
5	B2	325	L2	120		
6	D	165				
7	D1	125				
8	D2	110				
9	D3	99				
10	D4	53				
11	H	222				

MAIN_PROJECT_TITLE	BUSINESS_PROCESS_ID	OWNER	ISSUE_DATE 2023-02-06
--------------------	---------------------	-------	--------------------------