

### Receiver

Society  
Reference  
Address  
Phone  
Fax  
E-mail

### From

**Item n° :**  
60150971  
**Customer pos. no.:**  
**Model :**  
EVOPLUS B 60/240.50 M

**Pump data**  
Pressure rating : 1,6 MPa  
Min. fluid temperature : -10 °C  
Max. fluid temperature : 110 °C  
EEI : ≤ 0,20

**Minimum suction head :**  
Temperature °C 90 100  
Minimum suction head : m 20 25

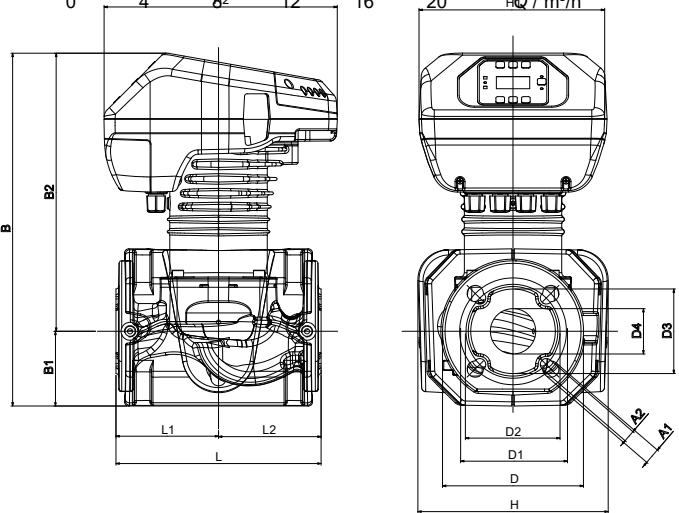
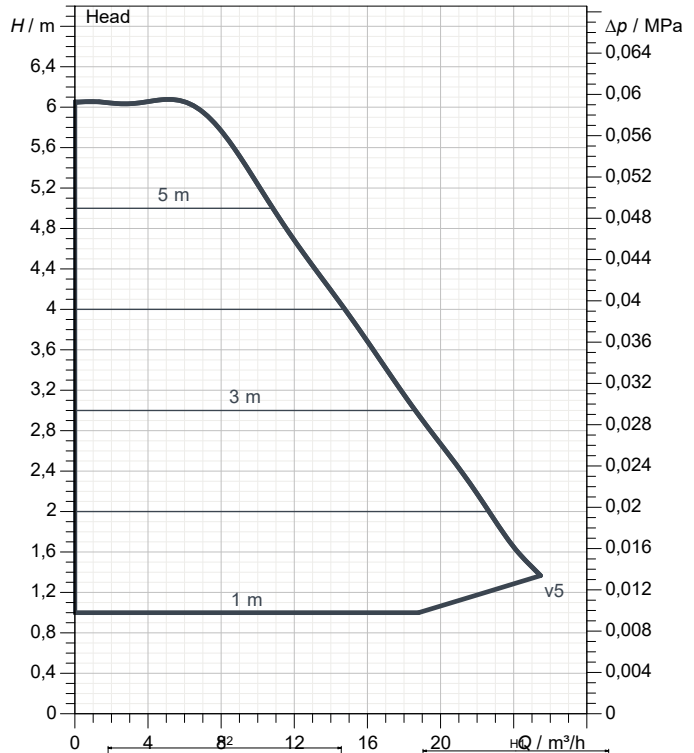
**Requested data**  
Flow :  
Head :  
Fluid (%) :  
Fluid Temperature : 20 °C  
Density : 998,3 kg/m<sup>3</sup>  
Kinematic viscosity : 1,005 mm<sup>2</sup>/s  
Vapor pressure : 0,00 MPa

**Hydraulic data (duty point)**  
Flow :  
Head :

**Materials**  
Pump body : Cast iron 250 UNI ISO 185 - CTF  
Impeller : Technopolymer  
Motor shaft : Stainless steel  
Seal ring : EPDM  
Motor casing : Die cast aluminium  
Closing flange : Stainless steel  
Thrust ring support : Stainless steel

**Motor data**  
Motor brand : DAB  
Power input P1 : 0,26 kW  
Rated voltage : 1~ 220-240 V 50 Hz  
Nominal current : 1,35 A  
Degree of protection : IP 44

Curve tolerance according to ISO 9906



Dimensions in mm	
A1	19
A2	14
B	413
B1	87
B2	325
D	165
D1	125
D2	110
D3	99
D4	53
H	222
H1	220
H2	273
L	240
L1	120
L2	120
<b>Weight :</b> 21,4 kg	
<b>Pump connection</b>	
Suction side :	DN 50 / PN6, PN10, PN16
Discharge side :	DN 50 / PN6, PN10, PN16



# PERFORMANCE CURVES

2023-02-06

Page 2 / 3

DAB PUMPS S.p.A.  
Via Marco Polo, 14 - 35035 Mestrino (PD), Italy  
Tel. +39 049 5125000 - Fax +39 049 5125950  
www.dabpumps.com

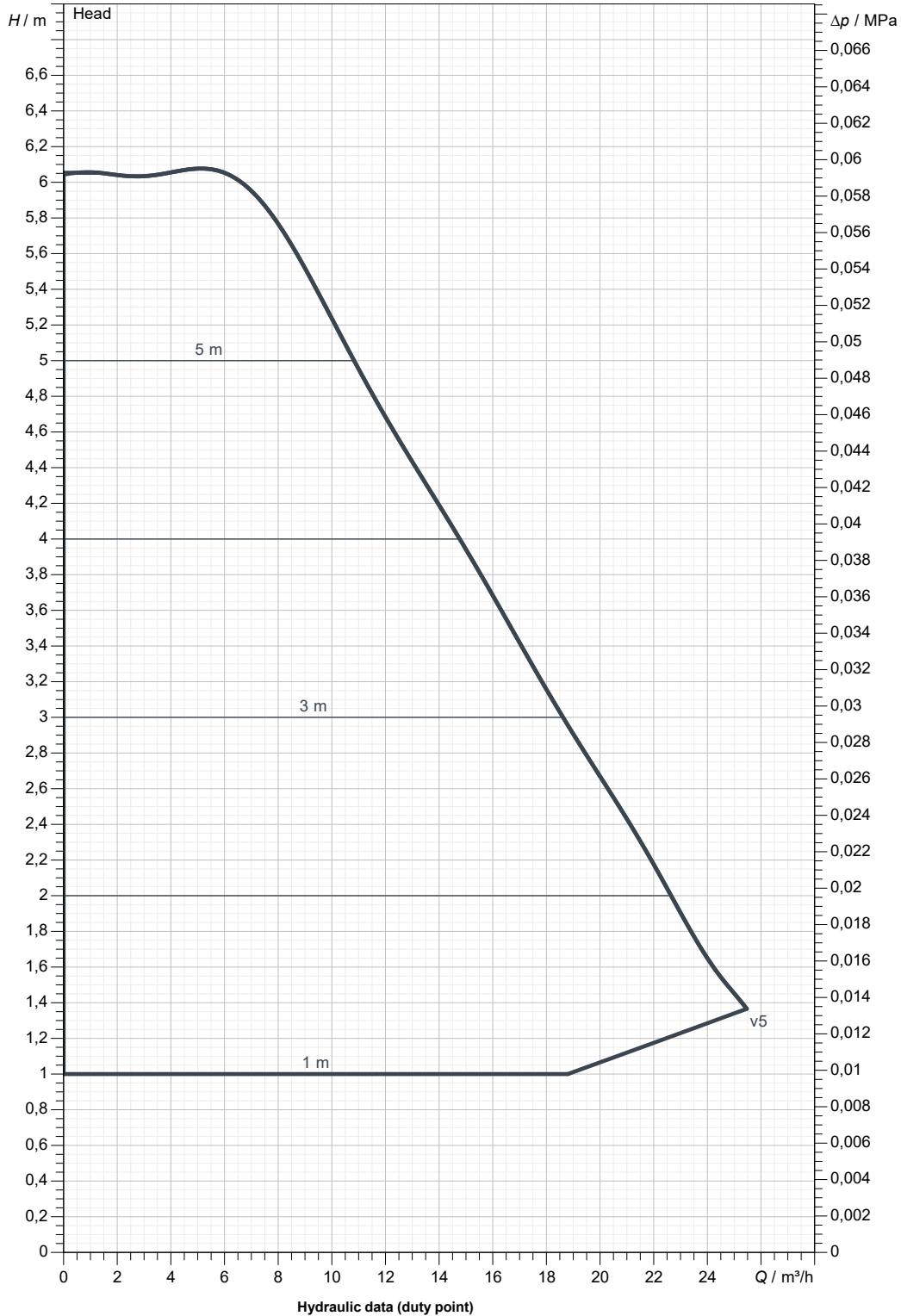
Receiver

From

Society  
Reference  
Address  
Phone  
Fax  
E-mail

## EVOPLUS B 60/240.50 M

Curve tolerance according to ISO 9906



Suction side :  
DN 50  
PN6, PN10, PN16

Discharge side :  
DN 50  
PN6, PN10, PN16

Flow :

Head :

Rated speed :  
2.900 1/min

MAIN\_PROJECT\_TITLE

BUSINESS\_PROCESS\_ID

OWNER\_

ISSUE\_DATE  
2023-02-06



# DIMENSIONAL DRAWING

DAB PUMPS S.p.A.  
Via Marco Polo, 14 - 35035 Mestrino (PD), Italy  
Tel. +39 049 5125000 - Fax +39 049 5125950  
www.dabpumps.com

2023-02-0€

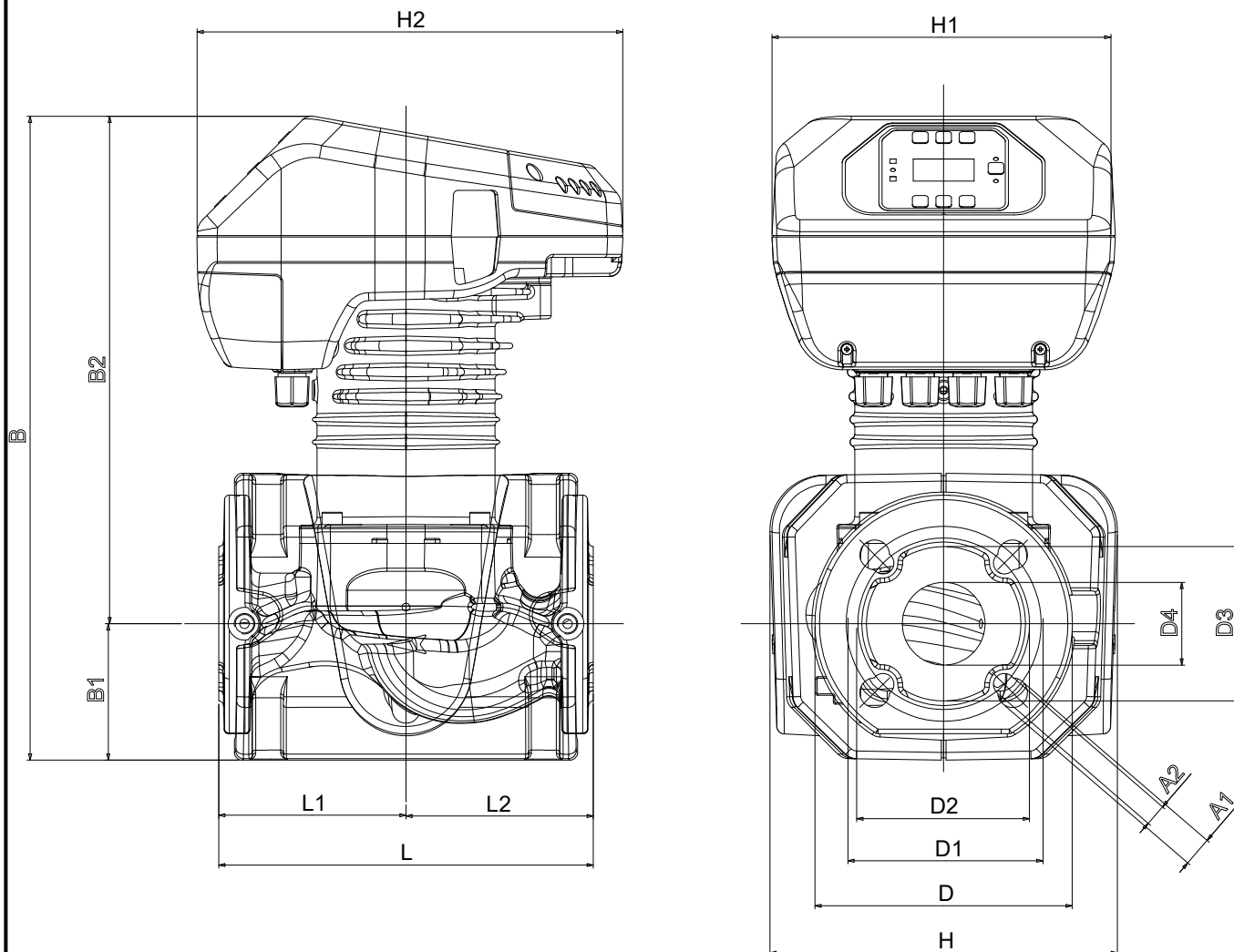
Page 3 / 3

Receiver

From

Society  
Reference  
Address  
Phone  
Fax  
E-mail

## EVOPLUS B 60/240.50 M



**Dimensions in mm**

**Pump connection**

1	A1	19	H1	220			
2	A2	14	H2	273			
3	B	413	L	240			
4	B1	87	L1	120			
5	B2	325	L2	120			
6	D	165					
7	D1	125					
8	D2	110					
9	D3	99					
10	D4	53					
11	H	222					

Suction  
DN 50  
PN6, PN10, PN16

Discharge  
DN 50  
PN6, PN10, PN16

MAIN_PROJECT_TITLE	BUSINESS_PROCESS_ID	OWNER	ISSUE_DATE <b>2023-02-06</b>
--------------------	---------------------	-------	---------------------------------