

**Receiver**

**From**

Society  
Reference  
Address  
Phone  
Fax  
E-mail

**Item n° :** 60150972  
**Customer pos. no.:**  
**Model :** EVOPLUS B 80/240.50 M

**Pump data**  
Pressure rating : 1,6 MPa  
Min. fluid temperature : -10 °C  
Max. fluid temperature : 110 °C  
EEI : ≤ 0,20

**Minimum suction head :**  
Temperature °C 90 100  
Minimum suction head : m 20 25

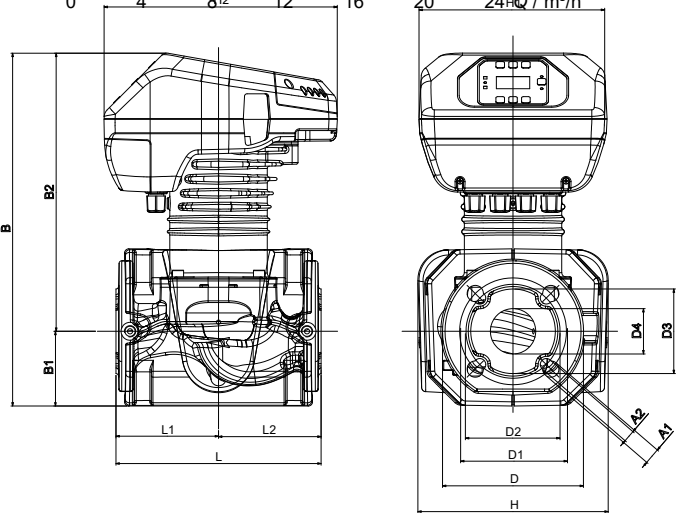
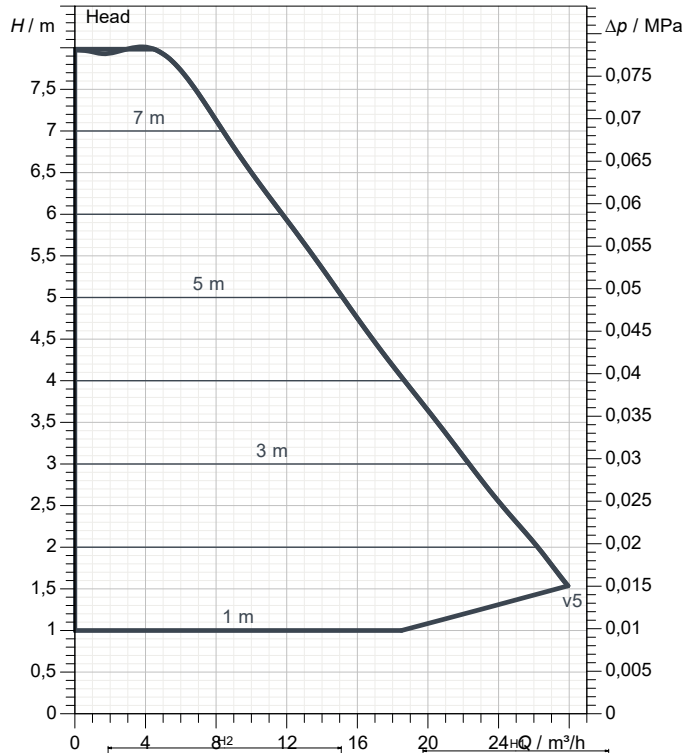
**Requested data**  
Flow :  
Head :  
Fluid (%) :  
Fluid Temperature : 20 °C  
Density : 998,3 kg/m³  
Kinematic viscosity : 1,005 mm²/s  
Vapor pressure : 0,00 MPa

**Hydraulic data (duty point)**  
Flow :  
Head :

**Materials**  
Pump body : Cast iron 250 UNI ISO 185 - CTF  
Impeller : Technopolymer  
Motor shaft : Stainless steel  
Seal ring : EPDM  
Motor casing : Die cast aluminium  
Closing flange : Stainless steel  
Thrust ring support : Stainless steel

**Motor data**  
Motor brand : DAB  
Power input P1 : 0,33 kW  
Rated voltage : 1~ 220-240 V 50 Hz  
Nominal current : 1,7 A  
Degree of protection : IP 44

**Curve tolerance according to ISO 9906**



Dimensions in mm	
A1	19
A2	14
B	413
B1	87
B2	325
D	165
D1	125
D2	110
D3	99
D4	53
H	222
H1	220
H2	273
L	240
L1	120
L2	120
<b>Weight :</b> 21,4 kg	
<b>Pump connection</b>	
Suction side :	DN 50 / PN6, PN10, PN16
Discharge side :	DN 50 / PN6, PN10, PN16



# PERFORMANCE CURVES

2023-02-06

Page 2 / 3

DAB PUMPS S.p.A.  
Via Marco Polo, 14 - 35035 Mestrino (PD), Italy  
Tel. +39 049 5125000 - Fax +39 049 5125950  
www.dabpumps.com

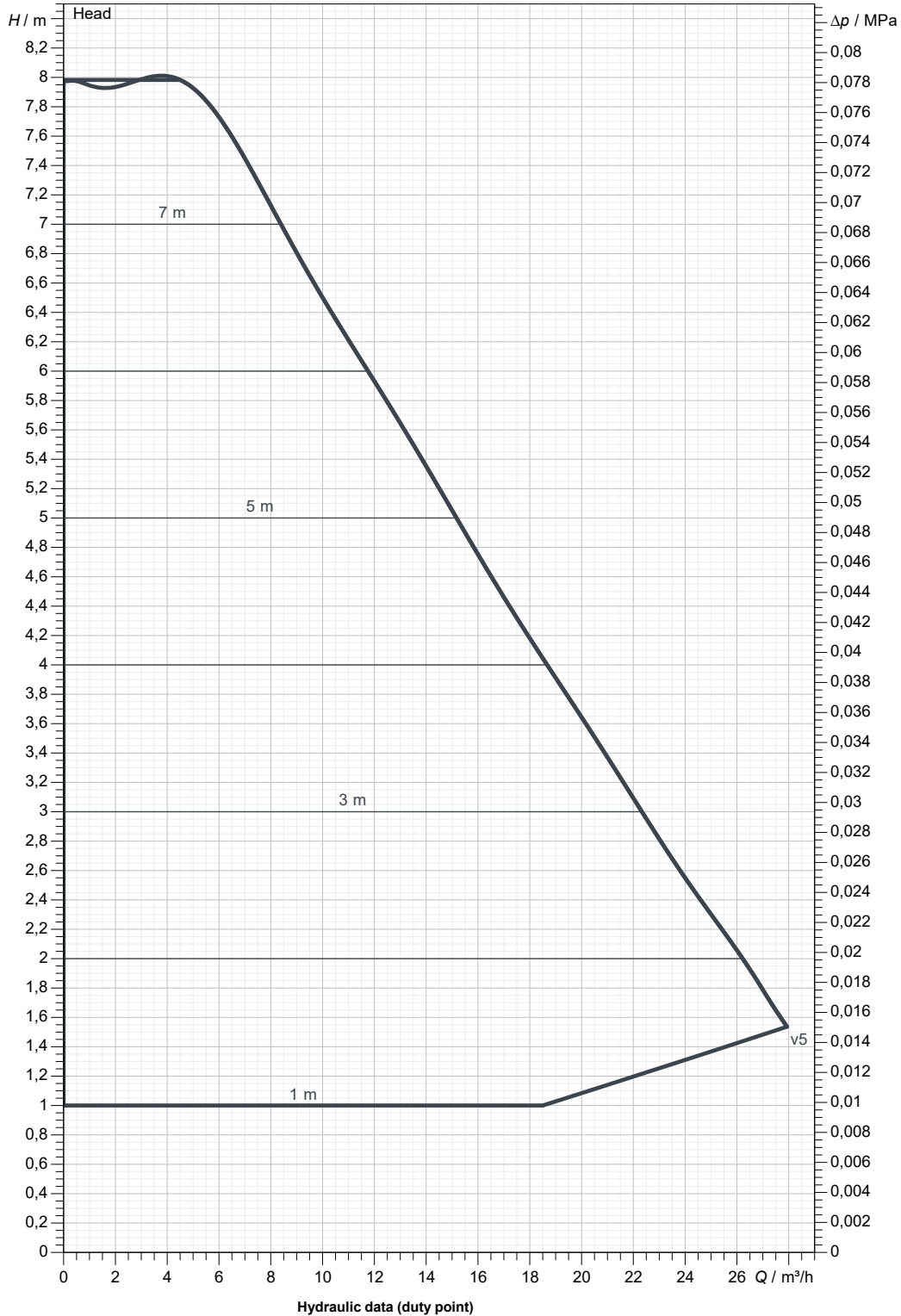
Receiver

From

Society  
Reference  
Address  
Phone  
Fax  
E-mail

## EVOPLUS B 80/240.50 M

Curve tolerance according to ISO 9906



Hydraulic data (duty point)

Suction side : DN 50 PN6, PN10, PN16	Discharge side : DN 50 PN6, PN10, PN16	Flow :	Head :	Rated speed : 2.900 1/min
MAIN_PROJECT_TITLE	BUSINESS_PROCESS_IC	OWNER_	ISSUE_DATE 2023-02-06	



# DIMENSIONAL DRAWING

2023-02-06

Page 3 / 3

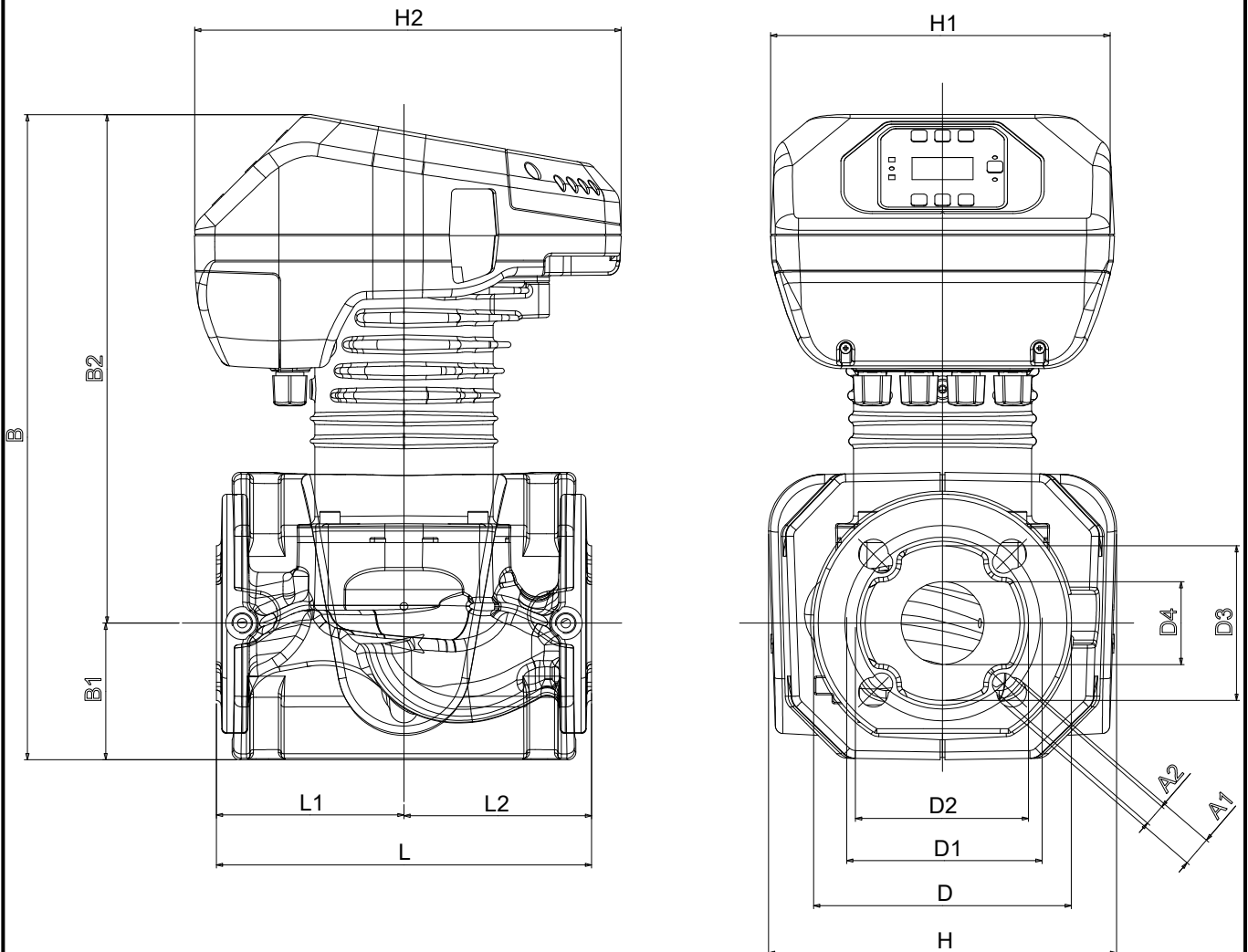
DAB PUMPS S.p.A.  
Via Marco Polo, 14 - 35035 Mestrino (PD), Italy  
Tel. +39 049 5125000 - Fax +39 049 5125950  
www.dabpumps.com

Receiver

From

Society  
Reference  
Address  
Phone  
Fax  
E-mail

## EVOPLUS B 80/240.50 M



Dimensions in mm					Pump connection	
1	A1	19	H1	220	Suction DN 50 PN6, PN10, PN16  Discharge DN 50 PN6, PN10, PN16	
2	A2	14	H2	273		
3	B	413	L	240		
4	B1	87	L1	120		
5	B2	325	L2	120		
6	D	165				
7	D1	125				
8	D2	110				
9	D3	99				
10	D4	53				
11	H	222				

MAIN_PROJECT_TITLE	BUSINESS_PROCESS_ID	OWNER	ISSUE_DATE 2023-02-06
--------------------	---------------------	-------	--------------------------