

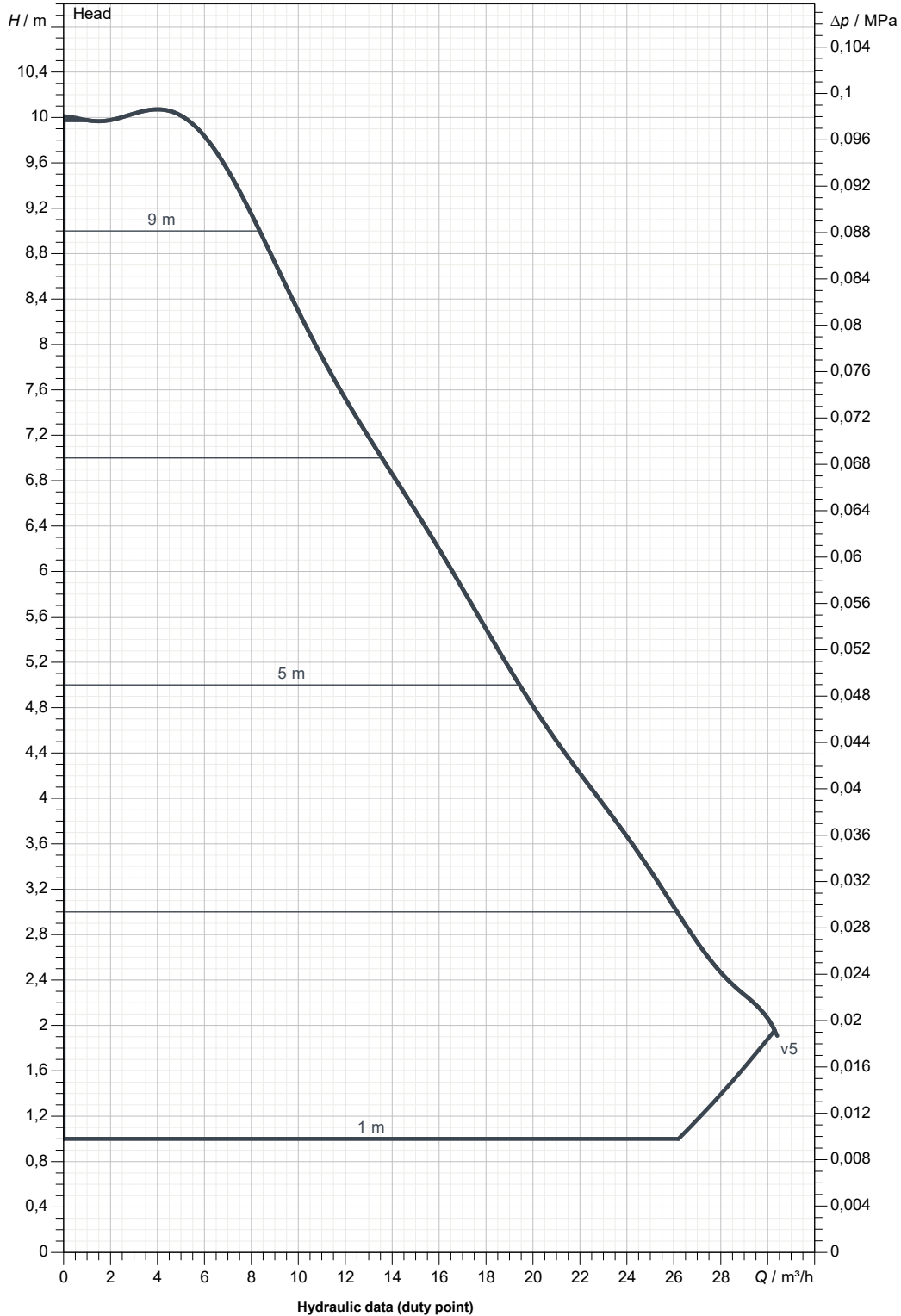
Receiver

From

 Society
 Reference
 Address
 Phone
 Fax
 E-mail

EVOPLUS B 100/280.50 M

Curve tolerance according to ISO 9906


 Suction side :
 DN 50
 PN6, PN10, PN16

 Discharge side :
 DN 50
 PN6, PN10, PN16

Flow :

Head :

 Rated speed :
 2.900 1/min

MAIN_PROJECT_TITLE

BUSINESS_PROCESS_ID

OWNER_

 ISSUE_DATE
2023-02-06



DIMENSIONAL DRAWING

2023-02-06

Page 3 / 3

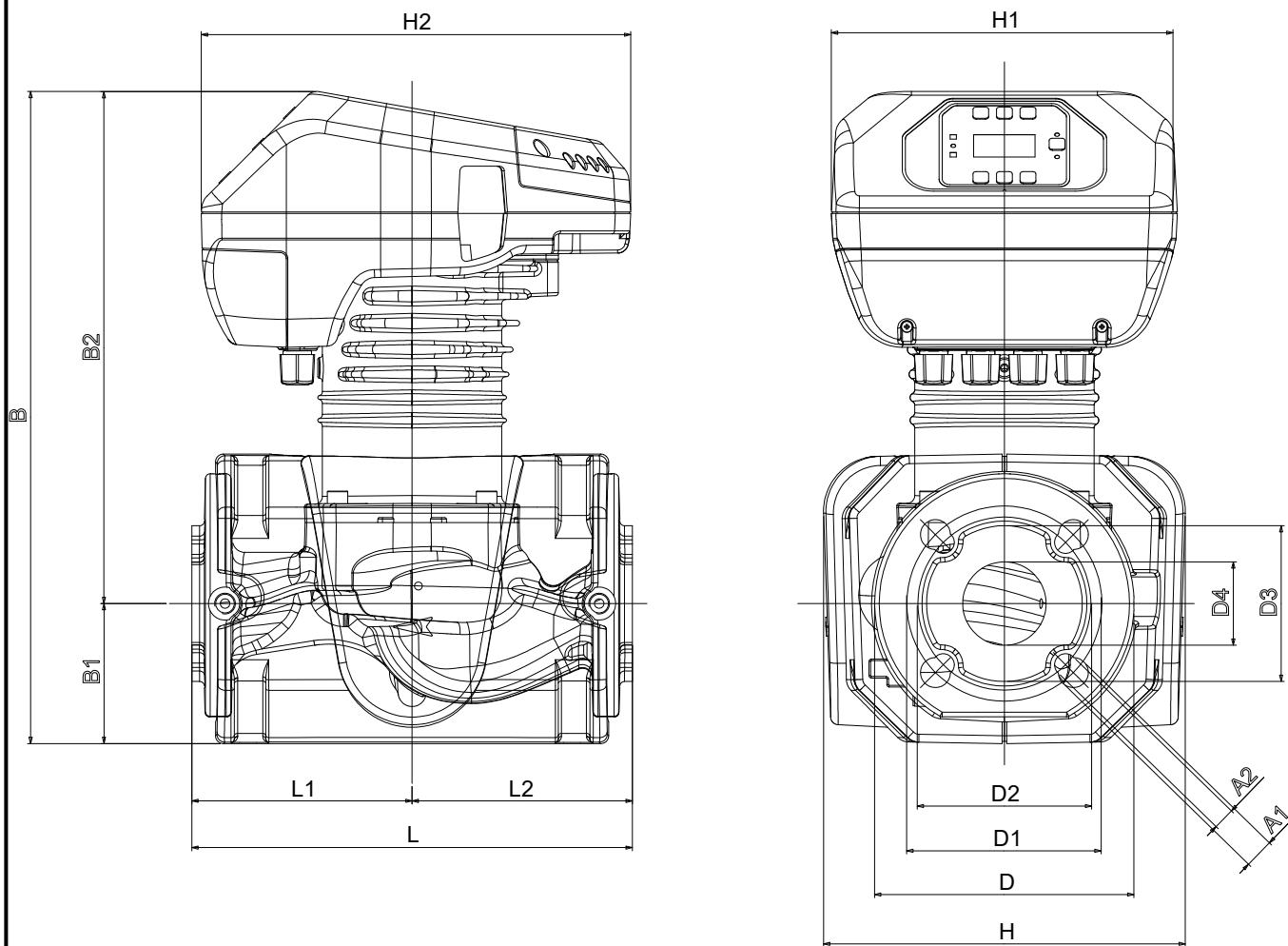
DAB PUMPS S.p.A.
Via Marco Polo, 14 - 35035 Mestrino (PD), Italy
Tel. +39 049 5125000 - Fax +39 049 5125950
www.dabpumps.com

Receiver

From

Society
Reference
Address
Phone
Fax
E-mail

EVOPLUS B 100/280.50 M



Dimensions in mm

Pump connection

1	A1	19	H1	220	Suction DN 50 PN6, PN10, PN16 Discharge DN 50 PN6, PN10, PN16
2	A2	14	H2	273	
3	B	413	L	280	
4	B1	87	L1	140	
5	B2	325	L2	140	
6	D	165			
7	D1	125			
8	D2	110			
9	D3	99			
10	D4	53			
11	H	230			

MAIN_PROJECT_TITLE	BUSINESS_PROCESS_ID	OWNER	ISSUE_DATE 2023-02-06
--------------------	---------------------	-------	--------------------------