

Receiver
From

 Society
 Reference
 Address
 Phone
 Fax
 E-mail

Item n° :
 60150974
Customer pos. no.:
 60150974
Model :
 EVOPLUS B 120/280.50 M

Pump data

 Pressure rating : 1,6 MPa
 Min. fluid temperature : -10 °C
 Max. fluid temperature : 110 °C
 EEI : ≤ 0,20

Minimum suction head :

 Temperature °C 90 100
 Minimum suction head : m 20 25

Requested data

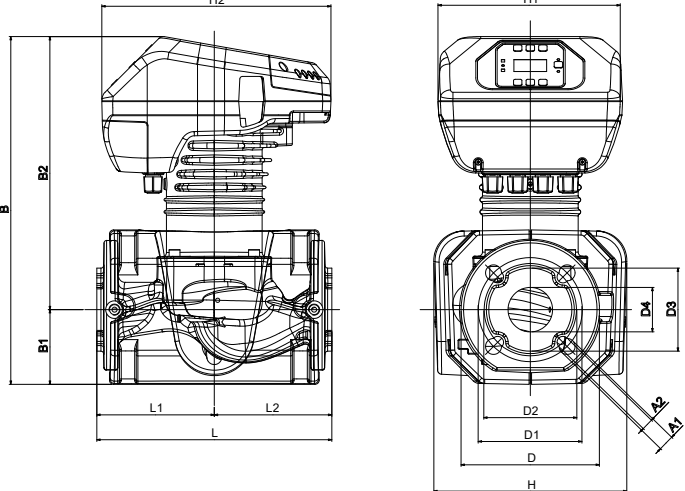
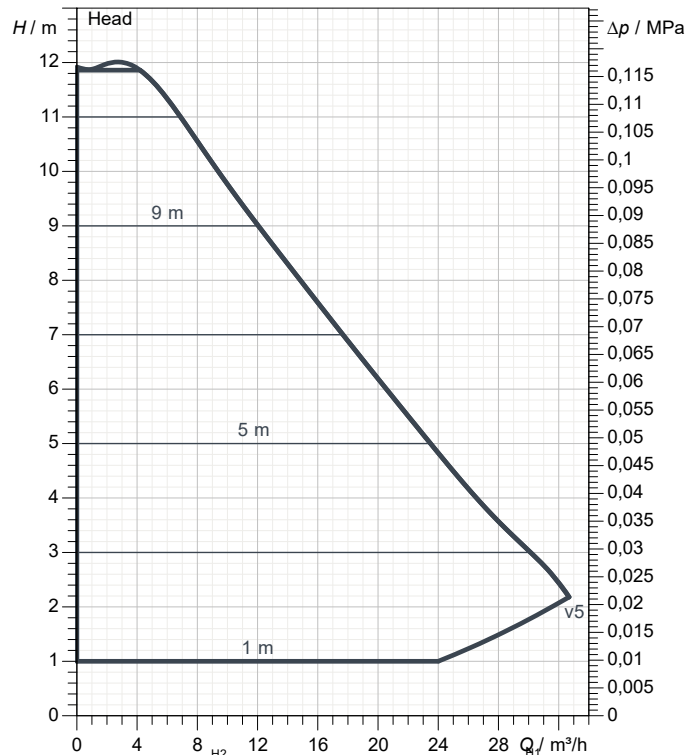
 Flow :
 Head :
 Fluid (%) :
 Fluid Temperature : 20 °C
 Density : 998,3 kg/m³
 Kinematic viscosity : 1,005 mm²/s
 Vapor pressure : 0,00 MPa

Hydraulic data (duty point)

 Flow :
 Head :

Materials

 Pump body Cast iron 250 UNI ISO 185 - CTF
 Impeller Technopolymer
 Motor shaft Stainless steel
 Seal ring EPDM
 Motor casing Die cast aluminium
 Closing flange Stainless steel
 Thrust ring support Stainless steel

Curve tolerance according to ISO 9906

Motor data

 Motor brand : DAB
 Power input P1 : 0,53 kW
 Rated voltage : 1~ 220-240 V 50 Hz
 Nominal current : 2,5 A
 Degree of protection : IP 44

Dimensions in mm

A1	19	D1	125	H2	273
A2	14	D2	110	L	280
B	413	D3	99	L1	140
B1	87	D4	53	L2	140
B2	325	H	230		
D	165	H1	220		

Weight : 21,8 kg

Pump connection

 Suction side : DN 50 / PN6, PN10, PN16
 Discharge side : DN 50 / PN6, PN10, PN16



PERFORMANCE CURVES

2023-02-06

Page 2 / 3

DAB PUMPS S.p.A.
Via Marco Polo, 14 - 35035 Mestrino (PD), Italy
Tel. +39 049 5125000 - Fax +39 049 5125950
www.dabpumps.com

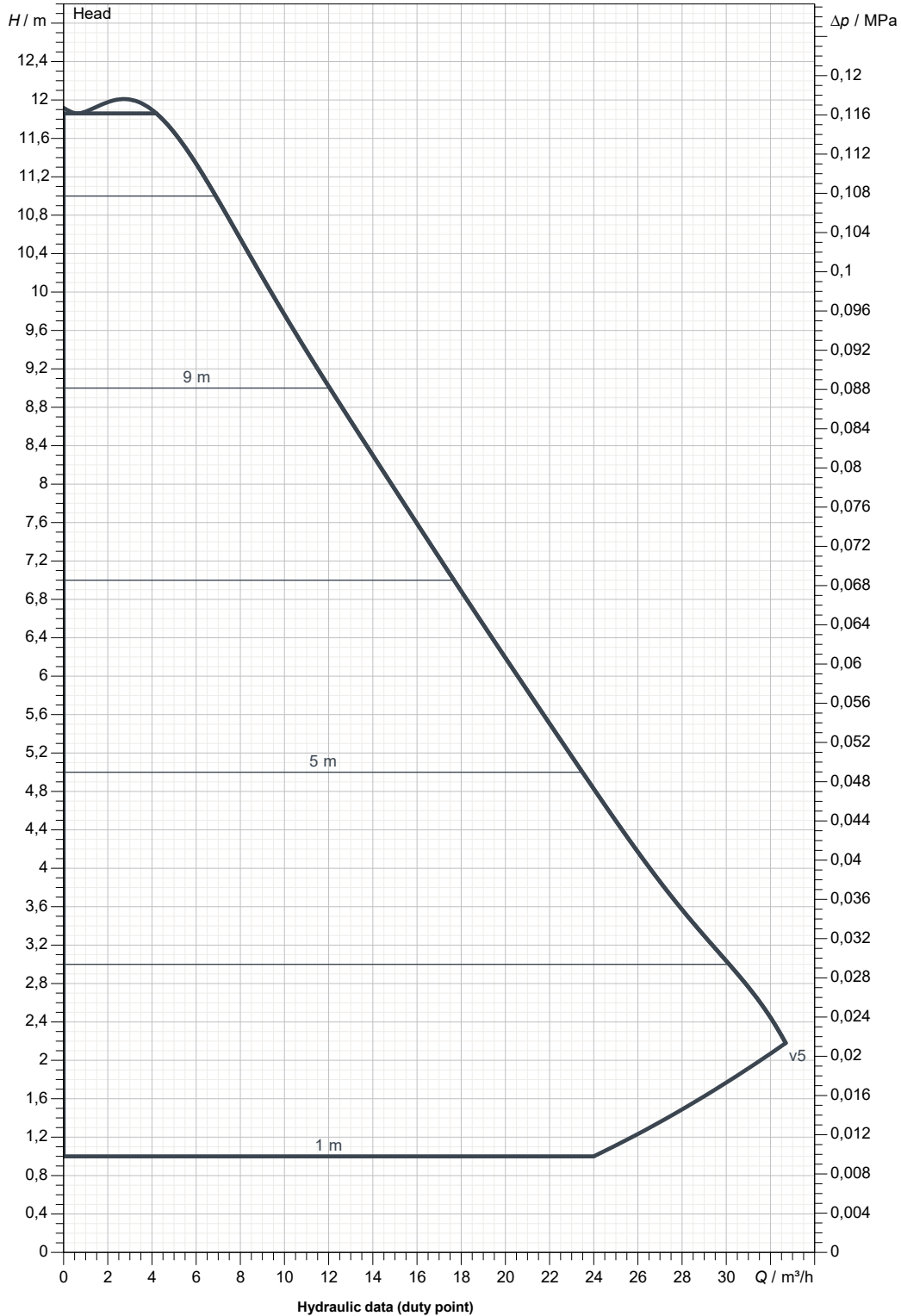
Receiver

From

Society
Reference
Address
Phone
Fax
E-mail

EVOPLUS B 120/280.50 M

Curve tolerance according to ISO 9906



Hydraulic data (duty point)

Suction side : DN 50 PN6, PN10, PN16	Discharge side : DN 50 PN6, PN10, PN16	Flow :	Head :	Rated speed : 2.900 1/min
MAIN_PROJECT_TITLE	BUSINESS_PROCESS_IC	OWNER_	ISSUE_DATE 2023-02-06	



DIMENSIONAL DRAWING

2023-02-06

Page 3 / 3

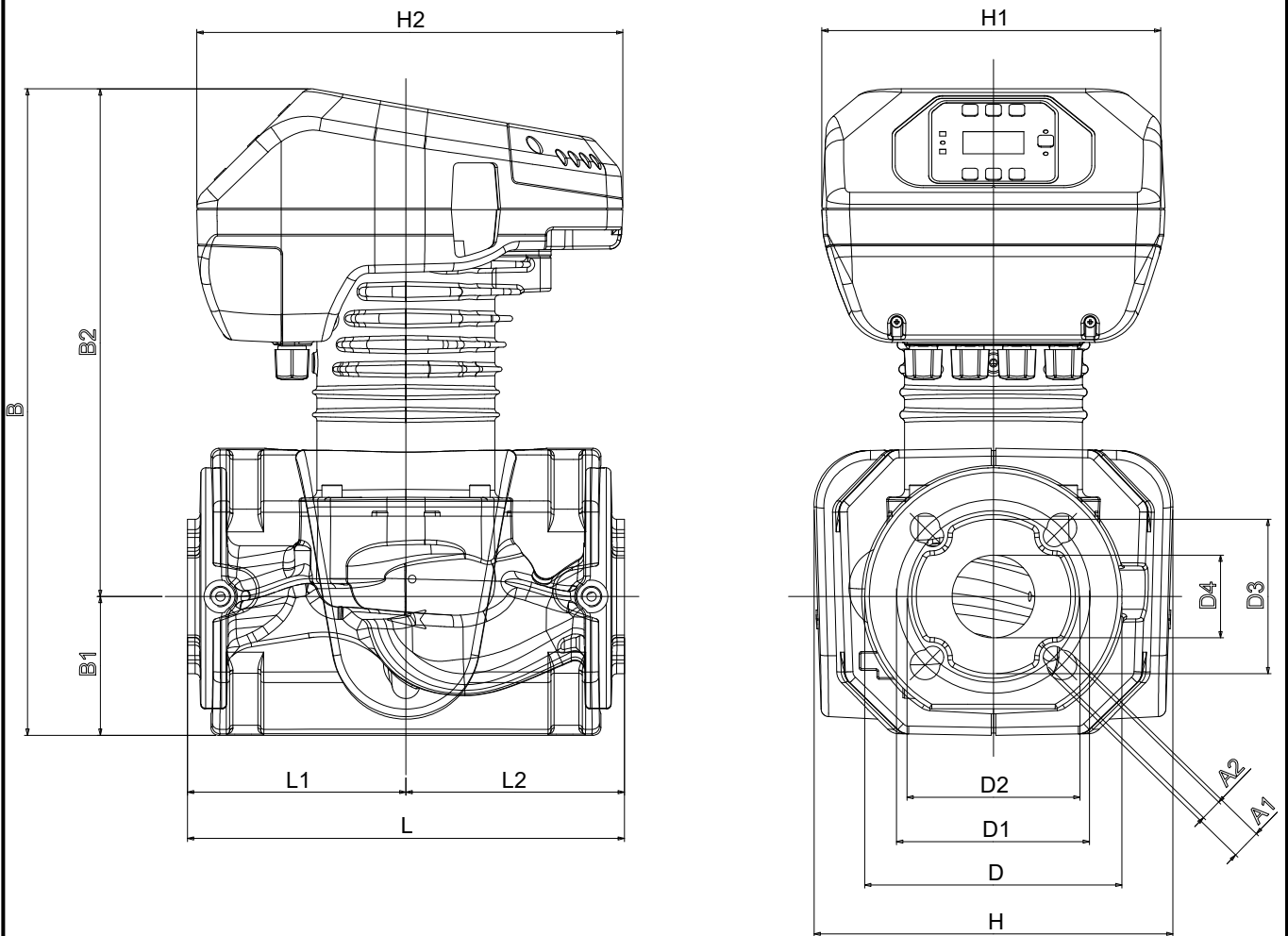
DAB PUMPS S.p.A.
Via Marco Polo, 14 - 35035 Mestrino (PD), Italy
Tel. +39 049 5125000 - Fax +39 049 5125950
www.dabpumps.com

Receiver

From

Society
Reference
Address
Phone
Fax
E-mail

EVOPLUS B 120/280.50 M



Dimensions in mm					Pump connection	
1	A1	19	H1	220	Suction DN 50 PN6, PN10, PN16 Discharge DN 50 PN6, PN10, PN16	
2	A2	14	H2	273		
3	B	413	L	280		
4	B1	87	L1	140		
5	B2	325	L2	140		
6	D	165				
7	D1	125				
8	D2	110				
9	D3	99				
10	D4	53				
11	H	230				

MAIN_PROJECT_TITLE	BUSINESS_PROCESS_ID	OWNER	ISSUE_DATE 2023-02-06
--------------------	---------------------	-------	--------------------------