

## Receiver

## From

Society  
Reference  
Address  
Phone  
Fax  
E-mail

**Item n° :**  
60150976  
**Customer pos. no.:**  
**Model :**  
EVOPLUS B 180/280.50 M

### Pump data

Pressure rating : 1,6 MPa  
Min. fluid temperature : -10 °C  
Max. fluid temperature : 110 °C  
EEI : ≤ 0,20

### Minimum suction head :

Temperature °C 90 100  
Minimum suction head : m 20 25

### Requested data

Flow :  
Head :  
Fluid (%) :  
Fluid Temperature : 20 °C  
Density : 998,3 kg/m<sup>3</sup>  
Kinematic viscosity : 1,005 mm<sup>2</sup>/s  
Vapor pressure : 0,00 MPa

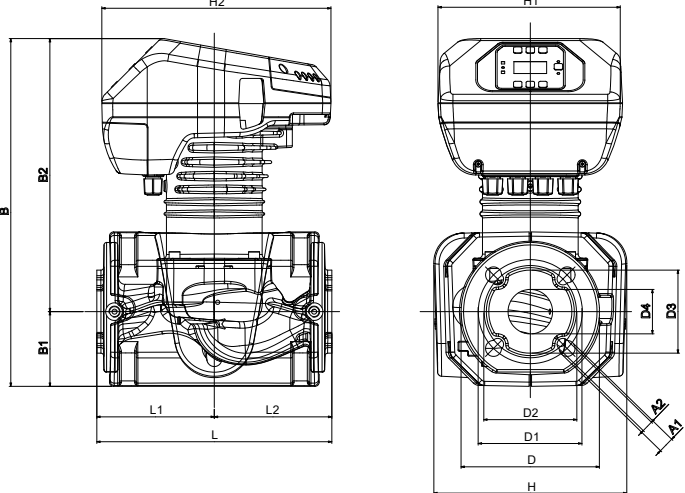
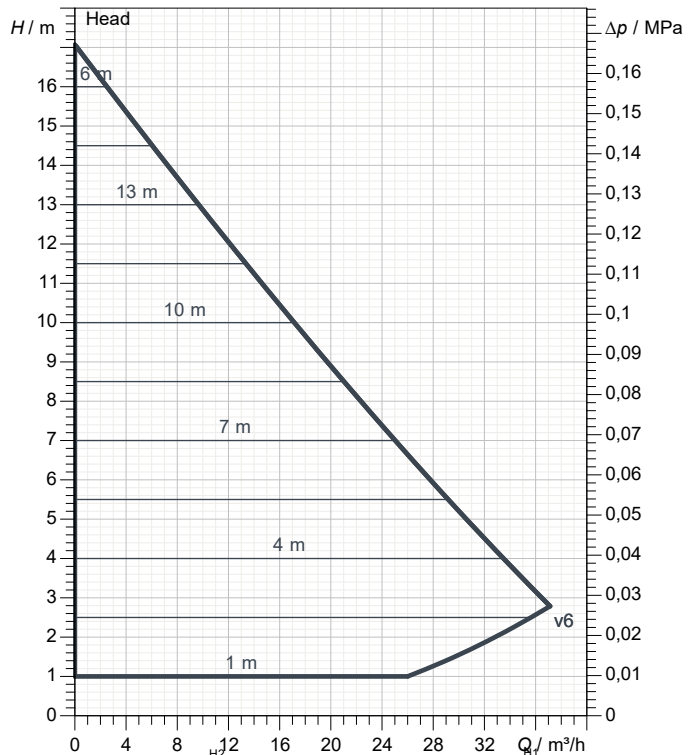
### Hydraulic data (duty point)

Flow :  
Head :

### Materials

Pump body Cast iron 250 UNI ISO 185 - CTF  
Impeller Technopolymer  
Motor shaft Stainless steel  
Seal ring EPDM  
Motor casing Die cast aluminium  
Closing flange Stainless steel  
Thrust ring support Stainless steel

Curve tolerance according to ISO 9906



### Motor data

Motor brand : DAB  
Power input P1 : 0,75 kW  
Rated voltage : 1~ 220-240 V 50 Hz  
Nominal current : 3,45 A  
Degree of protection : IP 44

### Dimensions in mm

A1	19	D1	125	H2	273
A2	14	D2	110	L	280
B	413	D3	99	L1	140
B1	87	D4	53	L2	140
B2	325	H	230		
D	165	H1	220		

Weight : 22,8 kg

### Pump connection

Suction side : DN 50 / PN6, PN10, PN16  
Discharge side : DN 50 / PN6, PN10, PN16



# PERFORMANCE CURVES

2023-02-06

Page 2 / 3

DAB PUMPS S.p.A.  
Via Marco Polo, 14 - 35035 Mestrino (PD), Italy  
Tel. +39 049 5125000 - Fax +39 049 5125950  
www.dabpumps.com

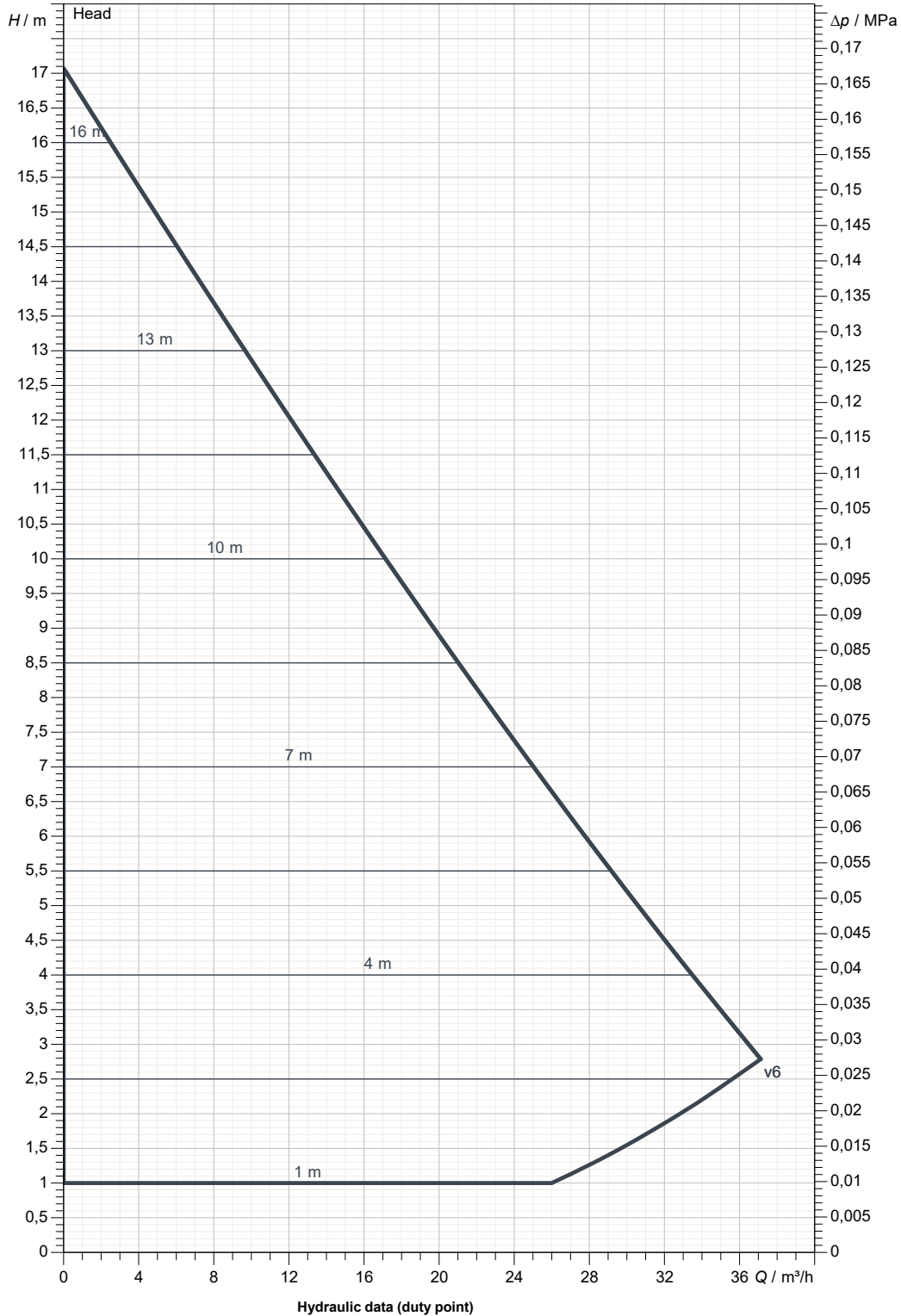
Receiver

From

Society  
Reference  
Address  
Phone  
Fax  
E-mail

## EVOPLUS B 180/280.50 M

Curve tolerance according to ISO 9906



Hydraulic data (duty point)

Suction side : DN 50 PN6, PN10, PN16	Discharge side : DN 50 PN6, PN10, PN16	Flow :	Head :	Rated speed : 2.900 1/min
MAIN_PROJECT_TITLE	BUSINESS_PROCESS_IT	OWNER_	ISSUE_DATE 2023-02-06	



# DIMENSIONAL DRAWING

2023-02-06

Page 3 / 3

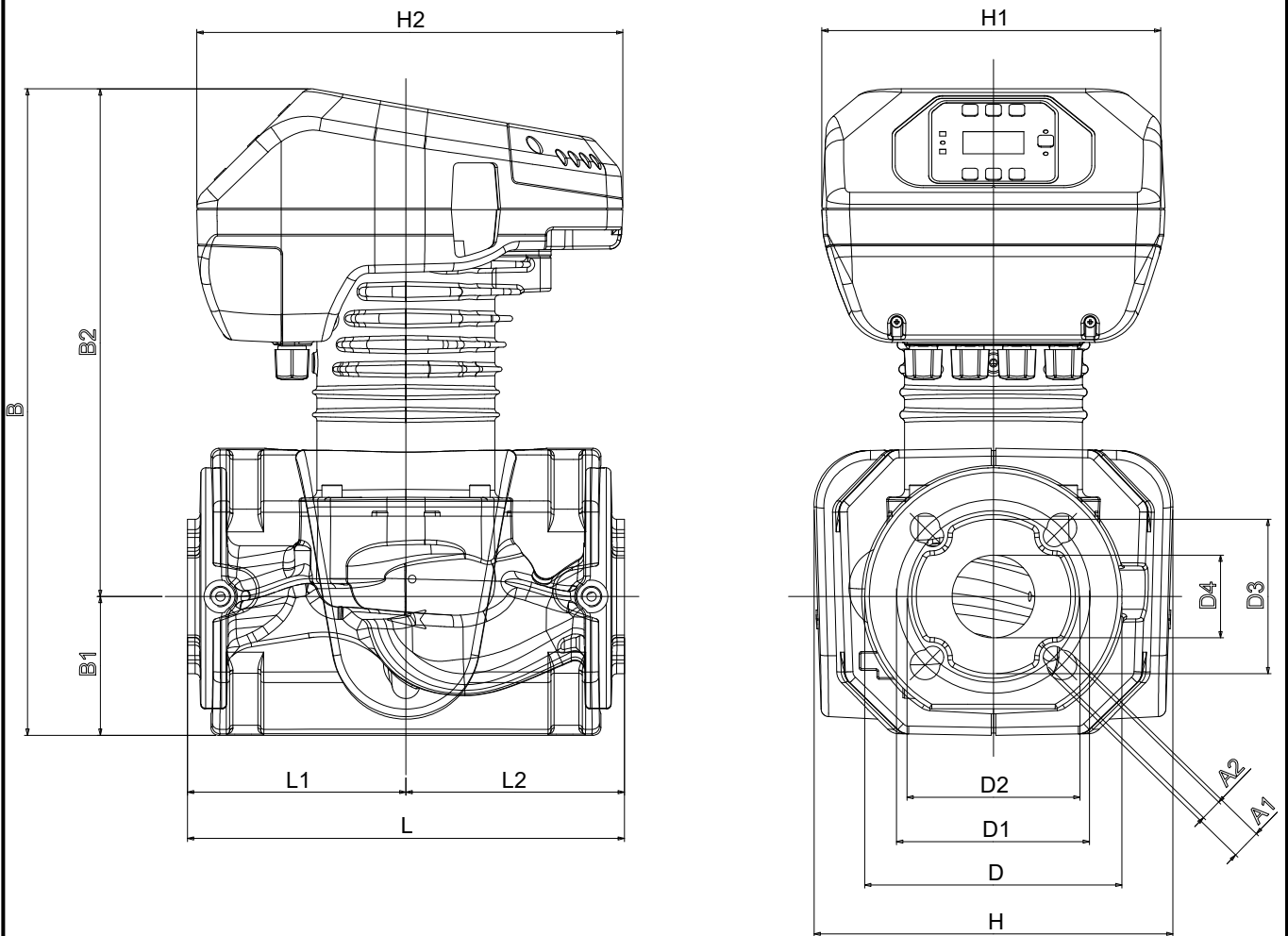
DAB PUMPS S.p.A.  
Via Marco Polo, 14 - 35035 Mestrino (PD), Italy  
Tel. +39 049 5125000 - Fax +39 049 5125950  
www.dabpumps.com

Receiver

From

Society  
Reference  
Address  
Phone  
Fax  
E-mail

## EVOPLUS B 180/280.50 M



Dimensions in mm					Pump connection	
1	A1	19	H1	220	Suction DN 50 PN6, PN10, PN16  Discharge DN 50 PN6, PN10, PN16	
2	A2	14	H2	273		
3	B	413	L	280		
4	B1	87	L1	140		
5	B2	325	L2	140		
6	D	165				
7	D1	125				
8	D2	110				
9	D3	99				
10	D4	53				
11	H	230				

MAIN_PROJECT_TITLE	BUSINESS_PROCESS_ID	OWNER	ISSUE_DATE 2023-02-06
--------------------	---------------------	-------	--------------------------