

Receiver

From

Society
Reference
Address
Phone
Fax
E-mail

Item n° : 60150980
Customer pos. no.:
Model : EVOPLUS B 100/340.65 M

Pump data
Pressure rating : 1,6 MPa
Min. fluid temperature : -10 °C
Max. fluid temperature : 110 °C
EEI : ≤ 0,20

Minimum suction head :
Temperature °C 90 100
Minimum suction head : m 20 25

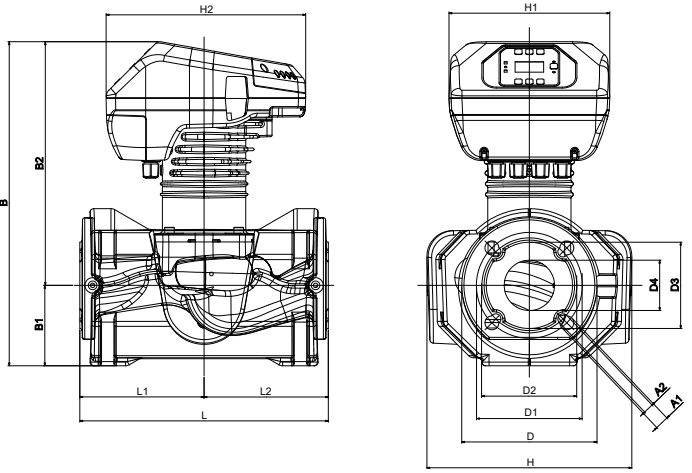
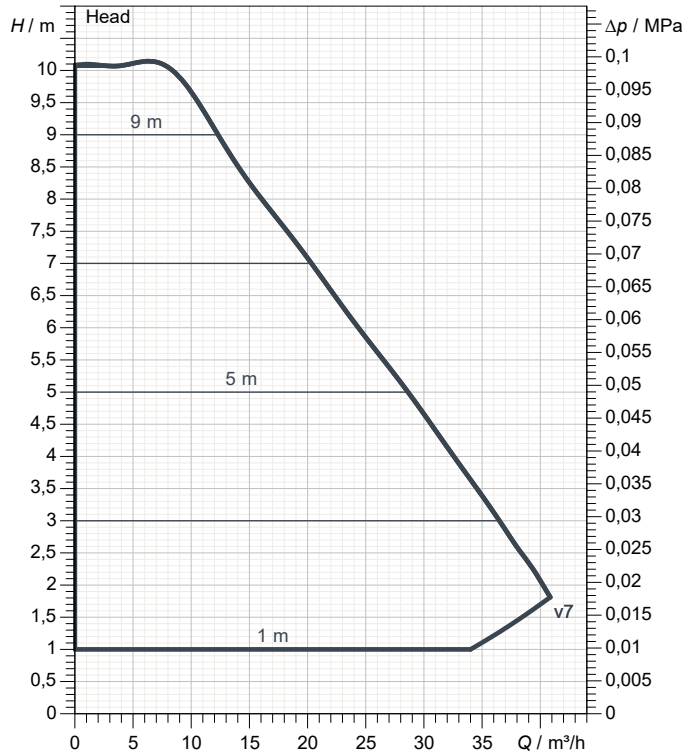
Requested data
Flow :
Head :
Fluid (%) :
Fluid Temperature : 20 °C
Density : 998,3 kg/m³
Kinematic viscosity : 1,005 mm²/s
Vapor pressure : 0,00 MPa

Hydraulic data (duty point)
Flow :
Head :

Materials
Pump body : Cast iron 250 UNI ISO 185 - CTF
Impeller : Technopolymer
Motor shaft : Stainless steel
Seal ring : EPDM
Motor casing : Die cast aluminium
Closing flange : Stainless steel
Thrust ring support : Stainless steel

Motor data
Motor brand : DAB
Power input P1 : 0,59 kW
Rated voltage : 1~ 220-240 V 50 Hz
Nominal current : 2,8 A
Degree of protection : IP 44

Curve tolerance according to ISO 9906



Dimensions in mm	
A1	19
A2	14
B	443
B1	110
B2	333
D	185
D1	145
D2	130
D3	118
D4	69
H	280
H1	220
H2	273
L	340
L1	170
L2	170
Weight : 25 kg	
Pump connection	
Suction side :	DN 65 / PN6, PN10, PN16
Discharge side :	DN 65 / PN6, PN10, PN16



WATER • TECHNOLOGY

PERFORMANCE CURVES

2023-02-06

Page 2 / 3

DAB PUMPS S.p.A.
Via Marco Polo, 14 - 35035 Mestrino (PD), Italy
Tel. +39 049 5125000 - Fax +39 049 5125950
www.dabpumps.com

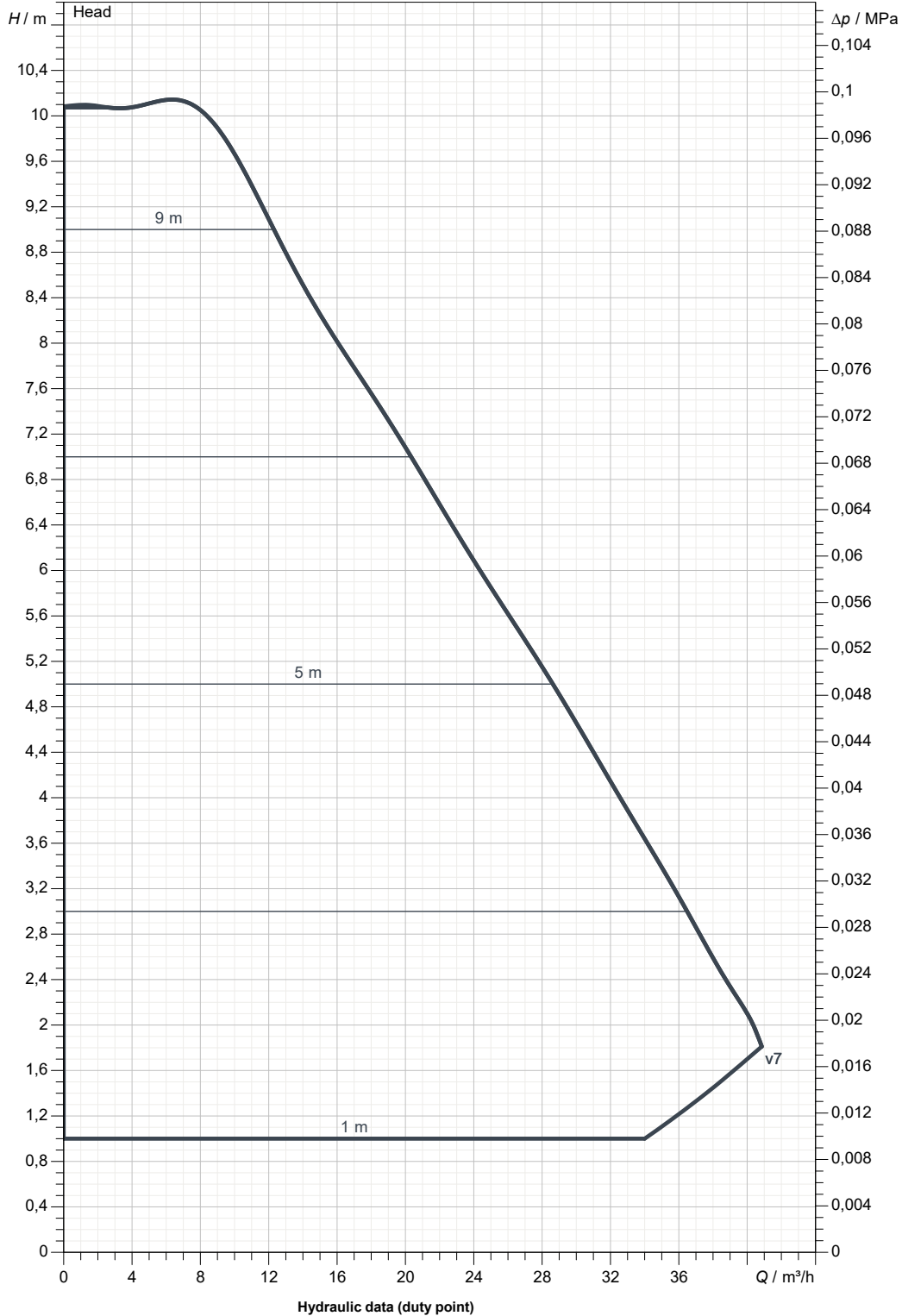
Receiver

From

Society
Reference
Address
Phone
Fax
E-mail

EVOPLUS B 100/340.65 M

Curve tolerance according to ISO 9906



Suction side :
DN 65
PN6, PN10, PN16

Discharge side :
DN 65
PN6, PN10, PN16

Flow :

Head :

Rated speed :
2.900 1/min

MAIN_PROJECT_TITLE

BUSINESS_PROCESS_IC

OWNER_

ISSUE_DATE
2023-02-06



DIMENSIONAL DRAWING

2023-02-0€

Page 3 / 3

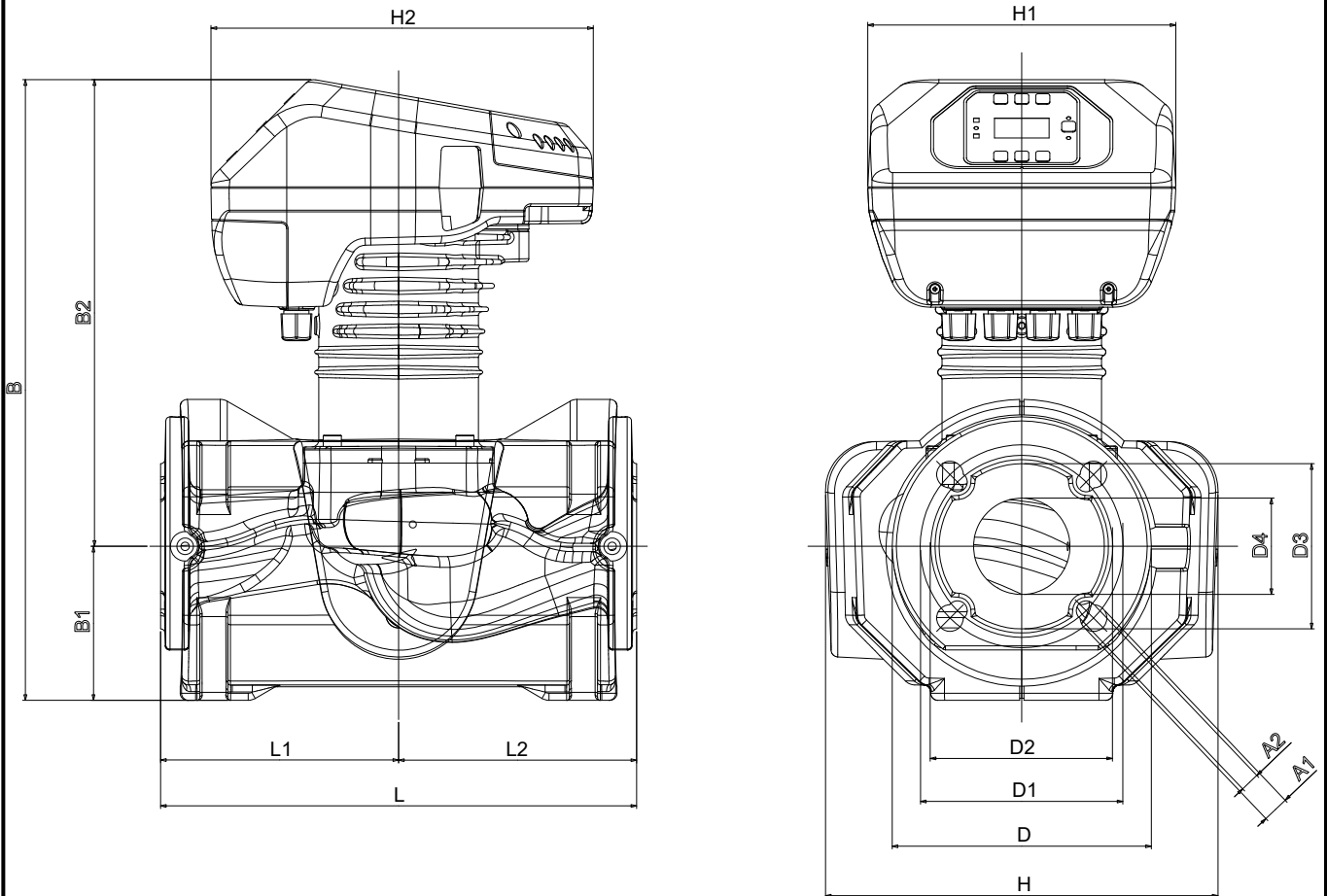
DAB PUMPS S.p.A.
Via Marco Polo, 14 - 35035 Mestrino (PD), Italy
Tel. +39 049 5125000 - Fax +39 049 5125950
www.dabpumps.com

Receiver

From

Society
Reference
Address
Phone
Fax
E-mail

EVOPLUS B 100/340.65 M



Dimensions in mm

Pump connection

1	A1	19	H1	220	Suction DN 65 PN6, PN10, PN16 Discharge DN 65 PN6, PN10, PN16
2	A2	14	H2	273	
3	B	443	L	340	
4	B1	110	L1	170	
5	B2	333	L2	170	
6	D	185			
7	D1	145			
8	D2	130			
9	D3	118			
10	D4	69			
11	H	280			

MAIN_PROJECT_TITLE	BUSINESS_PROCESS_ID	OWNER	ISSUE_DATE 2023-02-06
--------------------	---------------------	-------	---------------------------------