

Receiver

From

Society
Reference
Address
Phone
Fax
E-mail

Item n° : 60150988
Customer pos. no.:
Model : EVOPLUS B 60/360.80 M

Pump data

Pressure rating : 1,6 MPa
Min. fluid temperature : -10 °C
Max. fluid temperature : 110 °C
EEI : ≤ 0,20

Minimum suction head :

Temperature °C 90 100
Minimum suction head : m 20 25

Requested data

Flow :
Head :
Fluid (%) :
Fluid Temperature : 20 °C
Density : 998,3 kg/m³
Kinematic viscosity : 1,005 mm²/s
Vapor pressure : 0,00 MPa

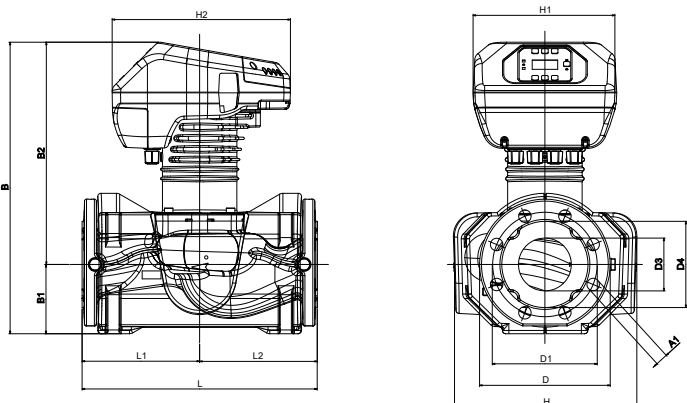
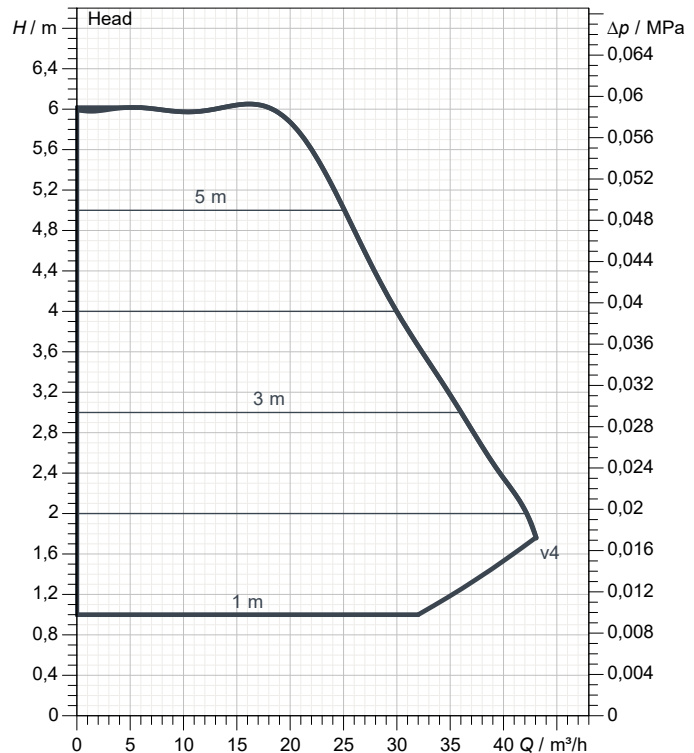
Hydraulic data (duty point)

Flow :
Head :

Materials

Pump body : Cast iron 250 UNI ISO 185 - CTF
Impeller : Technopolymer
Motor shaft : Stainless steel
Seal ring : EPDM
Motor casing : Die cast aluminium
Closing flange : Stainless steel
Thrust ring support : Stainless steel

Curve tolerance according to ISO 9906



Motor data

Motor brand : DAB
Power input P1 : 0,5349 kW
Rated voltage : 1~ 220-240 V 50 Hz
Nominal current : 2,5 A
Degree of protection : IP 44

Dimensions in mm

A1	19	D3	132	L1	180
B	446	D4	80	L2	180
B1	106	H	279		
B2	340	H1	220		
D	200	H2	273		
D1	160	L	360		

Weight : 30,2 kg

Pump connection

Suction side : DN 80 / PN 6
Discharge side : DN 80 / PN 6



PERFORMANCE CURVES

2023-02-06

Page 2 / 3

DAB PUMPS S.p.A.
Via Marco Polo, 14 - 35035 Mestrino (PD), Italy
Tel. +39 049 5125000 - Fax +39 049 5125950
www.dabpumps.com

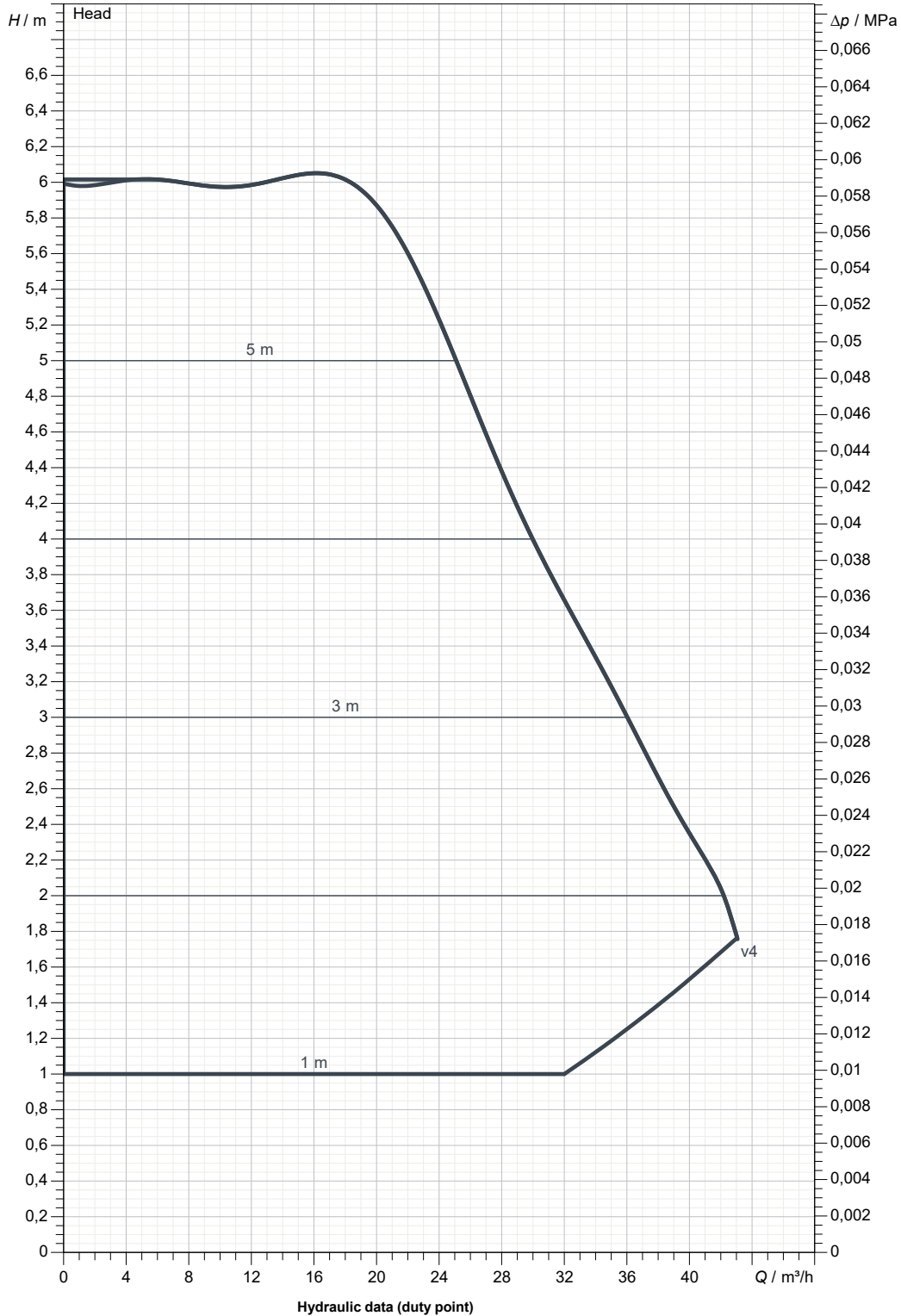
Receiver

From

Society
Reference
Address
Phone
Fax
E-mail

EVOPLUS B 60/360.80 M

Curve tolerance according to ISO 9906



Suction side :
DN 80
PN 6

Discharge side :
DN 80
PN 6

Flow :

Head :

Rated speed :
2.900 1/min

MAIN_PROJECT_TITLE

BUSINESS_PROCESS_ID

OWNER_

ISSUE_DATE

2023-02-06



DIMENSIONAL DRAWING

2023-02-06

Page 3 / 3

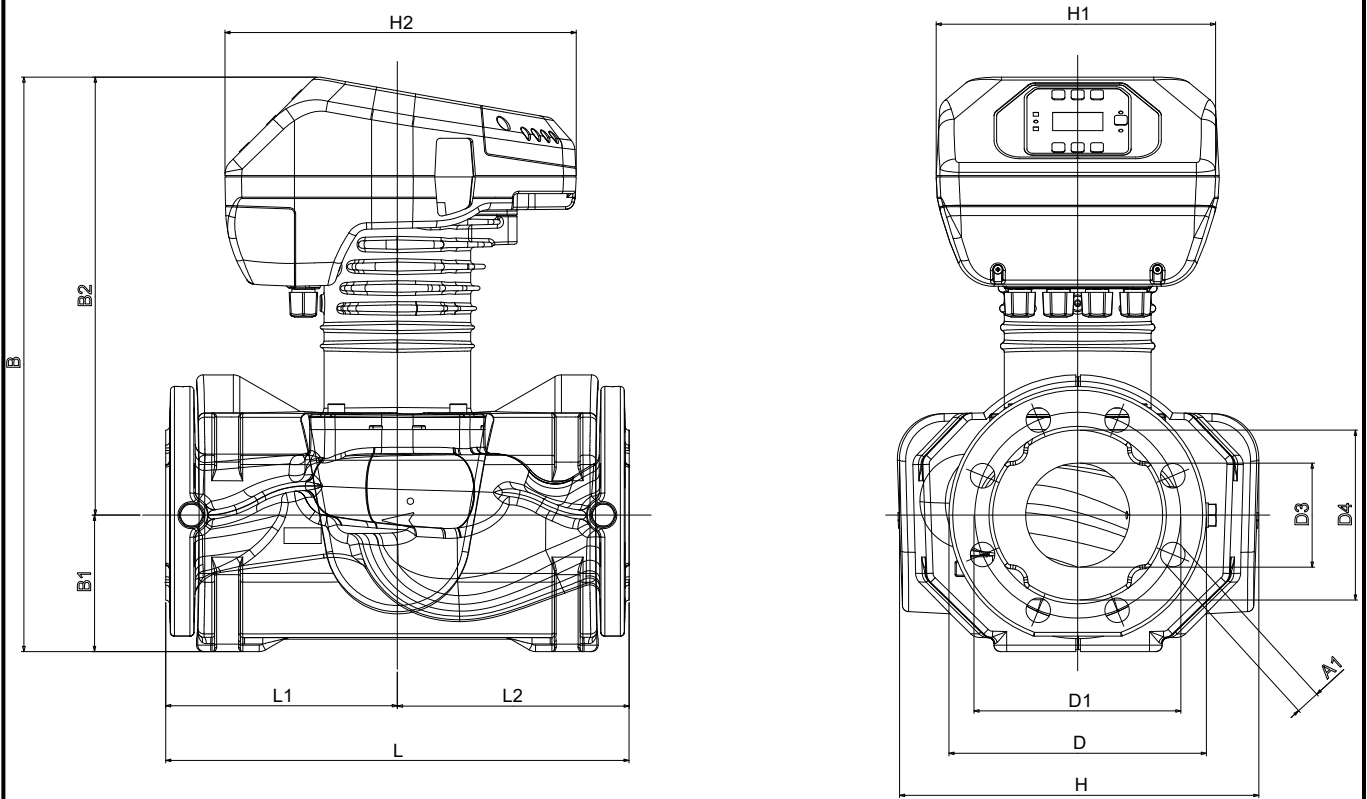
DAB PUMPS S.p.A.
Via Marco Polo, 14 - 35035 Mestrino (PD), Italy
Tel. +39 049 5125000 - Fax +39 049 5125950
www.dabpumps.com

Receiver

From

Society
Reference
Address
Phone
Fax
E-mail

EVOPLUS B 60/360.80 M



Dimensions in mm					Pump connection	
1	A1	19	L	360	Suction DN 80 PN 6 Discharge DN 80 PN 6	
2	B	446	L1	180		
3	B1	106	L2	180		
4	B2	340				
5	D	200				
6	D1	160				
7	D3	132				
8	D4	80				
9	H	279				
10	H1	220				
11	H2	273				

MAIN_PROJECT_TITLE	BUSINESS_PROCESS_ID	OWNER	ISSUE_DATE 2023-02-06
--------------------	---------------------	-------	---------------------------------