

**Receiver**

**From**

Society  
Reference  
Address  
Phone  
Fax  
E-mail

**Item n° :** 60150990  
**Customer pos. no.:**  
**Model :** EVOPLUS B 100/360.80 M

**Pump data**  
Pressure rating : 1,6 MPa  
Min. fluid temperature : -10 °C  
Max. fluid temperature : 110 °C  
EEI : ≤ 0,20

**Minimum suction head :**  
Temperature °C 90 100  
Minimum suction head : m 20 25

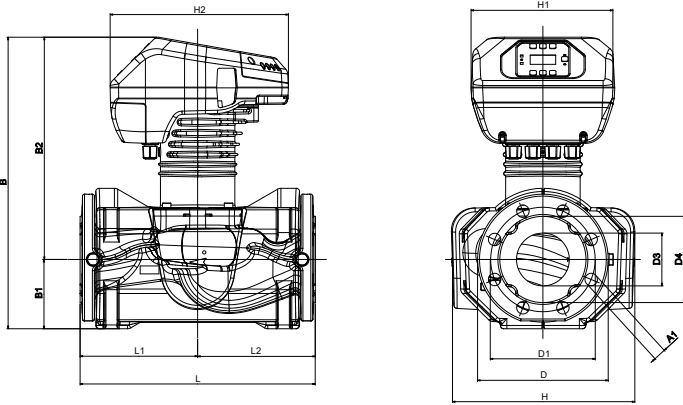
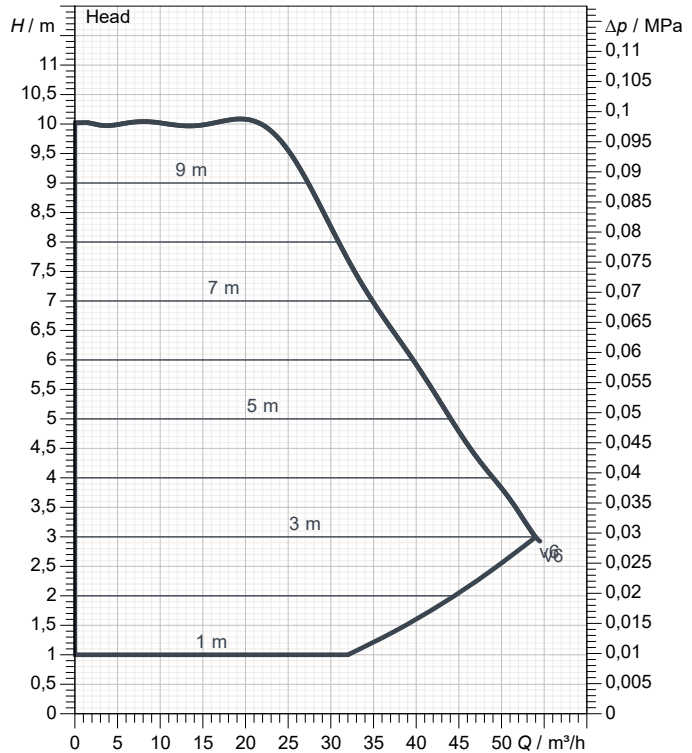
**Requested data**  
Flow :  
Head :  
Fluid (%) :  
Fluid Temperature : 20 °C  
Density : 998,3 kg/m³  
Kinematic viscosity : 1,005 mm²/s  
Vapor pressure : 0,00 MPa

**Hydraulic data (duty point)**  
Flow :  
Head :

**Materials**  
Pump body : Cast iron 250 UNI ISO 185 - CTF  
Impeller : Technopolymer  
Motor shaft : Stainless steel  
Seal ring : EPDM  
Motor casing : Die cast aluminium  
Closing flange : Stainless steel  
Thrust ring support : Stainless steel

**Motor data**  
Motor brand : DAB  
Power input P1 : 1,005 kW  
Rated voltage : 1~ 220-240 V 50 Hz  
Nominal current : 4,5 A  
Degree of protection : IP 44

**Curve tolerance according to ISO 9906**



Dimensions in mm	
A1	19
B	446
B1	106
B2	340
D	200
D1	160
D3	132
D4	80
H	279
H1	220
H2	273
L	360
L1	180
L2	180
<b>Weight :</b> 32,2 kg	
<b>Pump connection</b>	
Suction side :	DN 80 / PN 6
Discharge side :	DN 80 / PN 6



# PERFORMANCE CURVES

2023-02-06

Page 2 / 3

DAB PUMPS S.p.A.  
Via Marco Polo, 14 - 35035 Mestrino (PD), Italy  
Tel. +39 049 5125000 - Fax +39 049 5125950  
www.dabpumps.com

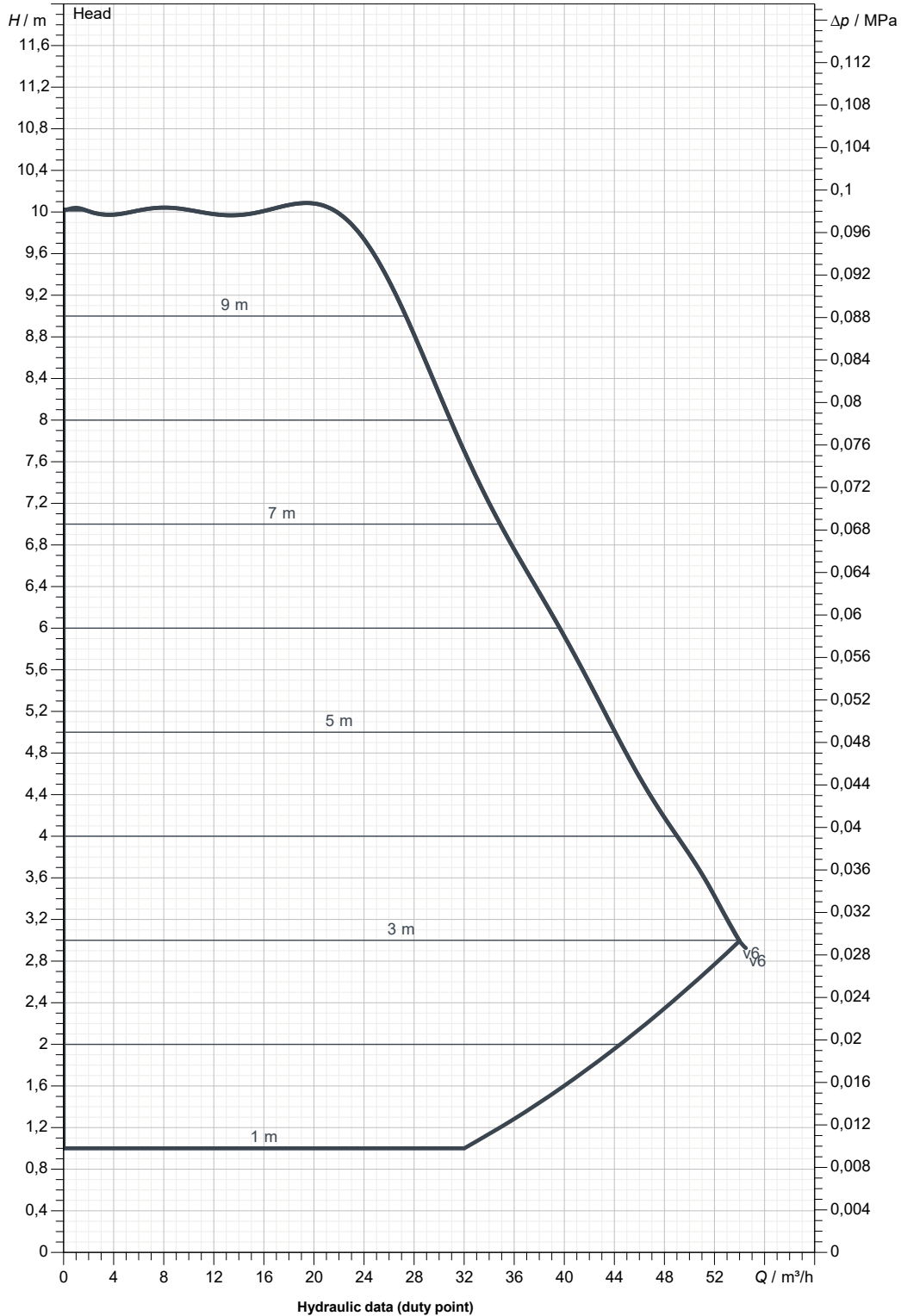
Receiver

From

Society  
Reference  
Address  
Phone  
Fax  
E-mail

## EVOPLUS B 100/360.80 M

Curve tolerance according to ISO 9906



Suction side :  
DN 80  
PN 6

Discharge side :  
DN 80  
PN 6

Flow :

Head :

Rated speed :  
2.900 1/min

MAIN\_PROJECT\_TITLE

BUSINESS\_PROCESS\_ID

OWNER\_

ISSUE\_DATE

2023-02-06



# DIMENSIONAL DRAWING

2023-02-06

Page 3 / 3

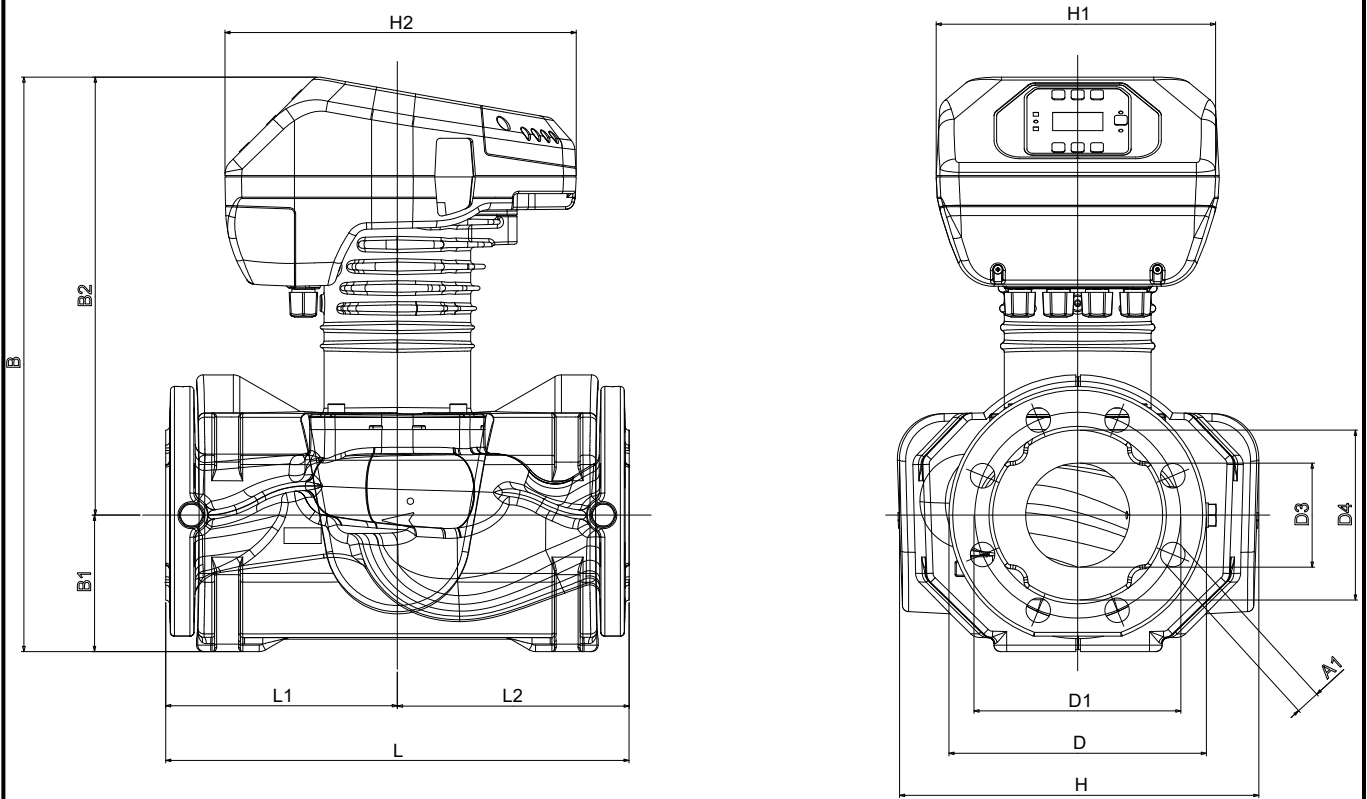
DAB PUMPS S.p.A.  
Via Marco Polo, 14 - 35035 Mestrino (PD), Italy  
Tel. +39 049 5125000 - Fax +39 049 5125950  
www.dabpumps.com

Receiver

From

Society  
Reference  
Address  
Phone  
Fax  
E-mail

## EVOPLUS B 100/360.80 M



Dimensions in mm					Pump connection	
1	A1	19	L	360	Suction DN 80 PN 6  Discharge DN 80 PN 6	
2	B	446	L1	180		
3	B1	106	L2	180		
4	B2	340				
5	D	200				
6	D1	160				
7	D3	132				
8	D4	80				
9	H	279				
10	H1	220				
11	H2	273				

MAIN_PROJECT_TITLE	BUSINESS_PROCESS_ID	OWNER	ISSUE_DATE <b>2023-02-06</b>
--------------------	---------------------	-------	---------------------------------