

Receiver

From

Society
Reference
Address
Phone
Fax
E-mail

Item n° : Customer pos. no.:
60150993
Model :
EVOPLUS B 60/450.100 M

Pump data
Pressure rating : 1,6 MPa
Min. fluid temperature : -10 °C
Max. fluid temperature : 110 °C
EEI : ≤ 0,20

Minimum suction head :
Temperature °C 90 100
Minimum suction head : m 20 25

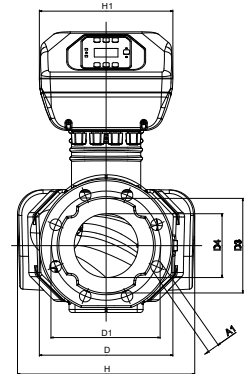
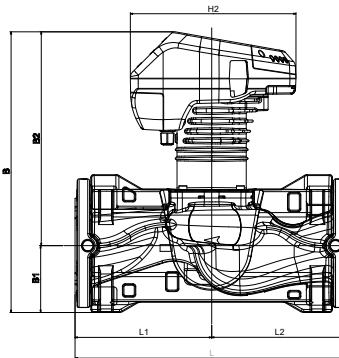
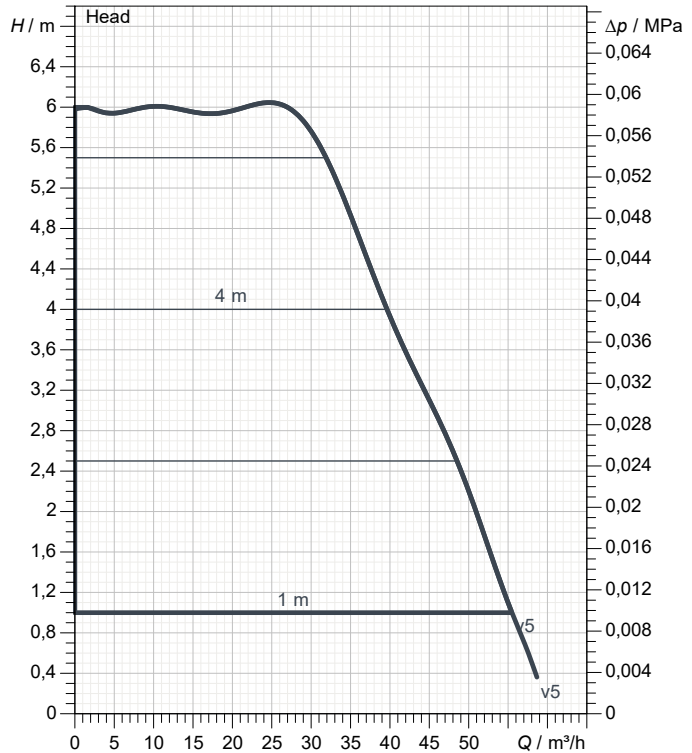
Requested data
Flow :
Head :
Fluid (%) :
Fluid Temperature : 20 °C
Density : 998,3 kg/m³
Kinematic viscosity : 1,005 mm²/s
Vapor pressure : 0,00 MPa

Hydraulic data (duty point)
Flow :
Head :

Materials
Pump body : Cast iron 250 UNI ISO 185 - CTF
Impeller : Technopolymer
Motor shaft : Stainless steel
Seal ring : EPDM
Motor casing : Die cast aluminium
Closing flange : Stainless steel
Thrust ring support : Stainless steel

Motor data
Motor brand : DAB
Power input P1 : 0,76 kW
Rated voltage : 1~ 220-240 V 50 Hz
Nominal current : 3,5 A
Degree of protection : IP 44

Curve tolerance according to ISO 9906



Dimensions in mm	
A1	19
B	463
B1	110
B2	353
D	220
D1	180
D3	156
D4	105
H	292
H1	220
H2	273
L	450
L1	225
L2	225

Weight : 37,5 kg

Pump connection
Suction side : DN 100 / PN 6
Discharge side : DN 100 / PN 6



PERFORMANCE CURVES

2023-02-06

Page 2 / 3

DAB PUMPS S.p.A.
Via Marco Polo, 14 - 35035 Mestrino (PD), Italy
Tel. +39 049 5125000 - Fax +39 049 5125950
www.dabpumps.com

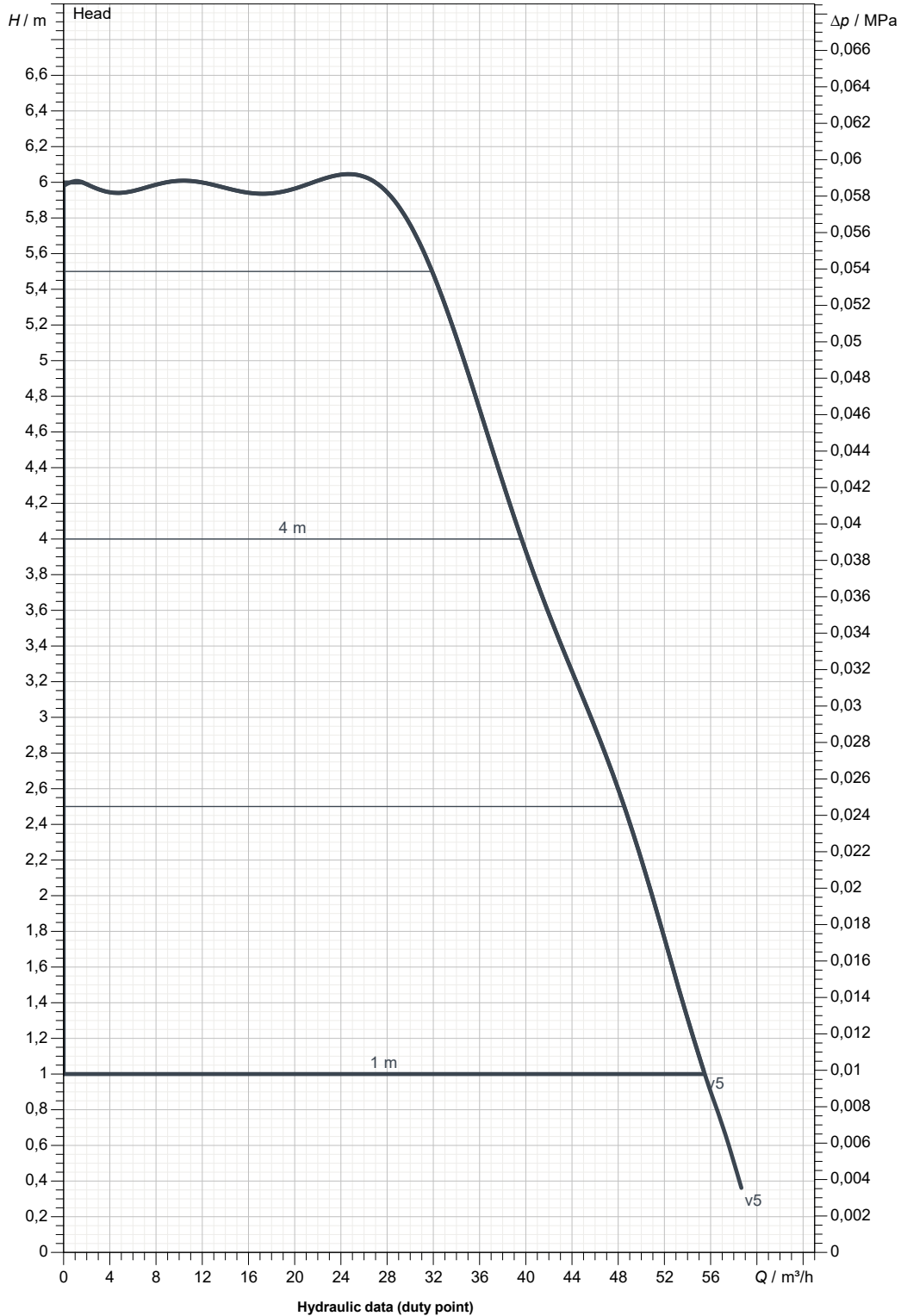
Receiver

From

Society
Reference
Address
Phone
Fax
E-mail

EVOPLUS B 60/450.100 M

Curve tolerance according to ISO 9906



Hydraulic data (duty point)

Suction side : DN 100 PN 6	Discharge side : DN 100 PN 6	Flow :	Head :	Rated speed : 2.900 1/min
MAIN_PROJECT_TITLE	BUSINESS_PROCESS_IT	OWNER_	ISSUE_DATE 2023-02-06	



DIMENSIONAL DRAWING

2023-02-06

Page 3 / 3

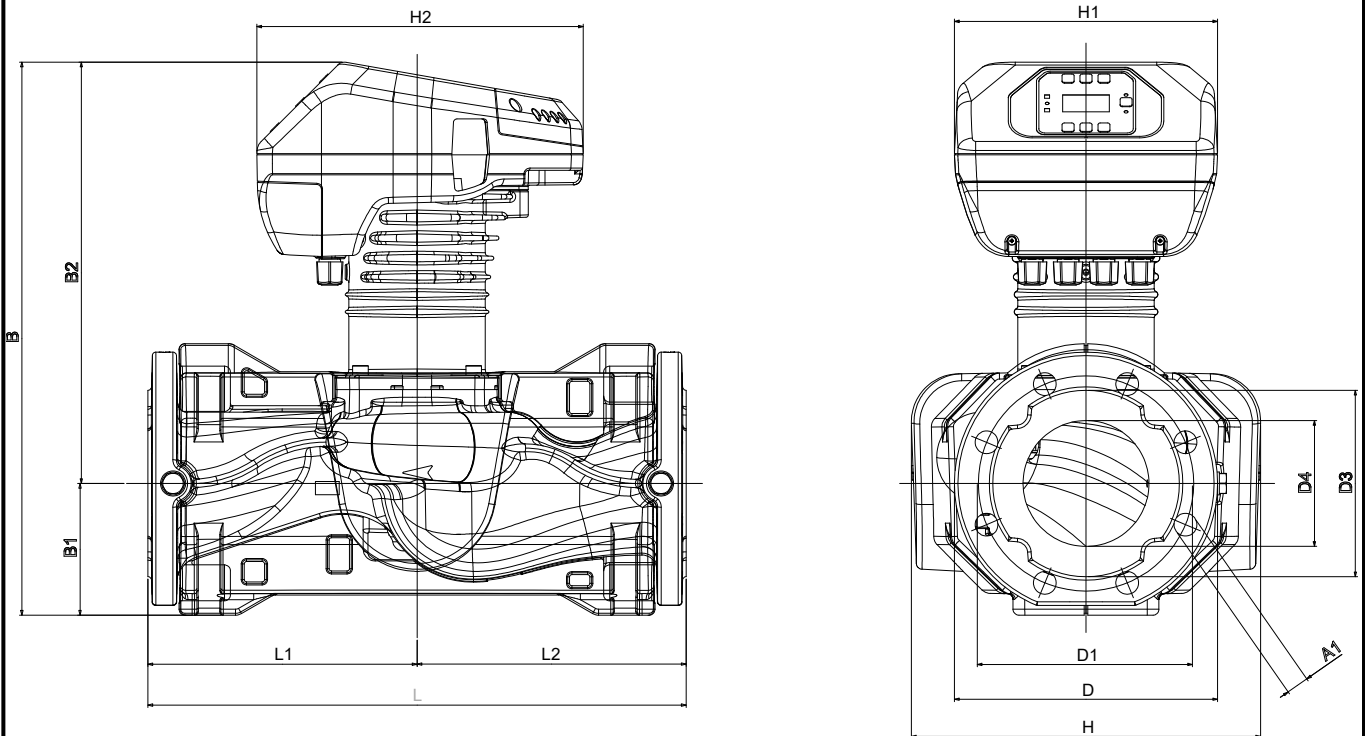
DAB PUMPS S.p.A.
Via Marco Polo, 14 - 35035 Mestrino (PD), Italy
Tel. +39 049 5125000 - Fax +39 049 5125950
www.dabpumps.com

Receiver

From

Society
Reference
Address
Phone
Fax
E-mail

EVOPLUS B 60/450.100 M



Dimensions in mm						Pump connection	
1	A1	19	L	450		Suction DN 100 PN 6 Discharge DN 100 PN 6	
2	B	463	L1	225			
3	B1	110	L2	225			
4	B2	353					
5	D	220					
6	D1	180					
7	D3	156					
8	D4	105					
9	H	292					
10	H1	220					
11	H2	273					

MAIN_PROJECT_TITLE	BUSINESS_PROCESS_ID	OWNER	ISSUE_DATE 2023-02-06
--------------------	---------------------	-------	---------------------------------