

### Receiver

### From

Society  
Reference  
Address  
Phone  
Fax  
E-mail

**Item n° :** Customer pos. no.:  
60150995  
**Model :**  
EVOPLUS B 100/450.100 M

#### Pump data

Pressure rating : 1,6 MPa  
Min. fluid temperature : -10 °C  
Max. fluid temperature : 110 °C  
EEI : ≤ 0,20

#### Minimum suction head :

Temperature °C 90 100  
Minimum suction head : m 20 25

#### Requested data

Flow :  
Head :  
Fluid (%) :  
Fluid Temperature : 20 °C  
Density : 998,3 kg/m³  
Kinematic viscosity : 1,005 mm²/s  
Vapor pressure : 0,00 MPa

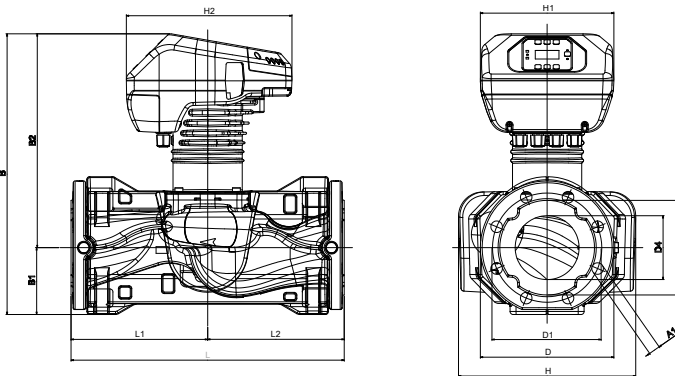
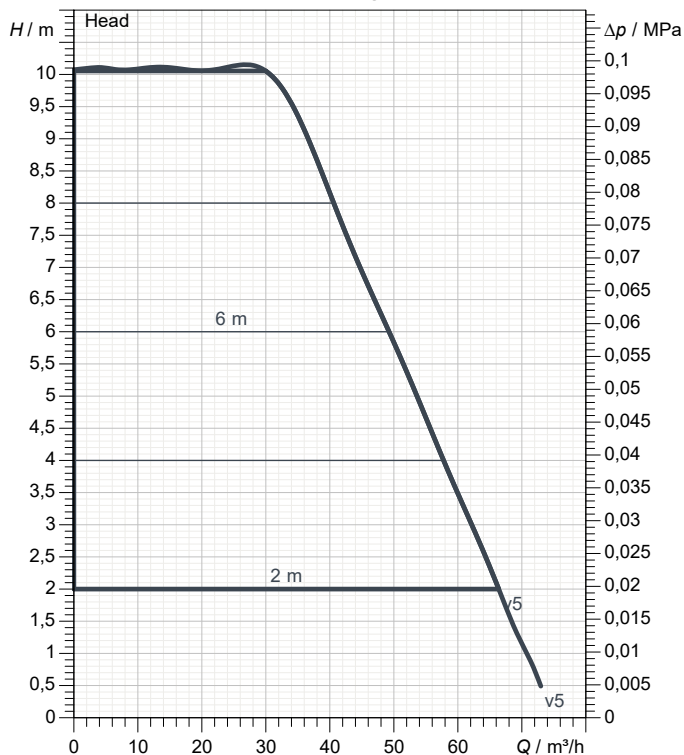
#### Hydraulic data (duty point)

Flow :  
Head :

#### Materials

Pump body Cast iron 250 UNI ISO 185 - CTF  
Impeller Technopolymer  
Motor shaft Stainless steel  
Seal ring EPDM  
Motor casing Die cast aluminium  
Closing flange Stainless steel  
Thrust ring support Stainless steel

#### Curve tolerance according to ISO 9906



#### Motor data

Motor brand : DAB  
Power input P1 : 1,38 kW  
Rated voltage : 1~ 220-240 V 50 Hz  
Nominal current : 6 A  
Degree of protection : IP 44

#### Dimensions in mm

A1	19	D3	156	L1	225
B	463	D4	105	L2	225
B1	110	H	292		
B2	353	H1	220		
D	220	H2	273		
D1	180	L	450		

**Weight :** 36,8 kg

#### Pump connection

Suction side : DN 100 / PN 6  
Discharge side : DN 100 / PN 6



WATER • TECHNOLOGY

# PERFORMANCE CURVES

2023-02-06

Page 2 / 3

DAB PUMPS S.p.A.  
Via Marco Polo, 14 - 35035 Mestrino (PD), Italy  
Tel. +39 049 5125000 - Fax +39 049 5125950  
www.dabpumps.com

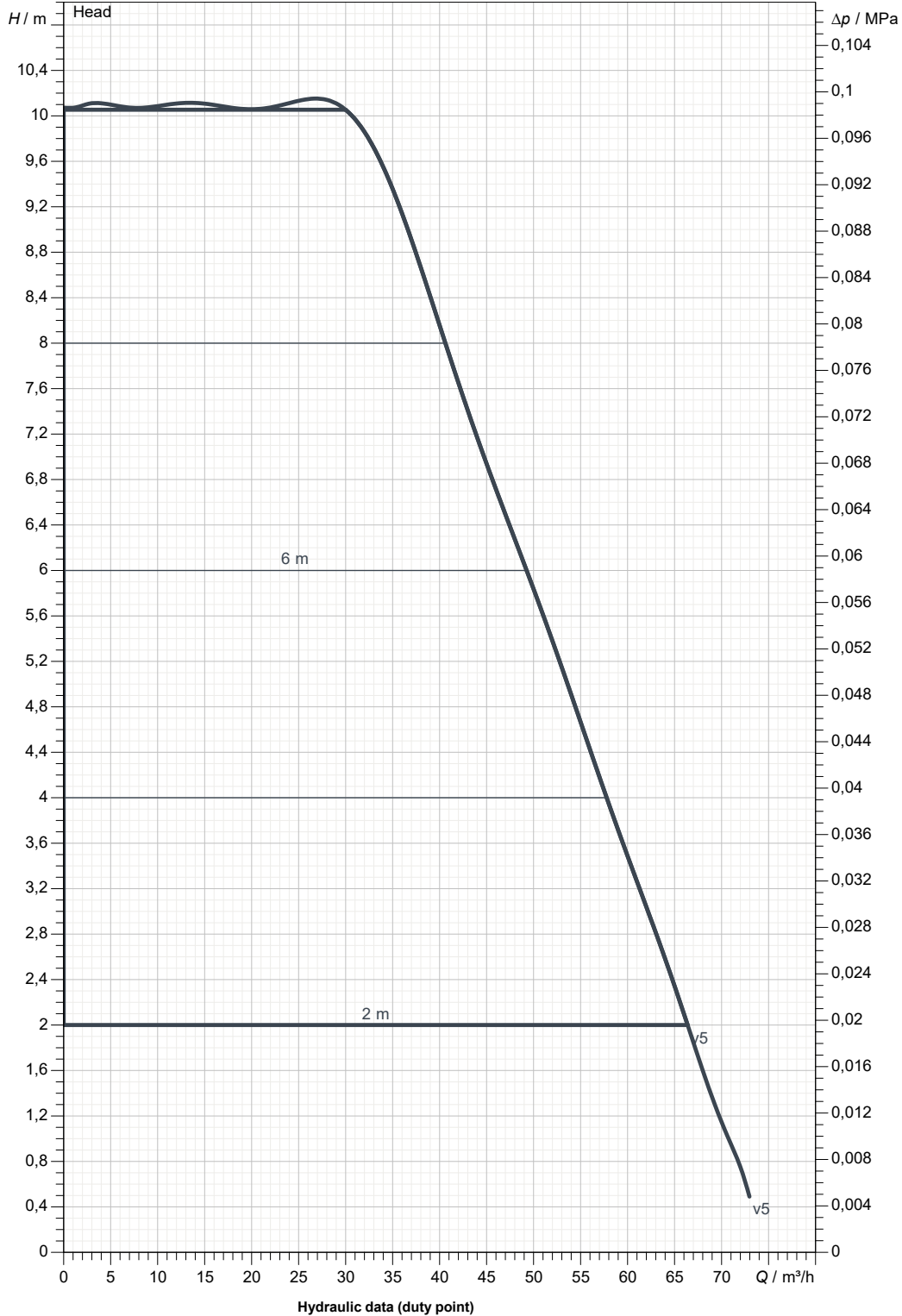
Receiver

From

Society  
Reference  
Address  
Phone  
Fax  
E-mail

## EVOPLUS B 100/450.100 M

Curve tolerance according to ISO 9906



Suction side :  
DN 100  
PN 6

Discharge side :  
DN 100  
PN 6

Flow :

Head :

Rated speed :  
2.900 1/min

MAIN\_PROJECT\_TITLE

BUSINESS\_PROCESS\_ID

OWNER\_

ISSUE\_DATE  
2023-02-06



# DIMENSIONAL DRAWING

2023-02-06

Page 3 / 3

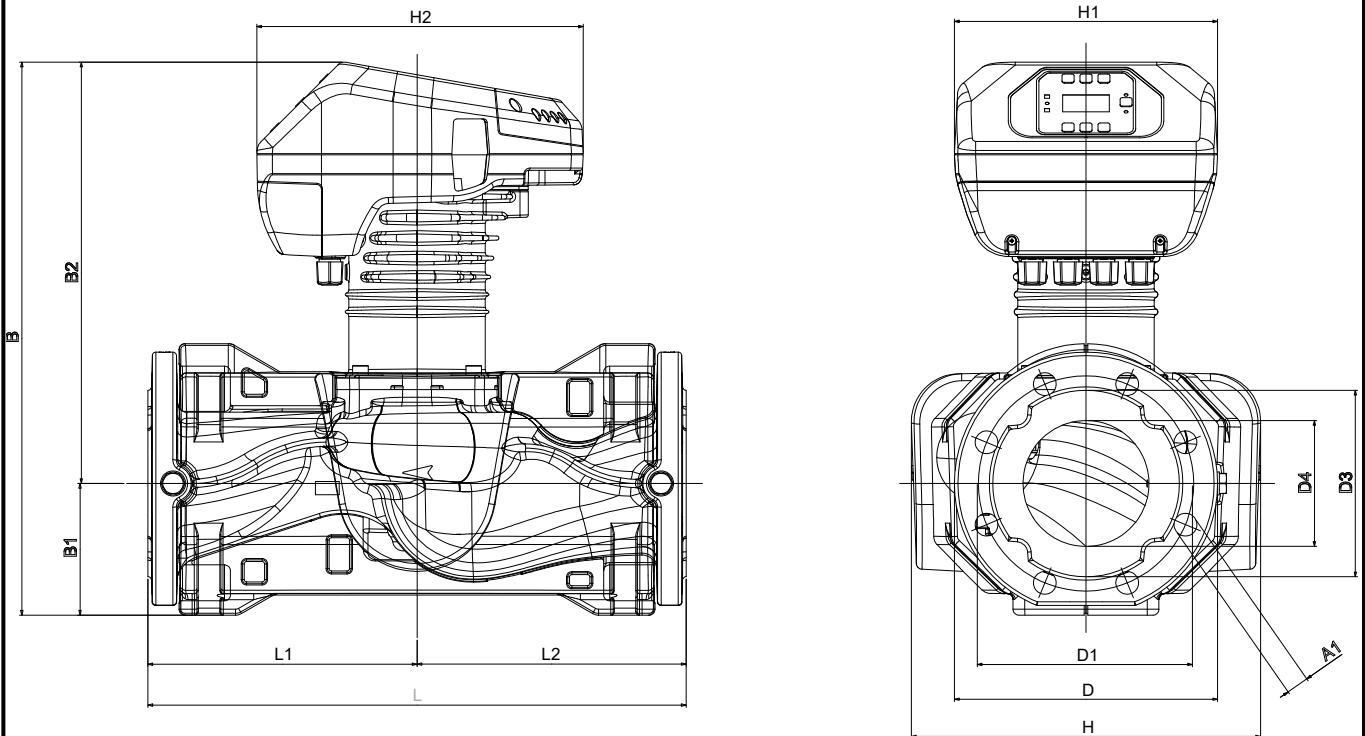
DAB PUMPS S.p.A.  
Via Marco Polo, 14 - 35035 Mestrino (PD), Italy  
Tel. +39 049 5125000 - Fax +39 049 5125950  
www.dabpumps.com

Receiver

From

Society  
Reference  
Address  
Phone  
Fax  
E-mail

## EVOPLUS B 100/450.100 M



**Dimensions in mm**

**Pump connection**

1	A1	19	L	450			
2	B	463	L1	225			Suction
3	B1	110	L2	225			DN 100
4	B2	353					PN 6
5	D	220					Discharge
6	D1	180					DN 100
7	D3	156					PN 6
8	D4	105					
9	H	292					
10	H1	220					
11	H2	273					

MAIN\_PROJECT\_TITLE

BUSINESS\_PROCESS\_ID

OWNER

ISSUE\_DATE

2023-02-06