

**Project:**  
**Reference Number:**

**Client:**  
**Client Number:**  
**Contact:**

Qty.	Description
1	<p data-bbox="199 439 566 465"><b>TPE3 50-80 S-A-F-A-BQQE-DYB</b></p>  <p data-bbox="592 781 1062 808">Note! Product picture may differ from actual product</p> <p data-bbox="199 813 464 840">Product No.: <a href="#">99272256</a></p> <p data-bbox="199 875 1437 949">Single-stage, close-coupled, volute pump with in-line suction and discharge ports of identical diameter. The pump is of the top-pull-out design, i.e. the power head (motor, pump head and impeller) can be removed for maintenance or service while the pump housing remains in the pipework.</p> <p data-bbox="199 958 1382 1010">The shaft seal is according to EN 12756. Pipework connection is via PN 6/10 DIN flanges (EN 1092-2 and ISO 7005-2).</p> <p data-bbox="199 1019 1452 1070">The pump is fitted with a fan-cooled, permanent-magnet synchronous motor. The motor efficiency is classified as IE5 in accordance with IEC 60034-30-2.</p> <p data-bbox="199 1079 1437 1153">The motor includes a frequency converter and PI controller in the motor terminal box. This enables continuously variable control of the motor speed, which again enables adaptation of the performance to a given requirement. The pump is fitted with a combined temperature- and differential pressure sensor.</p> <p data-bbox="199 1162 301 1189">Controls:</p> <p data-bbox="199 1193 639 1220">Frequency converter: Built-in</p> <p data-bbox="199 1252 276 1279">Liquid:</p> <p data-bbox="199 1283 632 1310">Pumped liquid: Water</p> <p data-bbox="199 1314 703 1341">Liquid temperature range: -25 .. 120 °C</p> <p data-bbox="199 1346 628 1373">Selected liquid temperature: 20 °C</p> <p data-bbox="199 1377 695 1404">Density: 998.2 kg/m<sup>3</sup></p> <p data-bbox="199 1435 314 1462">Technical:</p> <p data-bbox="199 1467 818 1494">Pump speed on which pump data are based: 3000 rpm</p> <p data-bbox="199 1498 649 1525">Rated flow: 18 m<sup>3</sup>/h</p> <p data-bbox="199 1529 628 1556">Rated head: 5.8 m</p> <p data-bbox="199 1561 639 1588">Actual impeller diameter: 74 mm</p> <p data-bbox="199 1592 636 1619">Code for shaft seal: BQQE</p> <p data-bbox="199 1624 772 1650">Curve tolerance: ISO9906:2012 3B2</p> <p data-bbox="199 1682 309 1709">Materials:</p> <p data-bbox="199 1713 730 1794">Pump housing: Cast iron EN-GJL-250 ASTM class 35</p> <p data-bbox="199 1798 718 1856">Impeller: Composite PES+30% GF</p> <p data-bbox="199 1888 327 1915">Installation:</p> <p data-bbox="199 1919 691 1946">Range of ambient temperature: -20 .. 50 °C</p> <p data-bbox="199 1951 636 1977">Maximum operating pressure: 10 bar</p> <p data-bbox="199 1982 730 2009">Max pressure at stated temp: 10 bar / 120 °C</p> <p data-bbox="199 2013 608 2040">Type of connection: DIN</p> <p data-bbox="199 2045 636 2072">Size of connection: DN 50</p> <p data-bbox="199 2076 654 2103">Pressure rating for connection: PN 6/10</p>



**Company name:** national pumps and boilers  
**Created by:**  
**Phone:** 01539 729395  
**Email:** info@nationlapumpsandboilers.co.uk  
**Date:** 04/01/2024

**Project:**  
**Reference Number:**

**Client:**  
**Client Number:**  
**Contact:**

Qty.	Description
1	Port-to-port length: 280 mm Flange size for motor: 56C  Electrical data: Motor type: 71A Rated power - P2: 0.37 kW Mains frequency: 50 / 60 Hz Rated voltage: 1 x 200-240 V Rated current: 2.40-2.10 A Cos phi - power factor: 0.96 Rated speed: 360-4000 rpm IE Efficiency class: IE5 Motor efficiency at full load: 84.0 % Enclosure class (IEC 34-5): IP55 Insulation class (IEC 85): F Motor No: 99137984  Others: Minimum efficiency index, MEI ≥: 0.70 Net weight: 24.7 kg Gross weight: 31.9 kg Shipping volume: 0.104 m <sup>3</sup> Danish VVS No.: 381602080 Swedish RSK No.: 5745880 Finnish LVI No.: 4616193

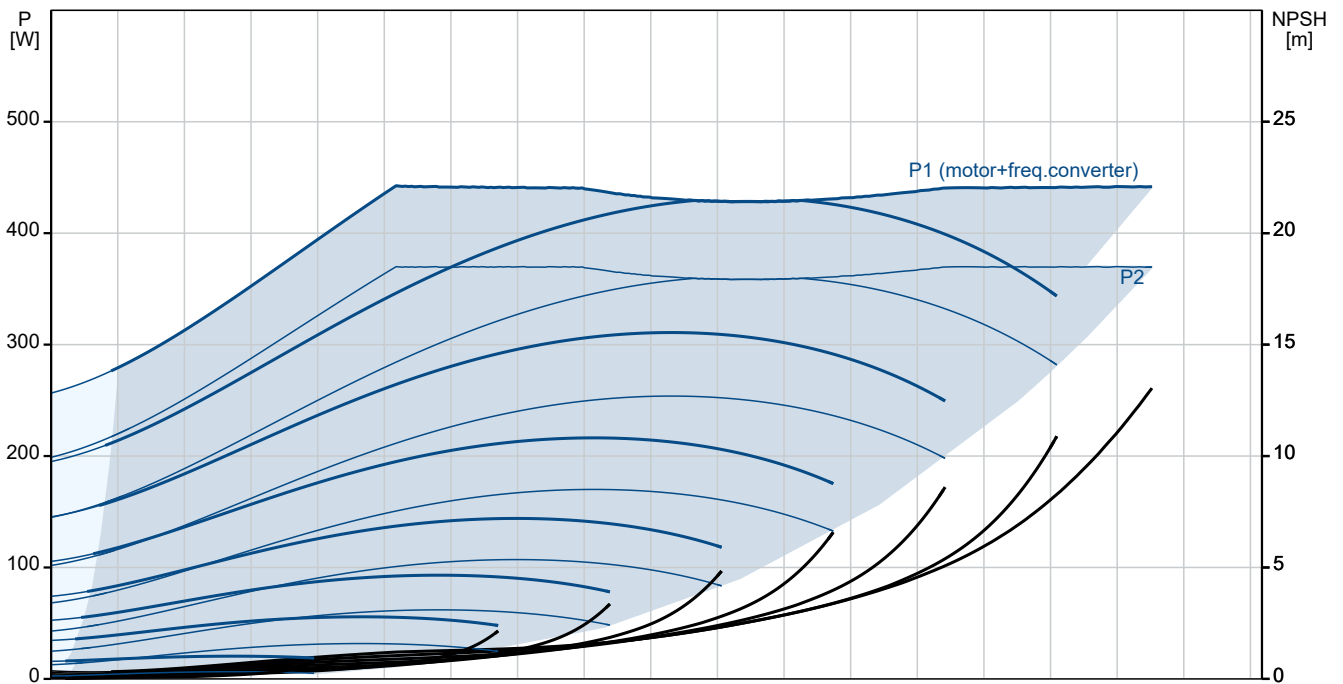
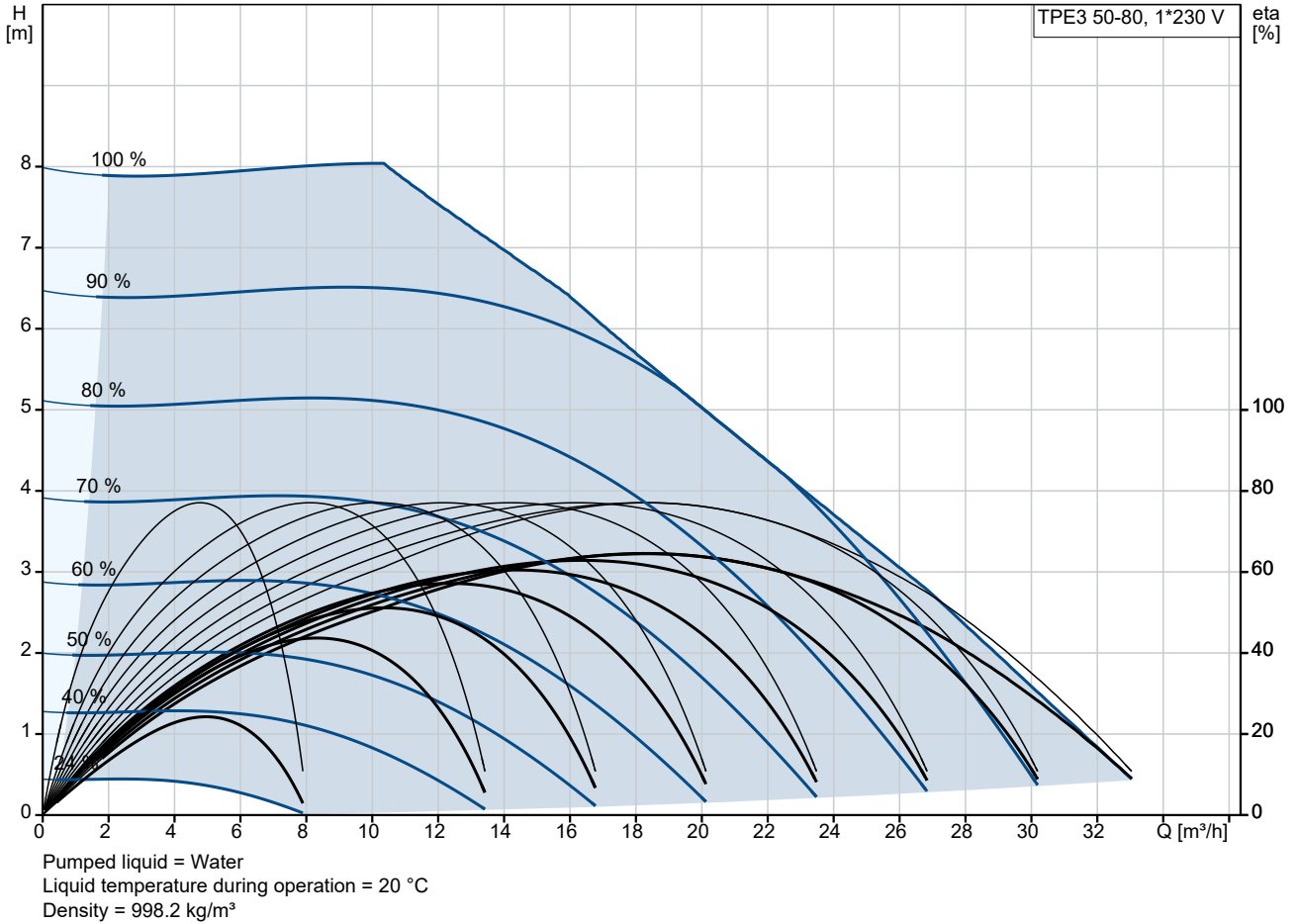


Company name: national pumps and boilers  
Created by:  
Phone: 01539 729395  
Email: info@nationlapumpsandboilers.co.uk  
Date: 04/01/2024

Project:  
Reference Number:

Client:  
Client Number:  
Contact:

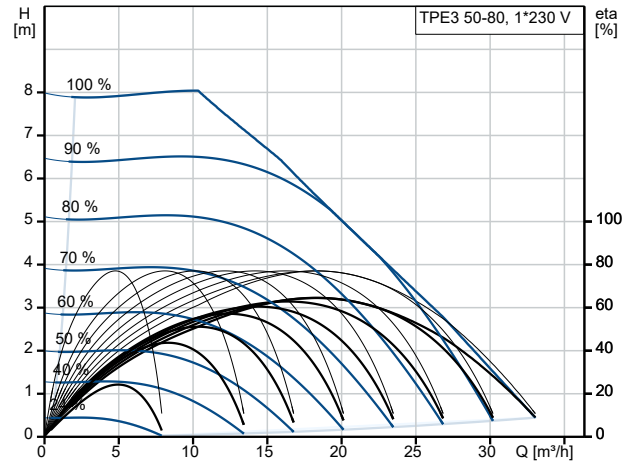
### 99272256 TPE3 50-80 S-A-F-A-BQQE-DYB



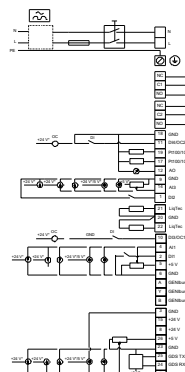
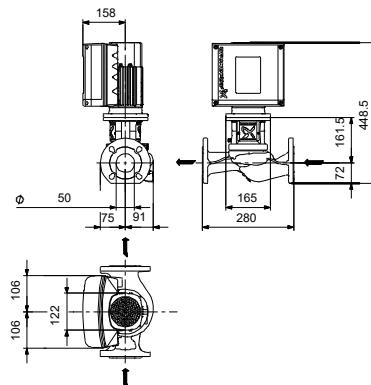
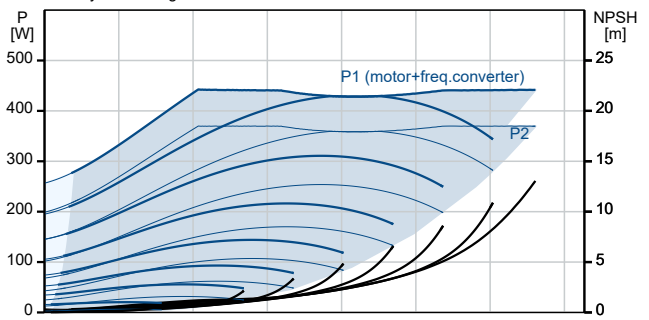
**Project:**  
**Reference Number:**

**Client:**  
**Client Number:**  
**Contact:**

Description	Value
<b>General information:</b>	
Product name:	TPE3 50-80 S-A-F-A-BQQE-DYB
Product No:	99272256
EAN number:	5713826361037
<b>Technical:</b>	
Pump speed on which pump data are based:	3000 rpm
Rated flow:	18 m <sup>3</sup> /h
Rated head:	5.8 m
Maximum head:	80 dm
Actual impeller diameter:	74 mm
Code for shaft seal:	BQQE
Curve tolerance:	ISO9906:2012 3B2
Pump version:	A
<b>Materials:</b>	
Pump housing:	Cast iron
Pump housing:	EN-GJL-250
Pump housing:	ASTM class 35
Impeller:	Composite
Impeller:	PES+30% GF
Material code:	A
<b>Installation:</b>	
Range of ambient temperature:	-20 .. 50 °C
Maximum operating pressure:	10 bar
Max pressure at stated temp:	10 bar / 120 °C
Type of connection:	DIN
Size of connection:	DN 50
Pressure rating for connection:	PN 6/10
Port-to-port length:	280 mm
Flange size for motor:	56C
Connect code:	F
<b>Liquid:</b>	
Pumped liquid:	Water
Liquid temperature range:	-25 .. 120 °C
Selected liquid temperature:	20 °C
Density:	998.2 kg/m <sup>3</sup>
<b>Electrical data:</b>	
Motor type:	71A
Rated power - P2:	0.37 kW
Mains frequency:	50 / 60 Hz
Rated voltage:	1 x 200-240 V
Rated current:	2.40-2.10 A
Cos phi - power factor:	0.96
Rated speed:	360-4000 rpm
IE Efficiency class:	IE5
Motor efficiency at full load:	84.0 %
Enclosure class (IEC 34-5):	IP55
Insulation class (IEC 85):	F
Built-in motor protection:	ELEC
Motor No:	99137984
<b>Controls:</b>	
Control panel:	HMI300 - Graphical
Function Module:	FM300 - Advanced
Frequency converter:	Built-in



Pumped liquid = Water  
 Liquid temperature during operation = 20 °C  
 Density = 998.2 kg/m<sup>3</sup>





**Company name:** national pumps and boilers  
**Created by:**  
**Phone:** 01539 729395  
**Email:** info@nationlapumpsandboilers.co.uk  
**Date:** 04/01/2024

**Project:**  
**Reference Number:**

**Client:**  
**Client Number:**  
**Contact:**

Description	Value
<b>Others:</b>	
Minimum efficiency index, MEI ≥:	0.70
Net weight:	24.7 kg
Gross weight:	31.9 kg
Shipping volume:	0.104 m <sup>3</sup>
Config. file no:	98481397
Danish VVS No.:	381602080
Swedish RSK No.:	5745880
Finnish LVI No.:	4616193

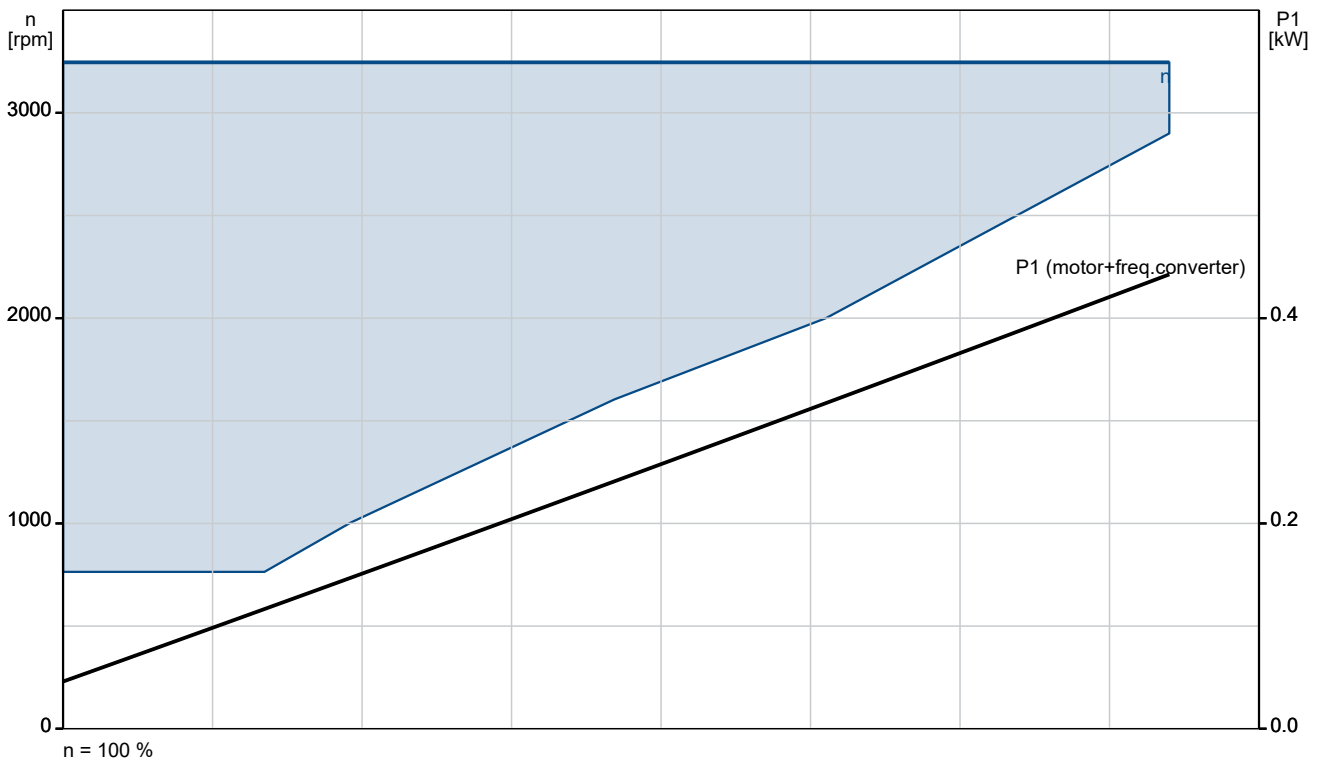
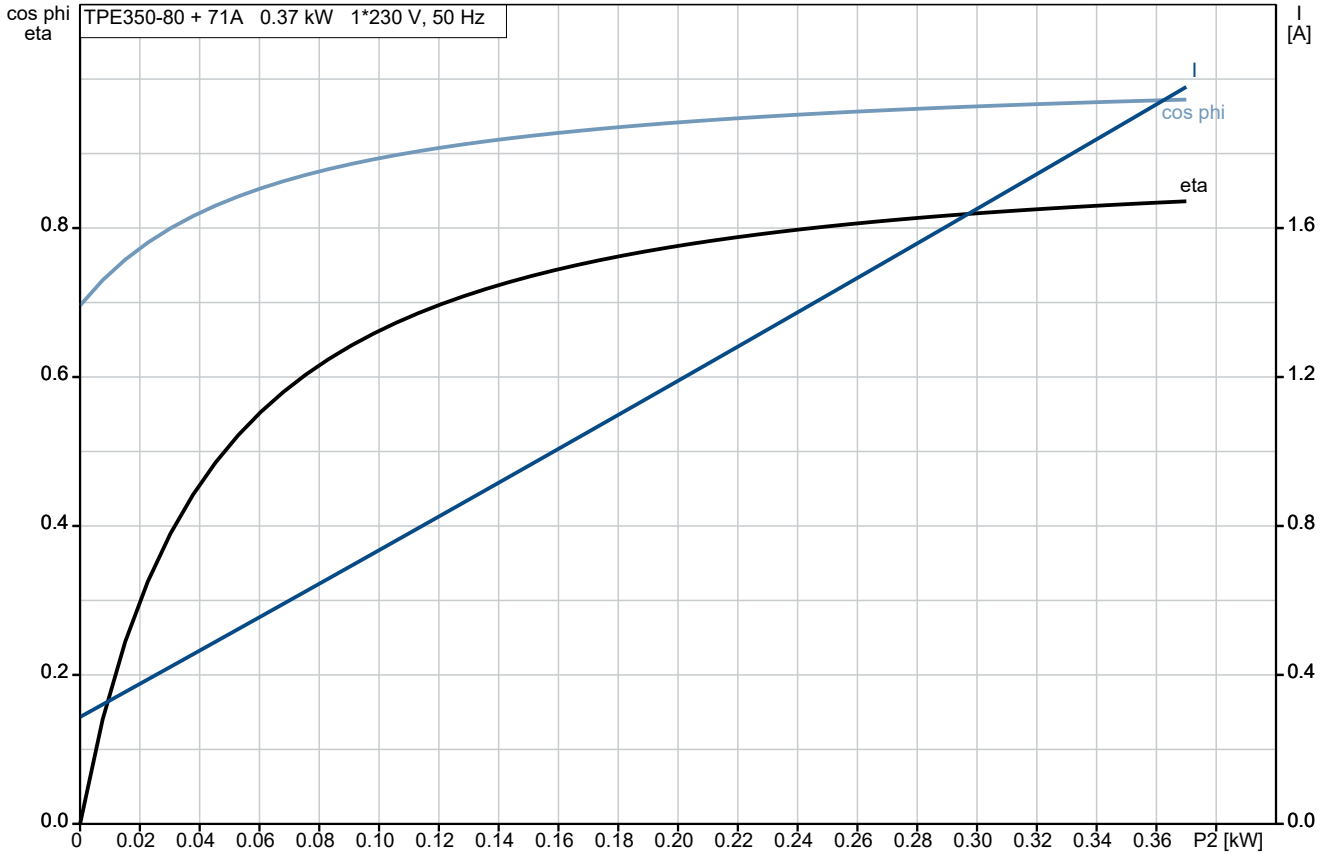


Company name: national pumps and boilers  
Created by:  
Phone: 01539 729395  
Email: info@nationlapumpsandboilers.co.uk  
Date: 04/01/2024

Project:  
Reference Number:

Client:  
Client Number:  
Contact:

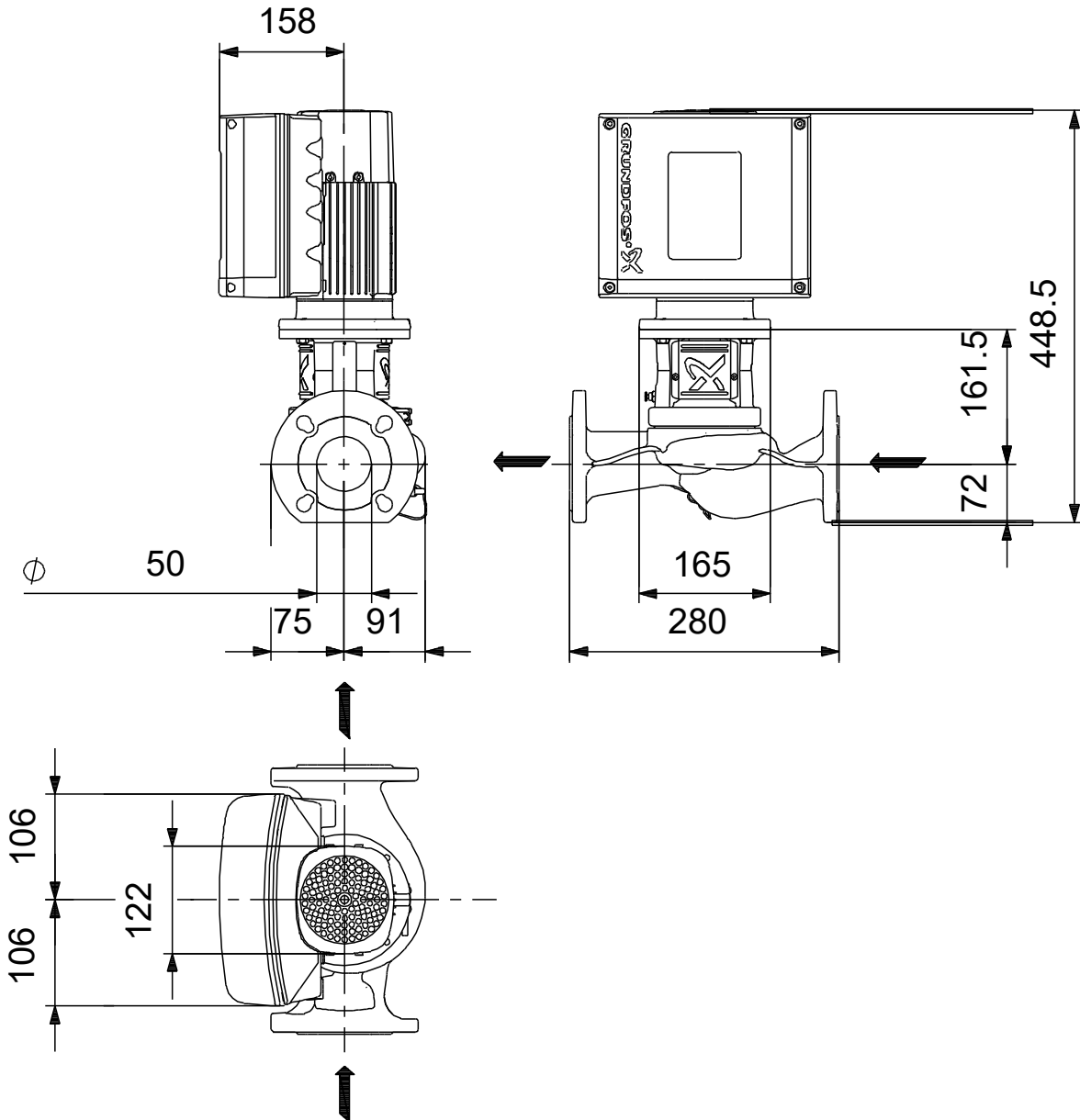
### 99272256 TPE3 50-80 S-A-F-A-BQQE-DYB



Project:  
 Reference Number:

Client:  
 Client Number:  
 Contact:

**99272256 TPE3 50-80 S-A-F-A-BQQE-DYB**

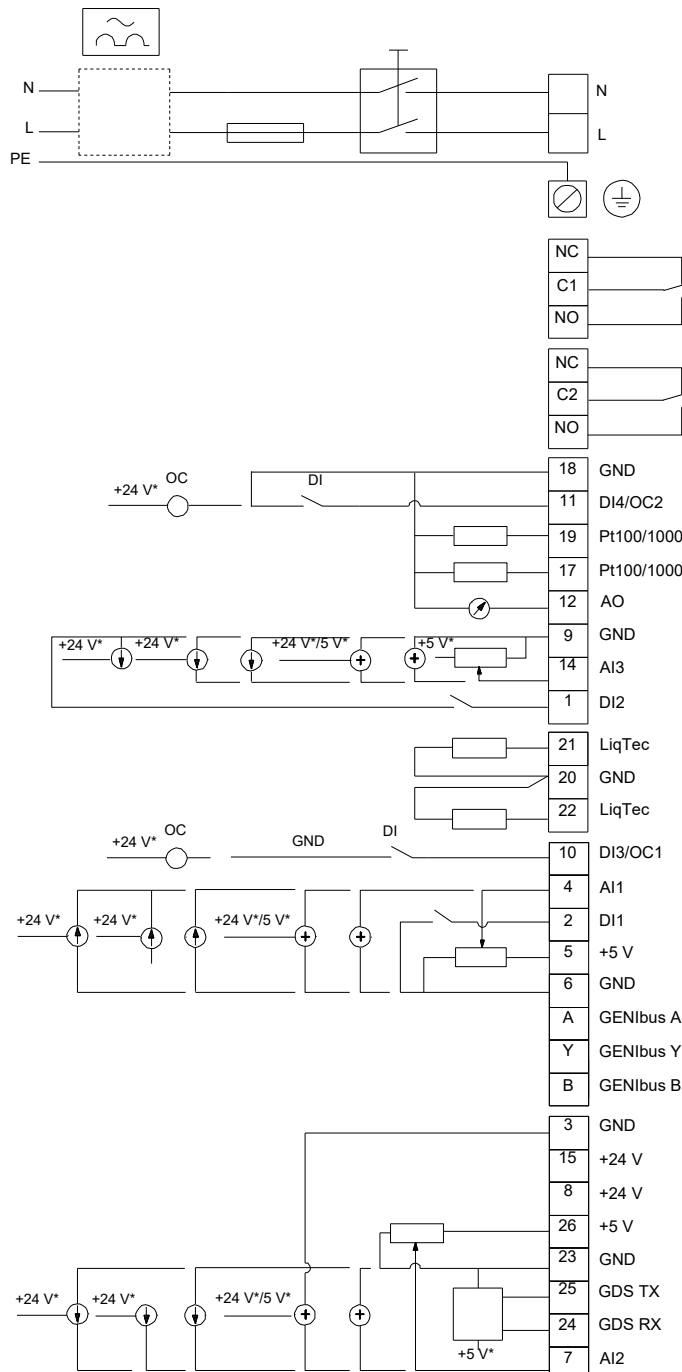


Note! All units are in [mm] unless others are stated.  
 Disclaimer: This simplified dimensional drawing does not show all details.

**Project:**  
**Reference Number:**

**Client:**  
**Client Number:**  
**Contact:**

## 99272256 TPE3 50-80 S-A-F-A-BQQE-DYB



Note! All units are in [mm] unless others are stated.