

Project:
Reference Number:

Client:
Client Number:
Contact:

Qty.	Description
1	<p data-bbox="199 436 582 465">TPE3 50-180 S-A-F-A-BQQE-GYC</p> <div data-bbox="271 481 518 795" style="text-align: center;">  </div> <p data-bbox="590 779 1061 806" style="text-align: center;">Note! Product picture may differ from actual product</p> <p data-bbox="199 810 470 840">Product No.: 99272259</p> <p data-bbox="199 873 1436 952">Single-stage, close-coupled, volute pump with in-line suction and discharge ports of identical diameter. The pump is of the top-pull-out design, i.e. the power head (motor, pump head and impeller) can be removed for maintenance or service while the pump housing remains in the pipework.</p> <p data-bbox="199 958 1380 1012">The shaft seal is according to EN 12756. Pipework connection is via PN 6/10 DIN flanges (EN 1092-2 and ISO 7005-2).</p> <p data-bbox="199 1019 1452 1070">The pump is fitted with a fan-cooled, permanent-magnet synchronous motor. The motor efficiency is classified as IE5 in accordance with IEC 60034-30-2.</p> <p data-bbox="199 1077 1436 1153">The motor includes a frequency converter and PI controller in the motor terminal box. This enables continuously variable control of the motor speed, which again enables adaptation of the performance to a given requirement. The pump is fitted with a combined temperature- and differential pressure sensor.</p> <p data-bbox="199 1160 303 1187">Controls:</p> <p data-bbox="199 1193 638 1220">Frequency converter: Built-in</p> <p data-bbox="199 1249 279 1276">Liquid:</p> <p data-bbox="199 1283 638 1310">Pumped liquid: Water</p> <p data-bbox="199 1317 702 1344">Liquid temperature range: -25 .. 120 °C</p> <p data-bbox="199 1350 630 1377">Selected liquid temperature: 20 °C</p> <p data-bbox="199 1384 694 1411">Density: 998.2 kg/m³</p> <p data-bbox="199 1440 311 1467">Technical:</p> <p data-bbox="199 1473 821 1500">Pump speed on which pump data are based: 4360 rpm</p> <p data-bbox="199 1507 670 1534">Rated flow: 26.1 m³/h</p> <p data-bbox="199 1541 638 1568">Rated head: 12.2 m</p> <p data-bbox="199 1574 638 1601">Actual impeller diameter: 74 mm</p> <p data-bbox="199 1608 638 1635">Code for shaft seal: BQQE</p> <p data-bbox="199 1641 774 1668">Curve tolerance: ISO9906:2012 3B2</p> <p data-bbox="199 1697 311 1724">Materials:</p> <p data-bbox="199 1731 734 1803">Pump housing: Cast iron EN-GJL-250 ASTM class 35</p> <p data-bbox="199 1809 718 1870">Impeller: Composite PES+30% GF</p> <p data-bbox="199 1899 327 1926">Installation:</p> <p data-bbox="199 1933 694 1960">Range of ambient temperature: -20 .. 50 °C</p> <p data-bbox="199 1966 638 1993">Maximum operating pressure: 10 bar</p> <p data-bbox="199 2000 734 2027">Max pressure at stated temp: 10 bar / 120 °C</p> <p data-bbox="199 2033 614 2060">Type of connection: DIN</p> <p data-bbox="199 2067 638 2094">Size of connection: DN 50</p> <p data-bbox="199 2101 654 2128">Pressure rating for connection: PN 6/10</p>



Company name: national pumps and boilers
Created by:
Phone: 01539 729395
Email: info@nationlapumpsandboilers.co.uk
Date: 04/01/2024

Project:
Reference Number:

Client:
Client Number:
Contact:

Qty.	Description
1	Port-to-port length: 280 mm Flange size for motor: 56C Electrical data: Motor type: 80A Rated power - P2: 1.1 kW Mains frequency: 50 / 60 Hz Rated voltage: 1 x 200-240 V Rated current: 6.80-5.70 A Cos phi - power factor: 0.99 Rated speed: 480-5900 rpm IE Efficiency class: IE5 Motor efficiency at full load: 85.7 % Enclosure class (IEC 34-5): IP55 Insulation class (IEC 85): F Motor No: 99138025 Others: Minimum efficiency index, MEI ≥: 0.70 Net weight: 24.7 kg Gross weight: 31.9 kg Shipping volume: 0.104 m ³ Danish VVS No.: 381602180 Swedish RSK No.: 5745883 Finnish LVI No.: 4616196 Norwegian NRF no.: 9043465

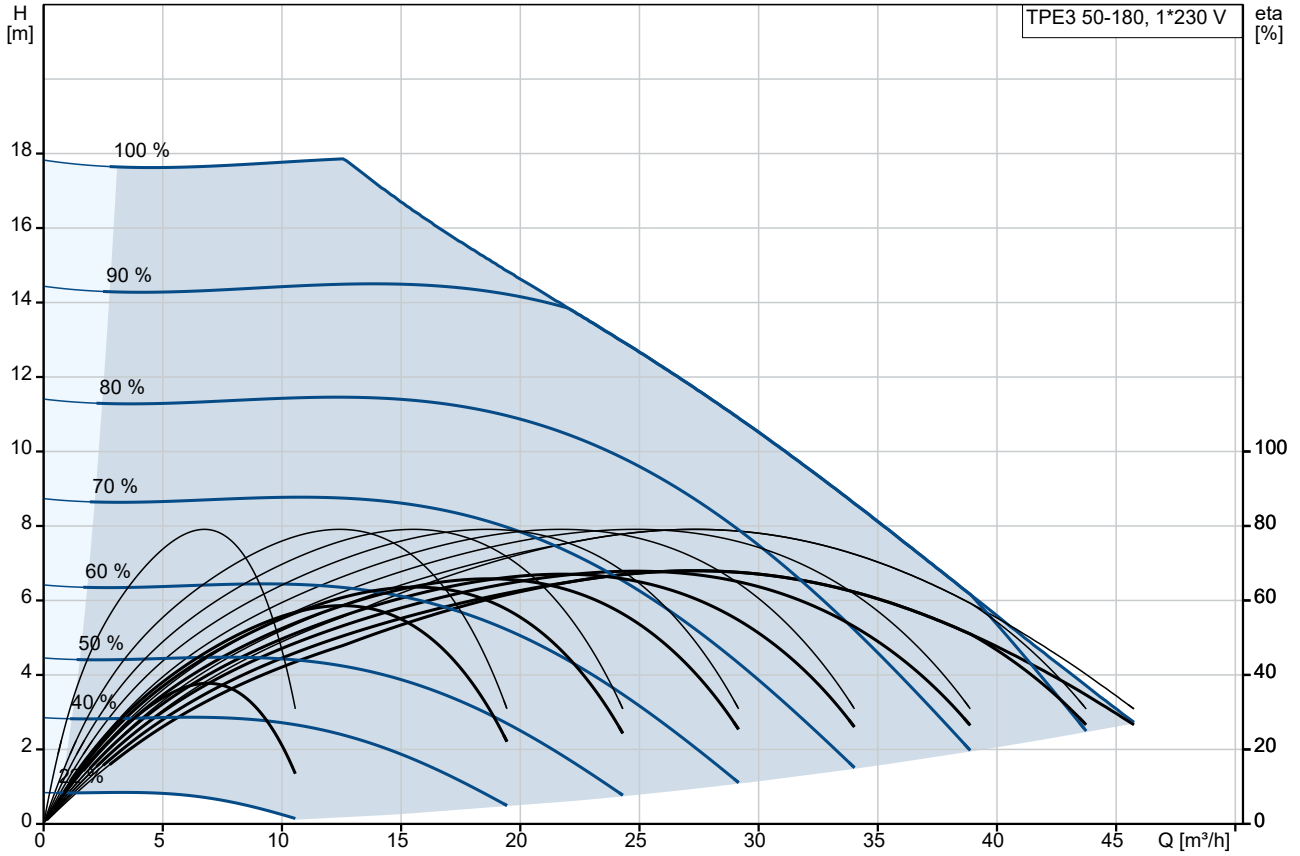


Company name: national pumps and boilers
Created by:
Phone: 01539 729395
Email: info@nationlapumpsandboilers.co.uk
Date: 04/01/2024

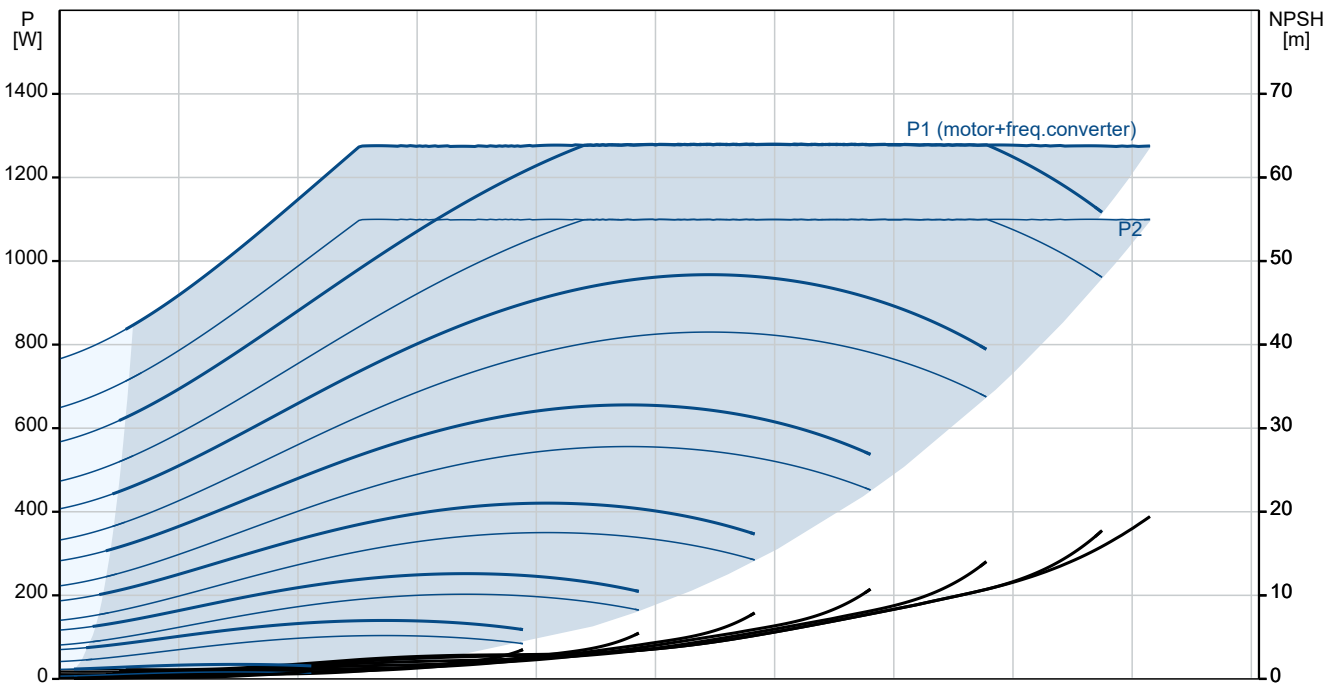
Project:
Reference Number:

Client:
Client Number:
Contact:

99272259 TPE3 50-180 S-A-F-A-BQQE-GYC



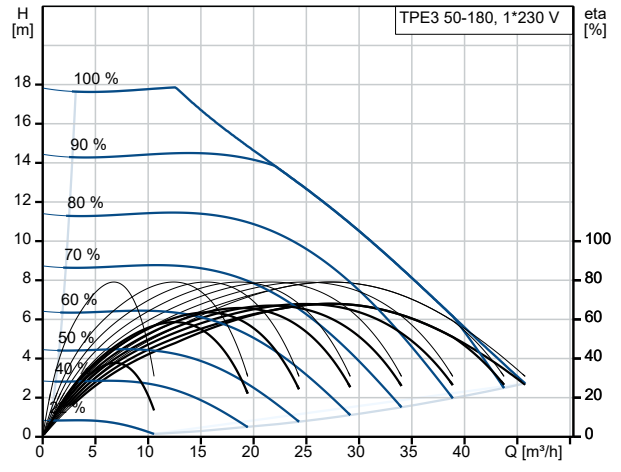
Pumped liquid = Water
 Liquid temperature during operation = 20 °C
 Density = 998.2 kg/m³



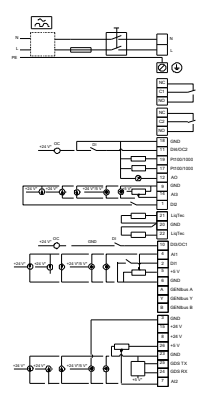
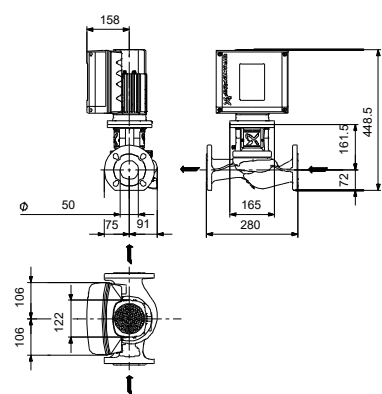
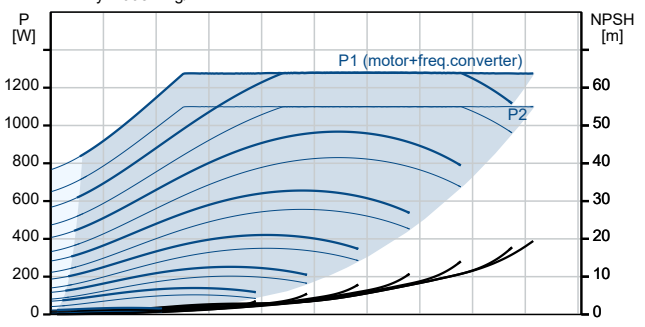
Project:
Reference Number:

Client:
Client Number:
Contact:

Description	Value
General information:	
Product name:	TPE3 50-180 S-A-F-A-BQQE-GYC
Product No:	99272259
EAN number:	5713826361099
Technical:	
Pump speed on which pump data are based:	4360 rpm
Rated flow:	26.1 m ³ /h
Rated head:	12.2 m
Maximum head:	180 dm
Actual impeller diameter:	74 mm
Code for shaft seal:	BQQE
Curve tolerance:	ISO9906:2012 3B2
Pump version:	A
Materials:	
Pump housing:	Cast iron
Pump housing:	EN-GJL-250
Pump housing:	ASTM class 35
Impeller:	Composite
Impeller:	PES+30% GF
Material code:	A
Installation:	
Range of ambient temperature:	-20 .. 50 °C
Maximum operating pressure:	10 bar
Max pressure at stated temp:	10 bar / 120 °C
Type of connection:	DIN
Size of connection:	DN 50
Pressure rating for connection:	PN 6/10
Port-to-port length:	280 mm
Flange size for motor:	56C
Connect code:	F
Liquid:	
Pumped liquid:	Water
Liquid temperature range:	-25 .. 120 °C
Selected liquid temperature:	20 °C
Density:	998.2 kg/m ³
Electrical data:	
Motor type:	80A
Rated power - P2:	1.1 kW
Mains frequency:	50 / 60 Hz
Rated voltage:	1 x 200-240 V
Rated current:	6.80-5.70 A
Cos phi - power factor:	0.99
Rated speed:	480-5900 rpm
IE Efficiency class:	IE5
Motor efficiency at full load:	85.7 %
Enclosure class (IEC 34-5):	IP55
Insulation class (IEC 85):	F
Built-in motor protection:	ELEC
Motor No:	99138025
Controls:	
Control panel:	HMI300 - Graphical
Function Module:	FM300 - Advanced
Frequency converter:	Built-in



Pumped liquid = Water
 Liquid temperature during operation = 20 °C
 Density = 998.2 kg/m³





Company name: national pumps and boilers
Created by:
Phone: 01539 729395
Email: info@nationlapumpsandboilers.co.uk
Date: 04/01/2024

Project:
Reference Number:

Client:
Client Number:
Contact:

Description	Value
Others:	
Minimum efficiency index, MEI ≥:	0.70
Net weight:	24.7 kg
Gross weight:	31.9 kg
Shipping volume:	0.104 m ³
Config. file no:	98481400
Danish VVS No.:	381602180
Swedish RSK No.:	5745883
Finnish LVI No.:	4616196
Norwegian NRF no.:	9043465

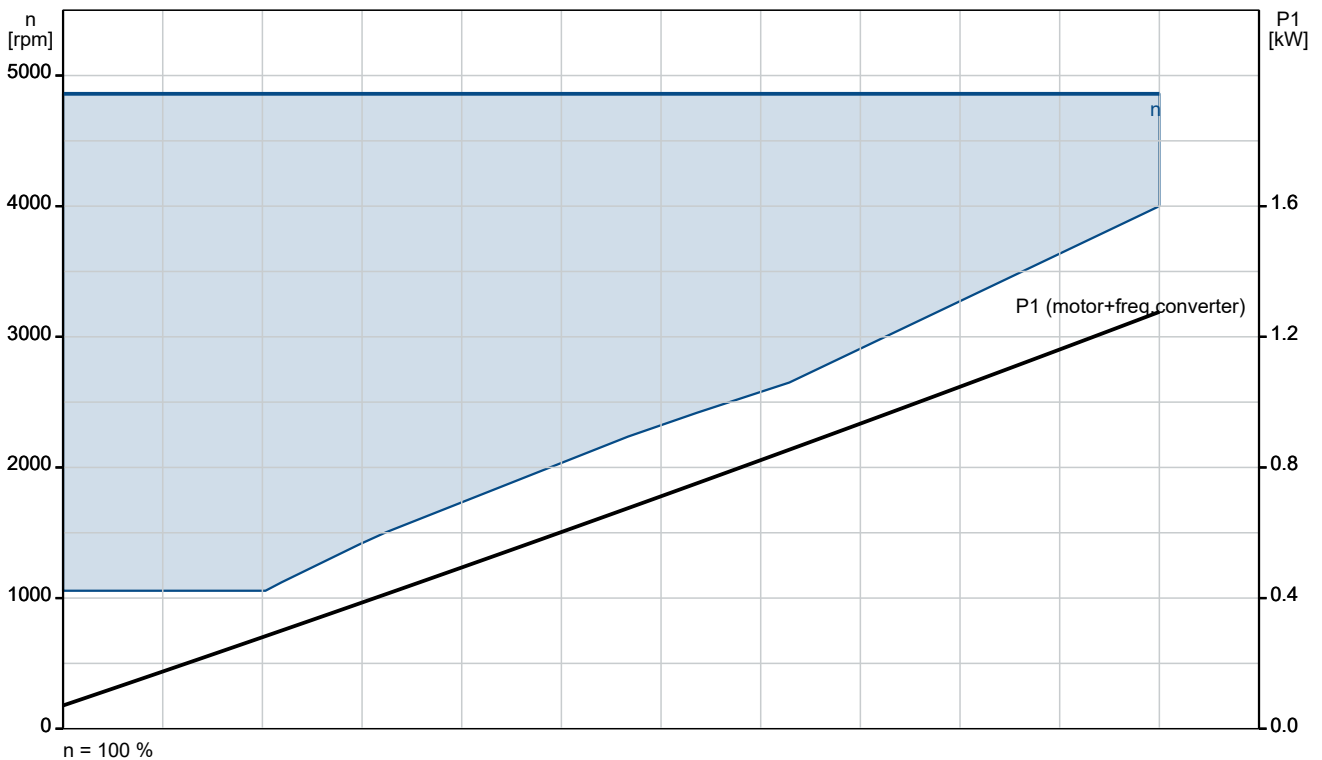
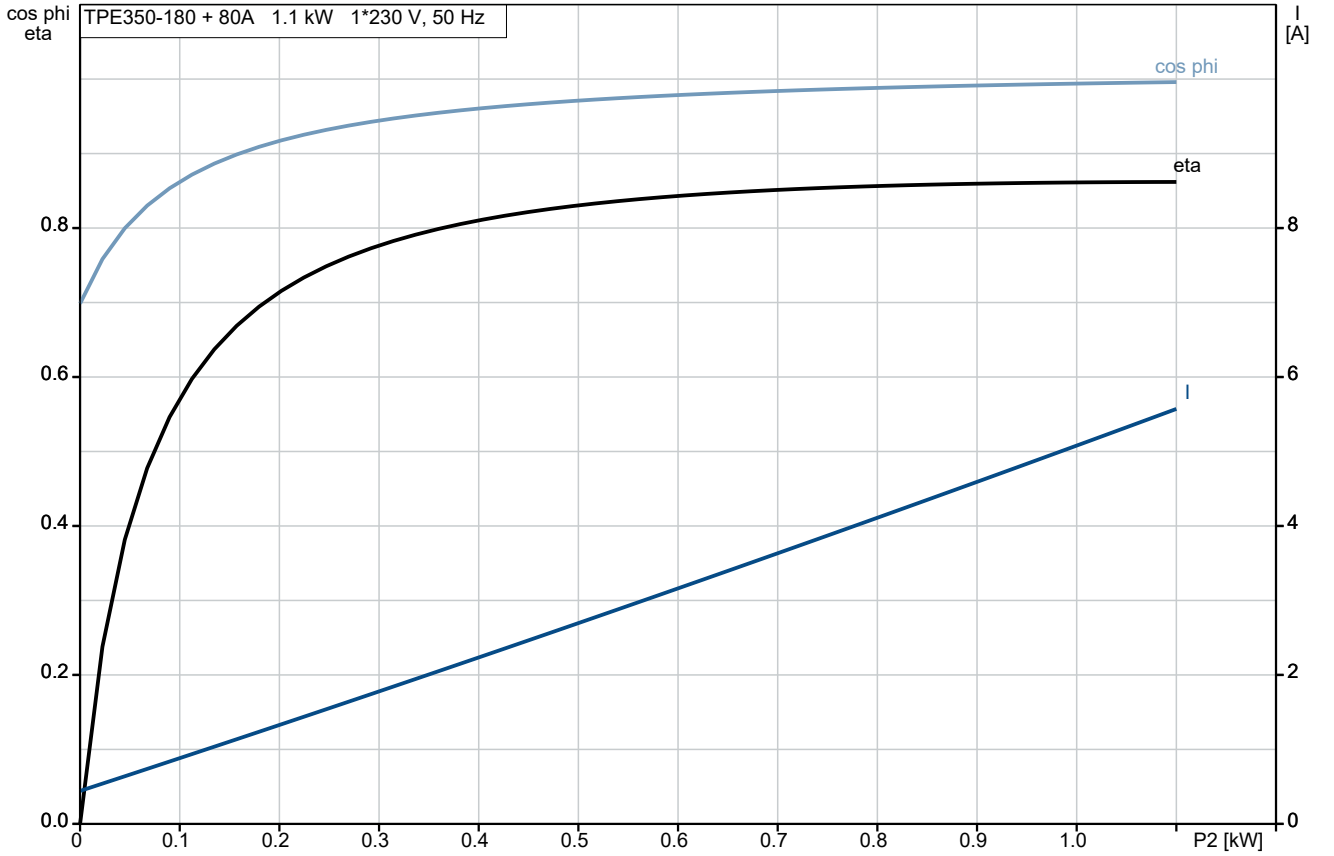


Company name: national pumps and boilers
Created by:
Phone: 01539 729395
Email: info@nationlapumpsandboilers.co.uk
Date: 04/01/2024

Project:
Reference Number:

Client:
Client Number:
Contact:

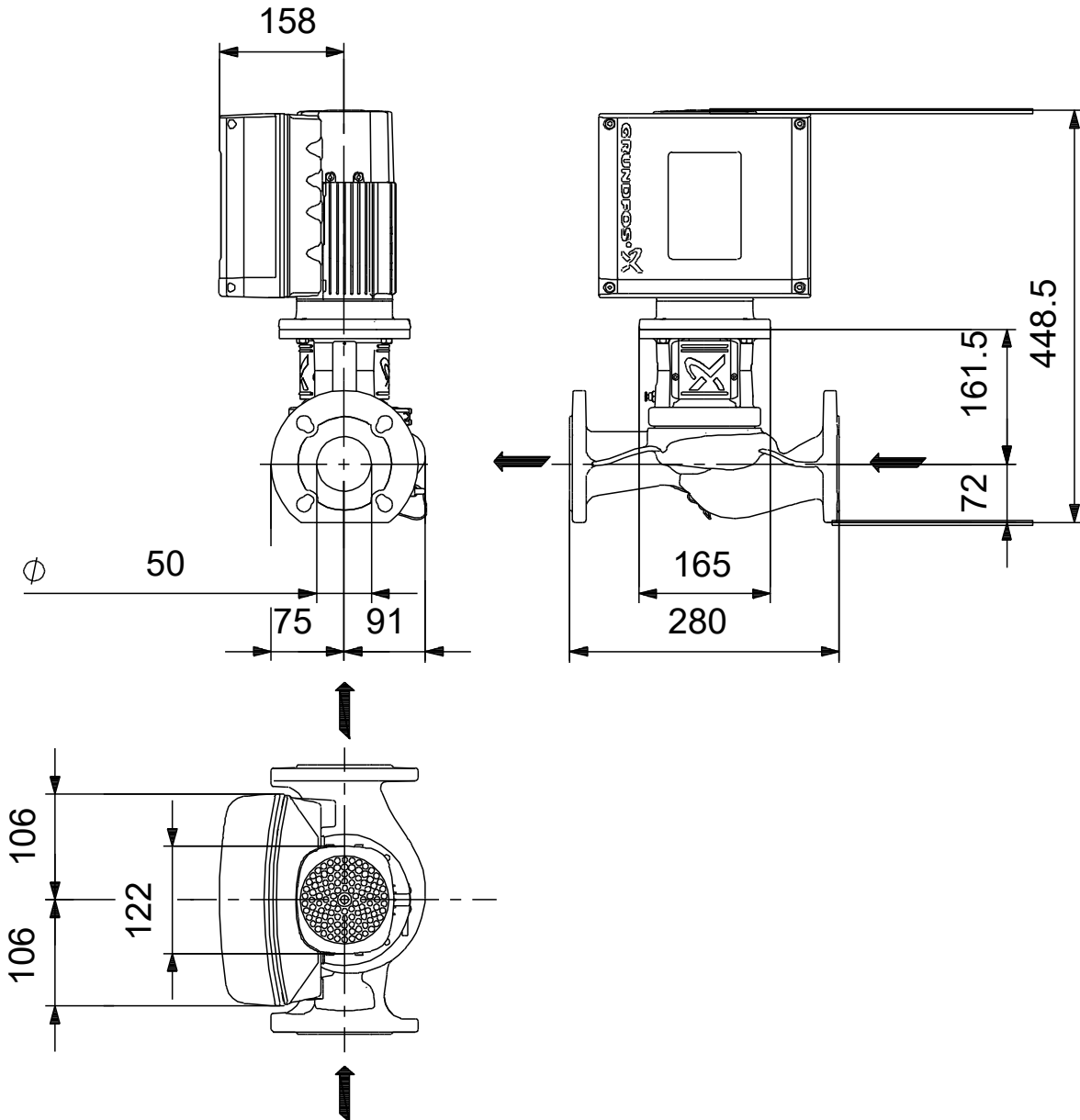
99272259 TPE3 50-180 S-A-F-A-BQQE-GYC



Project:
Reference Number:

Client:
Client Number:
Contact:

99272259 TPE3 50-180 S-A-F-A-BQQE-GYC

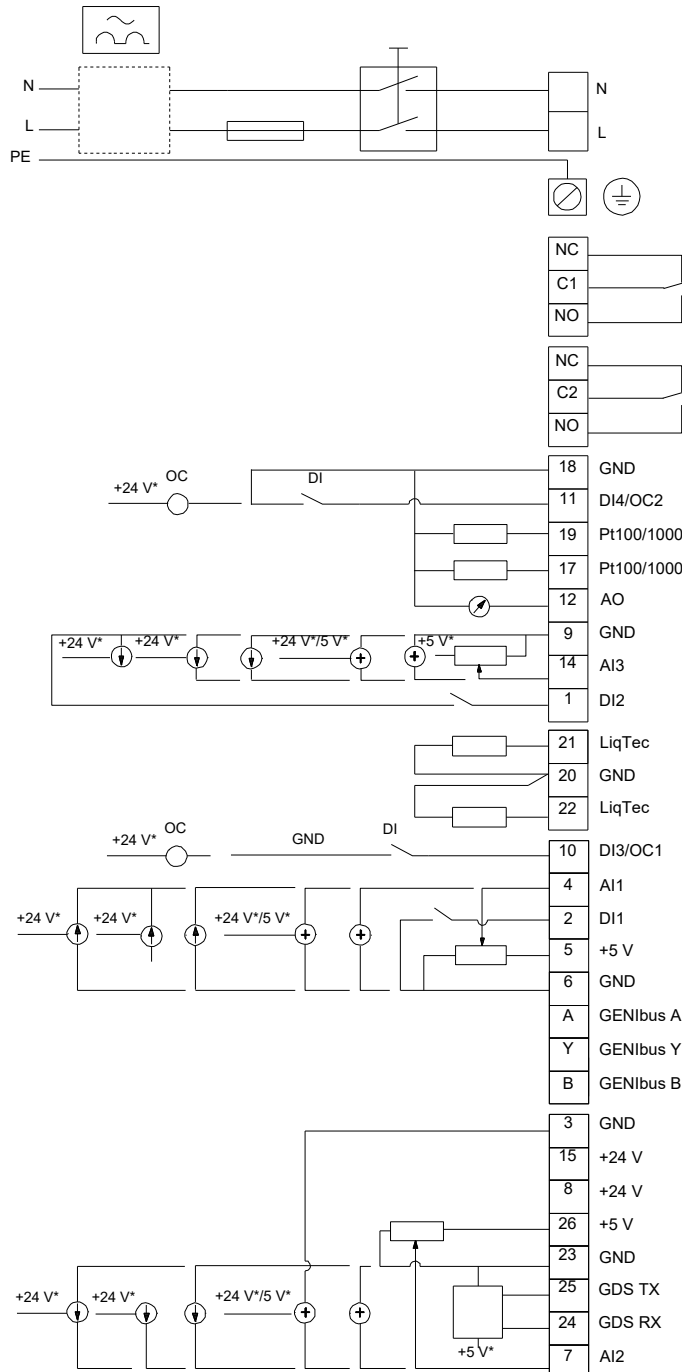


Note! All units are in [mm] unless others are stated.
 Disclaimer: This simplified dimensional drawing does not show all details.

Project:
Reference Number:

Client:
Client Number:
Contact:

99272259 TPE3 50-180 S-A-F-A-BQQE-GYC



Note! All units are in [mm] unless others are stated.