

SHOWERMATE

Universal Single Pump

Showermate Universal Single shower pumps can be used in pairs to pump hot and cold water supplies independently, or as a single pump to boost the hot or cold water supply as required.

High quality, high performance compact pump supplied with two 15 mm anti-vibration flexible hoses.

All Showermate Universal pumps are suitable for use in open vented (gravity fed) systems for both positive & negative head applications.

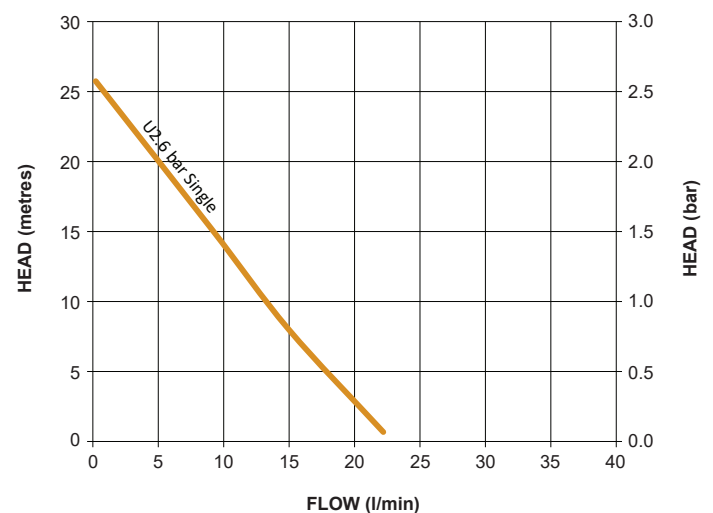


Features

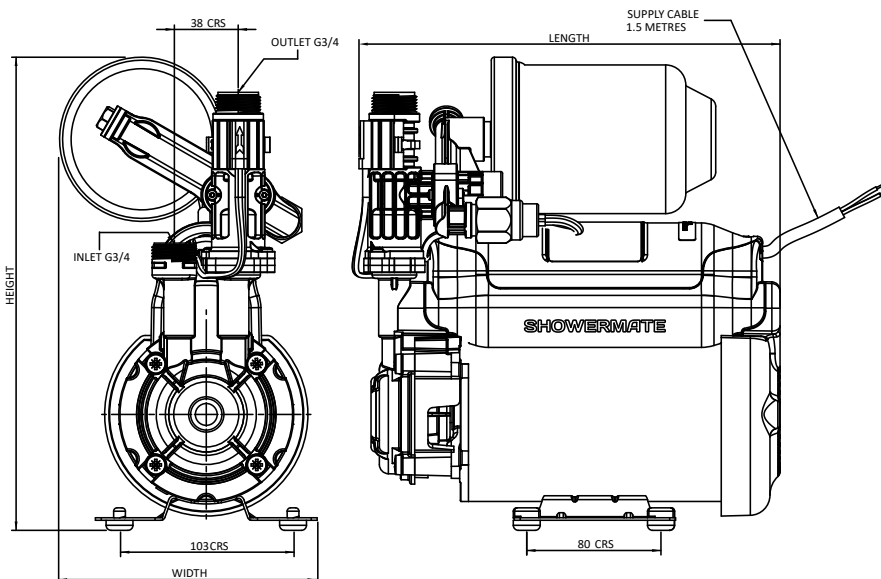
- 3 year warranty
- 2.6 bar option
- Suitable for positive or negative head applications
- High quality, high performing plastic pump supplied with 15 mm flexible hoses
- Quiet operation
- WRAS Approved Product
- Continuously rated
- Anti-vibration feet
- EPDM/PTFE/Al. Oxide seal
- Pre-wired with 1.5 metre power cable

Application

- Low pressure gravity systems – boosting hot or cold water supplies to a single shower or to up to four outlets within a bathroom
- Showermate Universal pumps are suitable for use where there is less than 1 litre/min gravity flow from the outlet(s) to be boosted



Pump Model		U2.6 bar Single 47375
General	Warranty	3 years (requires registration)
	Conformity certification	UKCA CE
Features	Pump type	Peripheral
	Pump control	Pressure & flow switch
	Anti-vibration feet	✓
	Flexible hoses	2
	Run on timer	3 sec
	Dry run protection	✓
	Typical noise	58 dB(A)
Performance	Maximum head – closed valve	2.6 bar (26 metres)
	Performance @ 9 l/min	1.5 bar (15 metres)
	Performance @ 18 l/min	0.5 bar (5 metres)
	Maximum flow	22 l/min
	Maximum static inlet pressure	6 metres
	Maximum static outlet pressure	6 metres
	Maximum working pressure*	400 kPa (4.0 bar)
	Maximum ambient air temperature	40 °C
	Min / Max water temperature**	Min 4 °C / Max 65 °C
	Flow switch sensitivity	0.8 l/min (approx)
	Pressure vessel air pre-charge	1.5 bar (21.75 psi)
Materials	Pump body	Plastic
	Impeller	Plastic
	Mechanical seal	EPDM / PTFE / Al. Oxide
Connections	Pump connections	G ¾ male
Flexible hoses	Connections	G ¾ F x 15 mm push-fit x 200 mm long
Motor	Type	Induction (auto-reset thermal trip)
	Duty rating	Continuous (S1) @ 9 l/min and above
Electrical	Power supply (Vac/Ph/Hz)	230 V a.c. / 1 / 50 Hz
	Power consumption – P1	310 Watts
	Current – full load	1.4 Amps
	Fuse rating	5 Amps
	Power cable length	1.5 metres (pre-wired to terminal block)
Physical	Enclosure protection	IP22
	Length	251 mm
	Width	154 mm
	Height – excluding hoses	282 mm
	Weight – including fittings	4.7 Kg



* The maximum pressure that can be applied to the pump under any installation conditions.

** A stored water temperature of 60 °C is considered sufficient to meet all normal requirements and will minimise deposition of scale in hard water areas.

Stuart Turner Limited reserves the right to amend specifications without notice.

Stuart Turner Ltd, Henley-on-Thames, Oxfordshire RG9 2AD Tel: +44 (0) 1491 572655

TechAssist Helpline +44 (0) 800 31 969 80

www.stuart-turner.co.uk

Pt. No. 19360 Issue 2024-01-01