

Receiver

From

Society
Reference
Address
Phone
Fax
E-mail

Item n° : 60151000
Customer pos. no.:
Model : EVOPLUS D 120/220.32 M

Pump data
Pressure rating : 1,6 MPa
Min. fluid temperature : -10 °C
Max. fluid temperature : 110 °C
EEI : ≤ 0,20

Minimum suction head :
Temperature : °C 90 - 100
Minimum suction head : m 20 - 25

Requested data
Flow :
Head :
Fluid (%) :
Fluid Temperature : 20 °C
Density : 998,3 kg/m³
Kinematic viscosity : 1,005 mm²/s
Vapor pressure : 0,00 MPa

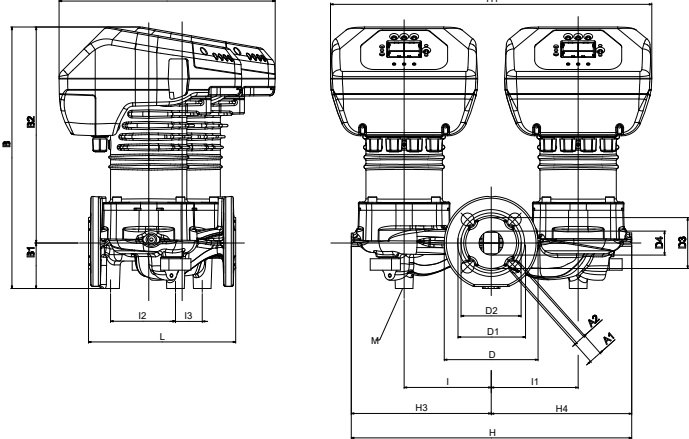
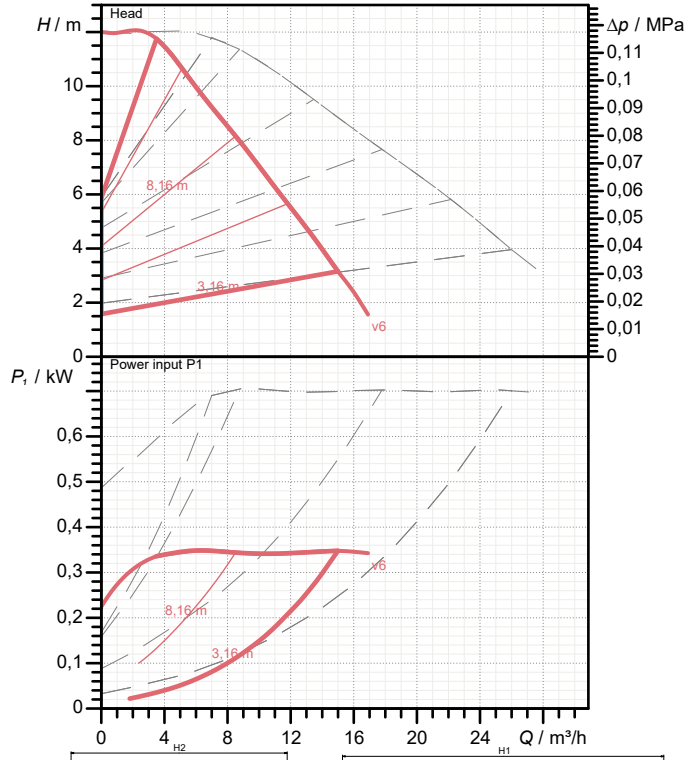
Hydraulic data (duty point)
Flow :
Head :

Materials
Pump body : Cast iron 250 UNI ISO 185 - CTF
Impeller : Technopolymer
Motor shaft : Stainless steel
Seal ring : EPDM
Motor casing : Die cast aluminium
Closing flange : Stainless steel
Thrust ring support : Stainless steel

Motor data
Motor brand : DAB
Power input P1 : 1 X 0,34 kW
Rated voltage : 1~ 220-240 V 50 Hz
Nominal current : 1 X 1,7 A
Degree of protection : IP 44

Curve tolerance according to ISO 9906

Number of working motors : 1



Dimensions in mm	
A1	19
A2	14
B	391
B1	68
B2	323
D	140
D1	100
D2	90
D3	76
D4	36
H	419
H1	480
H2	323
H3	209
H4	210
I	130
I1	130
I2	97
I3	40
L	220
M	M12

Weight : 36,2 kg

Pump connection
Suction side : DN 32 / PN6, PN10, PN16
Discharge side : DN 32 / PN6, PN10, PN16



PERFORMANCE CURVES

DAB PUMPS S.p.A.
Via Marco Polo, 14 - 35035 Mestrino (PD), Italy
Tel. +39 049 5125000 - Fax +39 049 5125950
www.dabpumps.com

2023-02-06

Page 2 / 3

Receiver

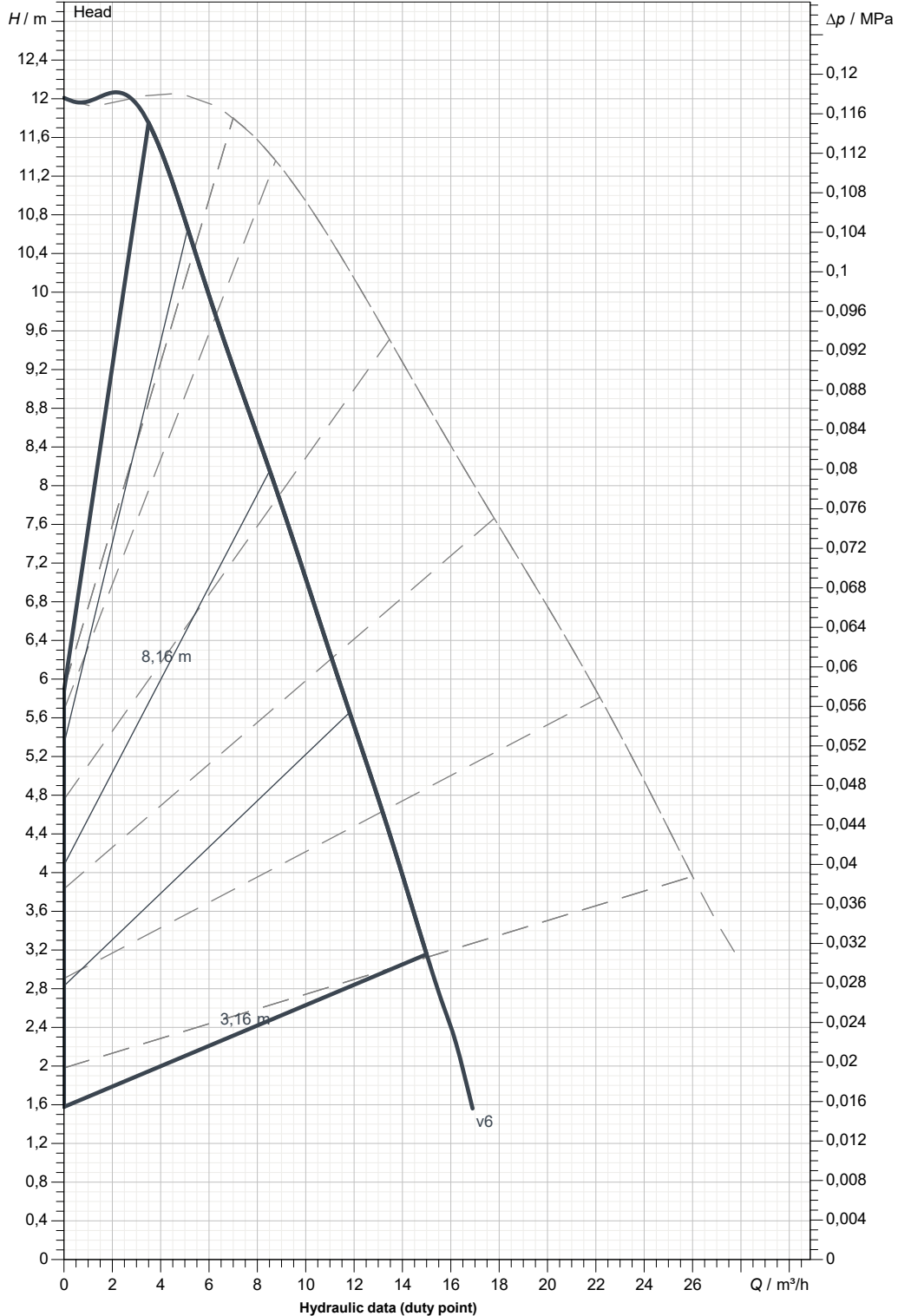
From

Society
Reference
Address
Phone
Fax
E-mail

EVOPLUS D 120/220.32 M

Number of working motors : 1

Curve tolerance according to ISO 9906



Suction side :

DN 32

PN6, PN10, PN16

Discharge side :

DN 32

PN6, PN10, PN16

Flow :

Head :

Rated speed :

2.900 1/min

MAIN_PROJECT_TITLE

BUSINESS_PROCESS_ID

OWNER_

ISSUE_DATE

2023-02-06



DIMENSIONAL DRAWING

DAB PUMPS S.p.A.
Via Marco Polo, 14 - 35035 Mestrino (PD), Italy
Tel. +39 049 5125000 - Fax +39 049 5125950
www.dabpumps.com

2023-02-06

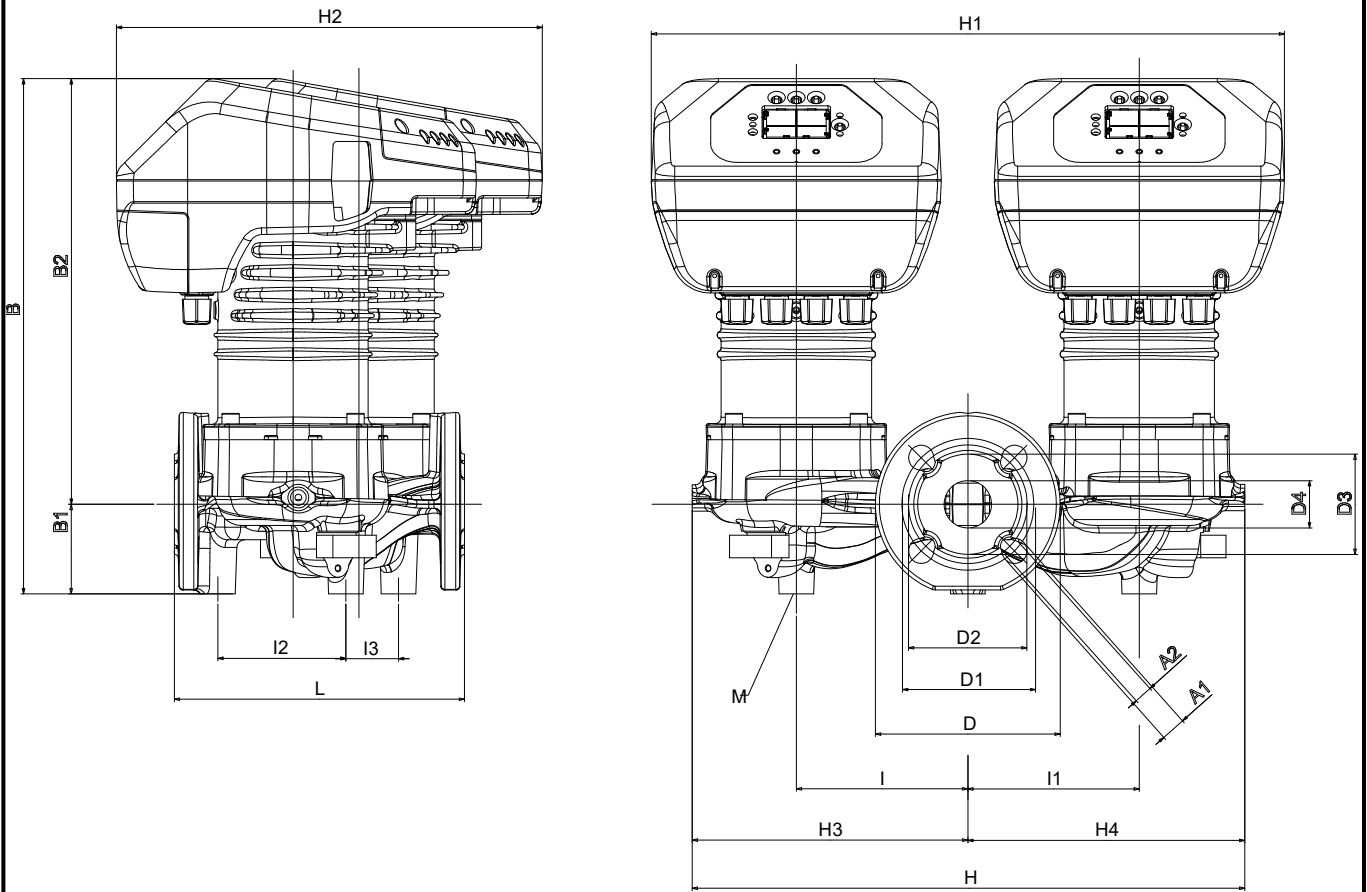
Page 3 / 3

Receiver

From

Society
Reference
Address
Phone
Fax
E-mail

EVOPLUS D 120/220.32 M



Dimensions in mm					Pump connection	
1	A1	19	H1	480	Suction DN 32 PN6, PN10, PN16 Discharge DN 32 PN6, PN10, PN16	
2	A2	14	H2	323		
3	B	391	H3	209		
4	B1	68	H4	210		
5	B2	323	I	130		
6	D	140	I1	130		
7	D1	100	I2	97		
8	D2	90	I3	40		
9	D3	76	L	220		
10	D4	36	M	M12		
11	H	419				

MAIN_PROJECT_TITLE	BUSINESS_PROCESS_ID	OWNER	ISSUE_DATE 2023-02-06
--------------------	---------------------	-------	---------------------------------