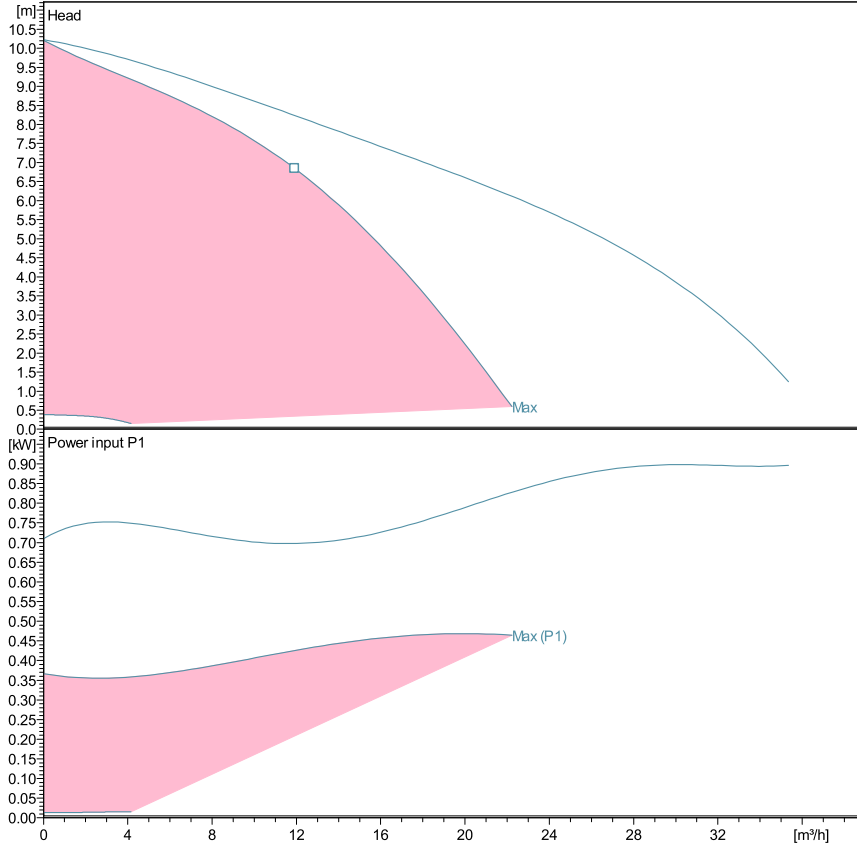


## ecocirc XL D 40-100 F

### Technical data

Company name  
Contact  
Phone number  
e-mail address



Performance according to ISO 9906:2012 – Grade 3B

Liquid temperature:

Power data referred to:

-10°C (14°F) to +110 °C (230°F) for heating pumps

Water, pure [100%]; 4°C; 1000kg/m³; 1.57mm²/s

-10°C (14°F) to +85 °C (185°F) for domestic hot water pumps



### Pump data

|                       |                 |
|-----------------------|-----------------|
| Make                  | Lowara          |
| Port to port (mm)     | 220             |
| Electrical connection | Terminals       |
| Specific EEI          | <= 0,23         |
| Nominal pressure      | PN 6/10         |
| Connection            | Flanged / DN 40 |

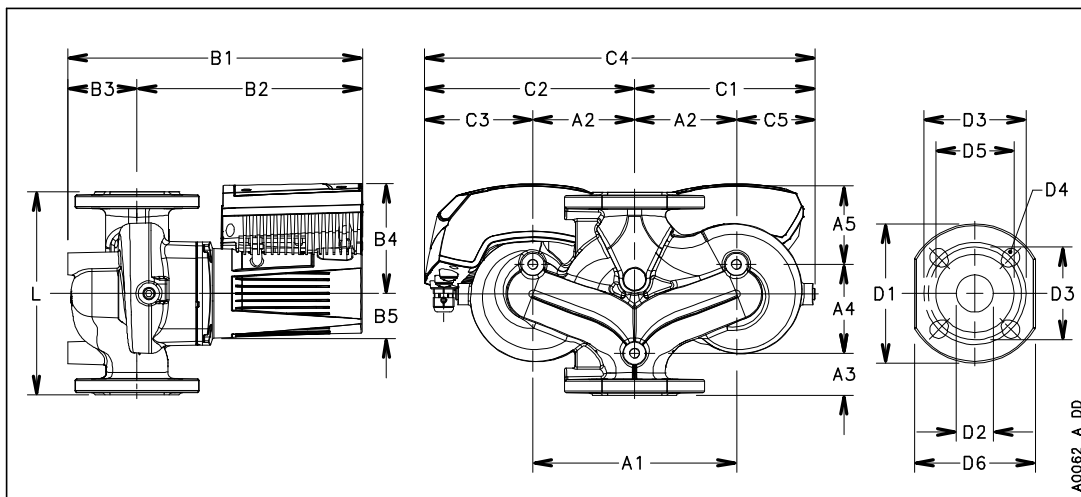
### Electrical data

|                            |                             |
|----------------------------|-----------------------------|
| Rated voltage              | 230 V                       |
| Frequency                  | 50 / 60                     |
| Protection class           | IP 44                       |
| Insulation class           | F                           |
| Digital input              | Contact load: 5V, 10 mA     |
| Digital output             | Vmax < 250 VAC / Imax < 2 A |
| Analog input               | 0-10 V / 4-20 mA            |
| Leakage current            | < 3.5 mA                    |
| Communication capabilities | No communication protocol   |
| Sound pressure level       | <= 48 dB(A)                 |
| Rated current              | 1.4 A                       |

### Materials

|                |                           |             |                 |
|----------------|---------------------------|-------------|-----------------|
| Bush Bearing   | Carbon, resin impregnated | Impeller    | PPS             |
| Thrust bearing | Aluminium                 | Wear ring   | Stainless steel |
| Bearing plate  | Stainless steel           | Rotor can   | Stainless steel |
| Motor housing  | Aluminum                  | Shaft       | Stainless steel |
| O-rings        | EPDM                      | Control box | Poly carbonate  |
| PUMP HOUSING   | Cast Iron                 |             |                 |

### Dimensions mm



|              |           |
|--------------|-----------|
| A1           | 215       |
| A2           | 107.5     |
| A3           | 45        |
| A4           | 95        |
| A5           | 80        |
| B1           | 330       |
| B2           | 259       |
| B3           | 71        |
| B4           | 130       |
| B5           | 51        |
| C1           | 186       |
| C2           | 235       |
| C3           | 128       |
| C4           | 421       |
| C5           | 79        |
| D1           | 150       |
| D2           | 45        |
| D3           | 100/110   |
| D4           | 4 x 14/19 |
| D5           | 84        |
| G            | DN 40     |
| Gross Weight | 35.3      |
| L            | 220       |
| Net Weight   | 27.8      |