



MIKROFILL 3 PRESSURISATION

MIKROFILL.COM

 **MIKROFILL**[®]
by **STUART TURNER**

ABOUT US

Mikrofill as part of the Stuart Turner Group are innovative UK designers and manufacturers of commercial condensing boilers, hot water loading systems, dosing pots and pressurisation equipment. Top product quality, reliability, innovation and customer service.

Customers can expect nothing but the best product, using the latest technology, manufactured to the highest quality standards, resulting in the most reliable solution available.

All our products are designed and manufactured in the UK.

For further information, Telephone: **TechAssist +44 3452 606020** E-mail: info@mikrofill.com or visit mikrofill.com



UNRIVALLED SUPPORT

We are specialists in our field, with a dedicated team able to offer help at every stage.

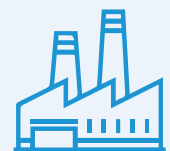
DESIGN EXPERTISE

Our expert team can conduct a detailed analysis of the performance requirements of the intended project to produce a fully costed proposal. All our systems are custom designed in-house using the latest CAD software to develop, evaluate and aid the design of the most efficient solution for your specific needs.



MANUFACTURING AND EXPORT EXCELLENCE

We have invested in the latest production and manufacturing technologies to ensure we work to the highest quality standards. This guarantees our system reliability whilst at the same time maximising efficiency and shipping on time and in full.



ON-GOING SUPPORT

The quality and reliability of our products and services are second to none, allowing you peace of mind when you specify Mikrofill. However, should you experience any issues we have a dedicated team of technical experts available to help. The TechAssist team are available to offer technical advice or guidance on any aspect of product selection.

Technical helpline:

TechAssist +44 (0) 3452 606020



INTRODUCING

MIKROFILL 3

SEALED SYSTEM PRESSURISATION

NEVER MISS A BEAT

The MIKROFILL 3 is the most advanced 'direct-type' pressurisation unit available, suitable for sealed system LPHW / CHW applications of any size.

Unlike 'pump type' pressurisation units the MIKROFILL 3 is designed to be connected directly to a buildings incoming mains/boosted water supply and fill a heating or chilled water system without the use of a pump.

The MIKROFILL 3 is the most energy efficient unit of its kind consuming as little as 10 watts/hr on standby and 30 watts/hr fully operational.

The MIKROFILL 3 pressurisation unit features:

- WRAS Approved Product – Fluid Risk Category 4 backflow prevention
- The ability to fill directly from mains/boosted water supply any LPHW or CHW system from empty
- Comprehensive electronic pressure management



MIKROFILL 3

“Pre-commissioned packages are available which include the MIKROFILL 3 with appropriately sized vessels and service drain valves.”

INTRODUCING

MIKROFILL 3

- ▶ SYSTEM FILLING AND PRESSURE MANAGEMENT
- ▶ INTEGRAL BACKFLOW PREVENTION
- ▶ COMPACT AND SIMPLE TO INSTALL
- ▶ SYSTEM FILL VOLUME INDICATOR
- ▶ LEAK DETECTION AND FLOOD PREVENTION
- ▶ LOW POWER CONSUMPTION

The MIKROFILL 3 is the most advanced 'direct-type' pressurisation unit available, suitable for sealed system LPHW / CHW applications of any size.

Unlike 'pump type' pressurisation units the MIKROFILL 3 is designed to be connected directly to a buildings incoming mains/boosted water supply and fill a heating or chilled water system without the use of a pump.

LEAK ALERT & FLOOD PROTECTION

97% MORE ENERGY EFFICIENT THAN SOME PUMP TYPE UNITS

AUTOMATICALLY MAINTAINS SYSTEM PRESSURE

PLUG & PLAY, COMMISSIONED AND READY TO INSTALL

DIRECT MAINS WATER CONNECTION

NO RPZ VALVE OR ANNUAL VERIFICATION REQUIRED

FEATURES

System filling and pressure management

Connects directly to the mains/boosted cold water supply and accurately manages system pressure.

Approved commercial system backflow prevention

Featuring commercial system Category 4 backflow prevention, the MIKROFILL 3 is a WRAS Approved Product and does not require a separate RPZ valve or annual verification.

Fill volume indicator

Intelligent system fill volume indicator provides early warning of system leakage and aids water treatment calculation.

Advanced digital controls

Featuring intuitive, easy to use menu system and backlit colour LCD matrix display.

Low power consumption

Energy efficient, consuming as little as 10 watts/hr on standby and 30 watts/hr fully operational.

Compact and easy to install

Extremely compact, can be wall mounted and is very easy to install and commission.



MIKROFILL 3

MIKROFILL 3

The MIKROFILL 3 can fill any heating or chilled water system from empty and continuously manages system pressure.

Unlike pump type pressurisation units, the MIKROFILL 3 is designed to be connected directly to a buildings incoming mains/ boosted water supply and fill a heating or chilled water system without the use of a pump.

It provides commercial backflow protection without the need for a traditional RPZ valve, does not require annual verification and is compact and easy to install.



- ▶ SYSTEM FILLING & PRESSURE MANAGEMENT
- ▶ INTEGRAL BACKFLOW PREVENTION
- ▶ COMPACT & EASY TO INSTALL
- ▶ SYSTEM FILL VOLUME INDICATOR
- ▶ SYSTEM STATUS & FAULT CODE DISPLAY
- ▶ LEAK DETECTION AND FLOOD PREVENTION
- ▶ BMS CAPABILITY
- ▶ WRAS APPROVED PRODUCT

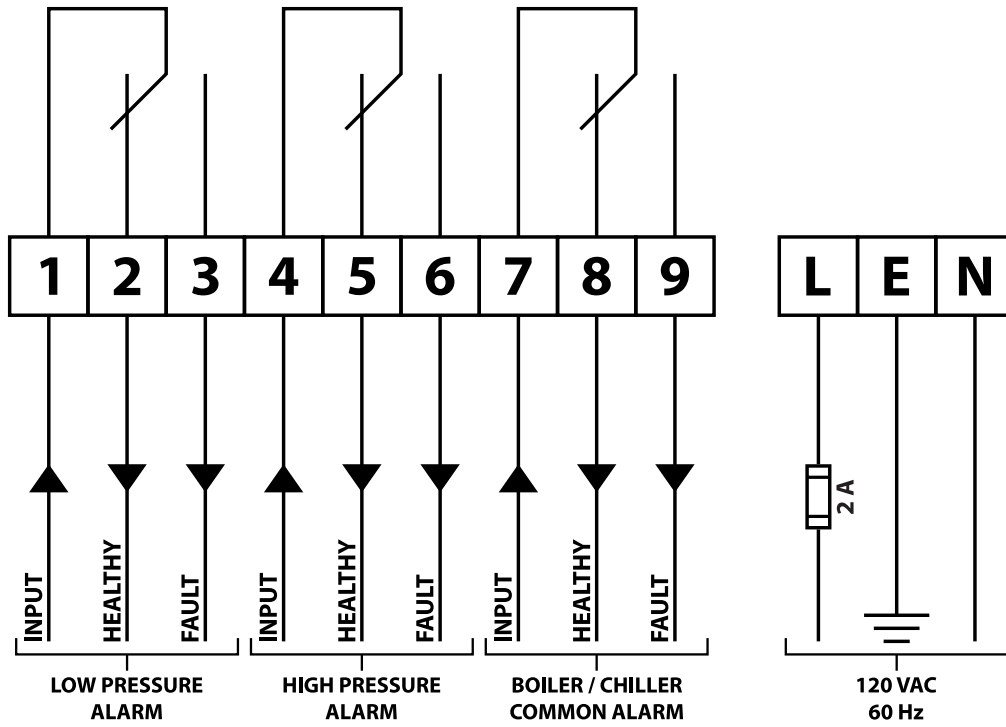
Part No	Model	Max Cold Fill Pressure (bar)	Height (mm)	Width (mm)	Depth (mm)	Weight (kg)
MIK120023	MIKROFILL 3	4.7 bar	270	250	112	5.0

MIKROFILL 3 SPECIFICATIONS

		MIKROFILL 3 MIK120023
General	Warranty	2 years
	WRAS	WRAS Approved Product (1212069)
	Conformity certification	UKCA / CE
	Mounting	Wall mount
Performance	Maximum cold fill pressure	4.7 bar
	Maximum inlet pressure	5.0 bar
	Nominal flow rate	14 litres/min (@ 2 bar)
Connections	Cold water inlet	15 mm compression
	System outlet	15 mm compression
	Drain (via tundish)	¾" BSP
Electrical	Power supply (Va.c./Ph/Hz)	230 V a.c. / 1 / 50 Hz
	Power consumption - standby	10 Watts
	Power consumption - filling	30 Watts
	Current - full load	1.0 Amps
	Current - starting	1.0 Amps
	Fuse rating	3 Amp
	BMS relays - max load	240 V a.c. / 5.0 Amps
Dimensions	Height	270 mm
	Width	250 mm
	Depth	112 mm
	Weight	5.0 kg

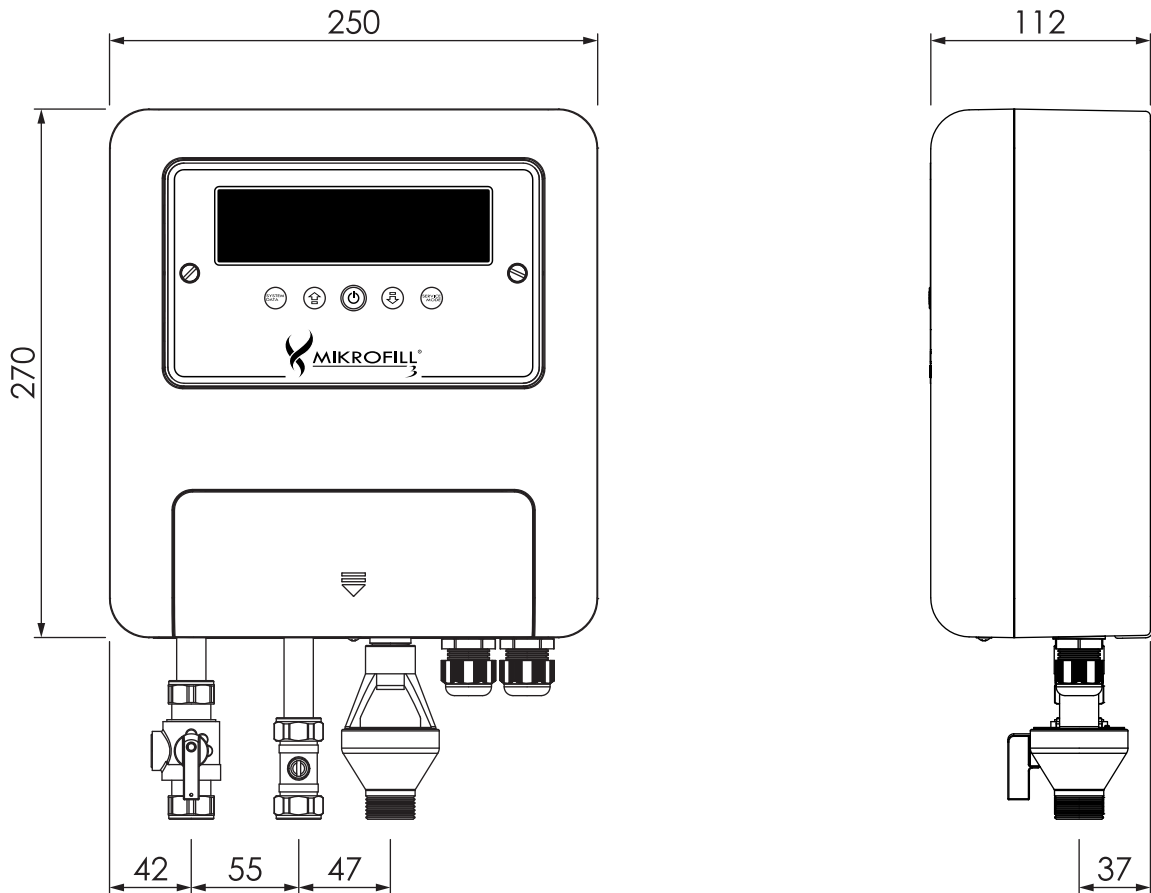
MIKROFILL 3 ELECTRICAL SCHEMATIC

Contact status shown when no faults present



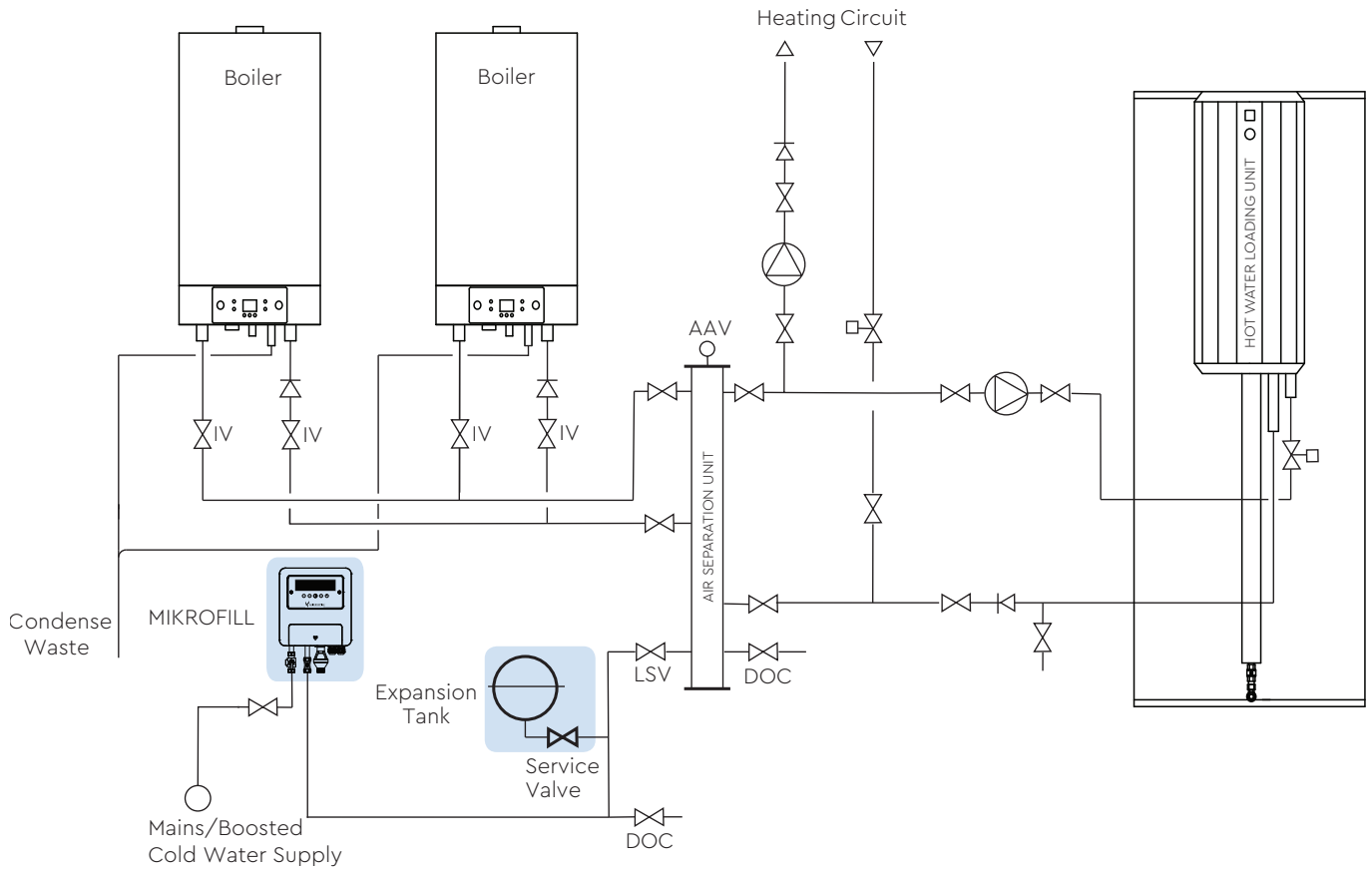
MIKROFILL 3 DIMENSIONS

All dimensions in mm



MIKROFILL 3 TYPICAL INSTALLATION

We recommend the MIKROFILL 3 unit is installed into a 'neutral point' on the system as indicated below



MIKROFILL 3 ADVANTAGES OVER RPZ VALVE

	TRADITIONAL RPZ	MIKROFILL 3
ANNUAL INSPECTION	c£140	NO ANNUAL INSPECTION REQUIRED
SYSTEM VOLUME INDICATOR	NOT INCLUDED	✓
PRESSURE MANAGEMENT	NOT INCLUDED	COMPREHENSIVE ELECTRONIC PRESSURE MANAGEMENT
HIGH/LOW LEVEL PRESSURE FAULT INDICATION	NOT INCLUDED	✓
LEAK DETECTION	NOT INCLUDED	✓
SYSTEM FAULT DIAGNOSTICS	NOT INCLUDED	✓
BUILDING MANAGEMENT SYSTEM (BMS) CAPABILITY	NOT INCLUDED	INTELLIGENT BMS CAPABILITY

Our brands Powering water for all applications

Mikrofill are innovative UK designers and manufacturers of commercial condensing boilers, hot water loading systems, dosing pots and pressurisation equipment.

BOILERS

ETHOS Boilers

Designed and manufactured in the UK the ETHOS stainless steel wall mounted and floor standing boiler ranges offer individual outputs from 70 – 550kW.



BOOSTER SETS

AQUABOOST Booster Sets

A comprehensive range of cold water booster sets, integrated booster systems and bespoke solutions



HOT WATER GENERATION

EXTREME Loading Systems

Hot water generator combining the advantages of both an instantaneous hot water heater and a storage system.



PRESSURISATION

MIKROFILL 3, MAXI & MAXI PLUS Pressurisation

A complete range of sealed system pressurisation units representing the ultimate in design, technology, quality and system control.



DOSING POTS

Dosing Pots

A range of wall mounted chemical dosing pots for the dosing of corrosion inhibitors or anti-freeze into closed heating or chilled water systems.



LOW LOSS HEADERS

MIKROVENT Low Loss Headers

A range of Low Loss Headers and Air and Dirt Separators suitable for connected loads of up to 1000 kW.



Mikrofill Systems Ltd
11 Merse Road
Redditch
Worcestershire
B98 9HL
United Kingdom

Telephone +44 (0) 3452 606020
E-mail info@mikrofill.com

www.mikrofill.com

VAT Reg No. 115 1660 47. Registered in England No. 3068428
Registered Office: Market Place, Henley-on-Thames
Mikrofill Systems Ltd reserves the right to alter or change
specification without notice.

Part No: 02102
Issue No: 2023-01-01

Follow us on Facebook, Twitter, Instagram and LinkedIn

