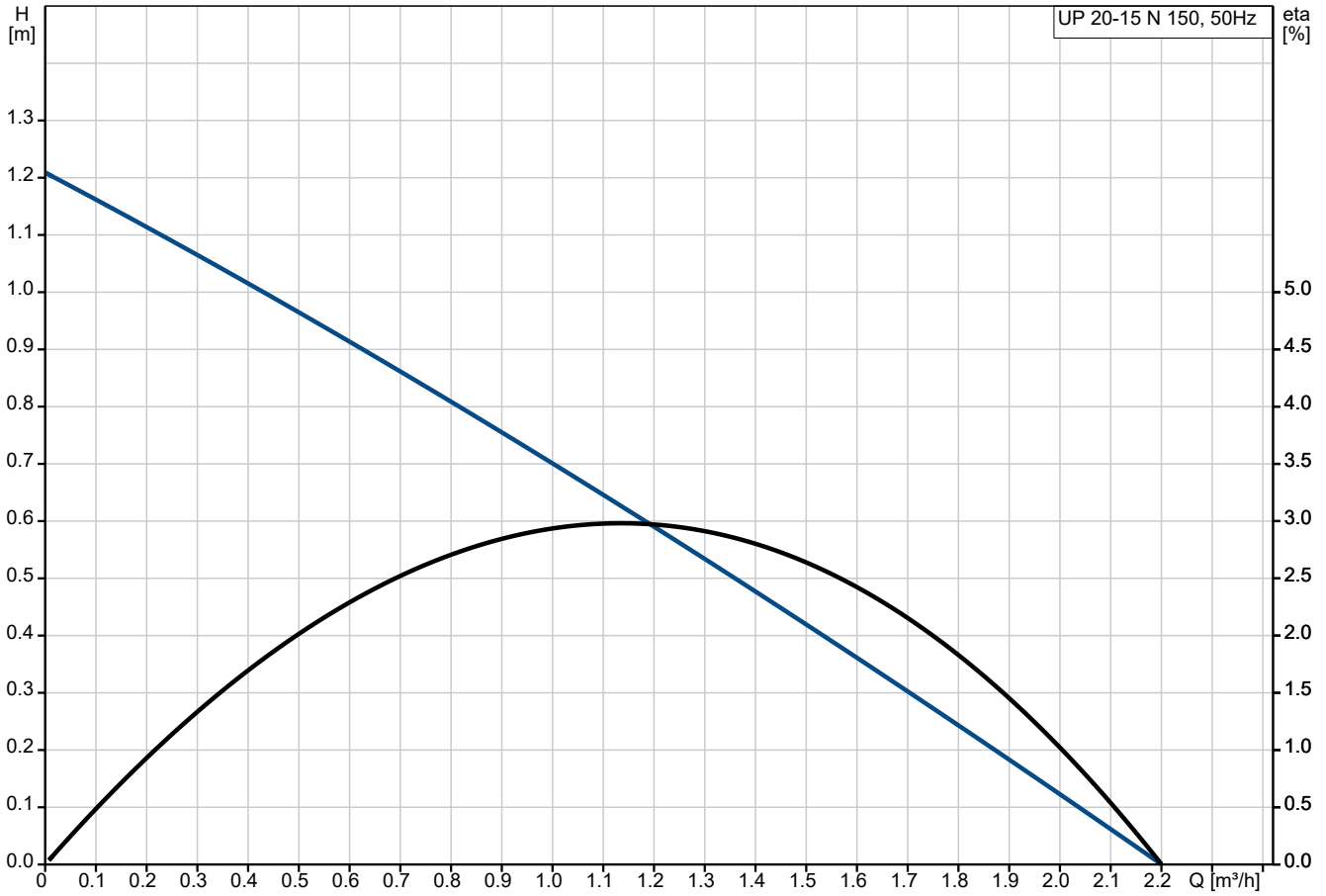
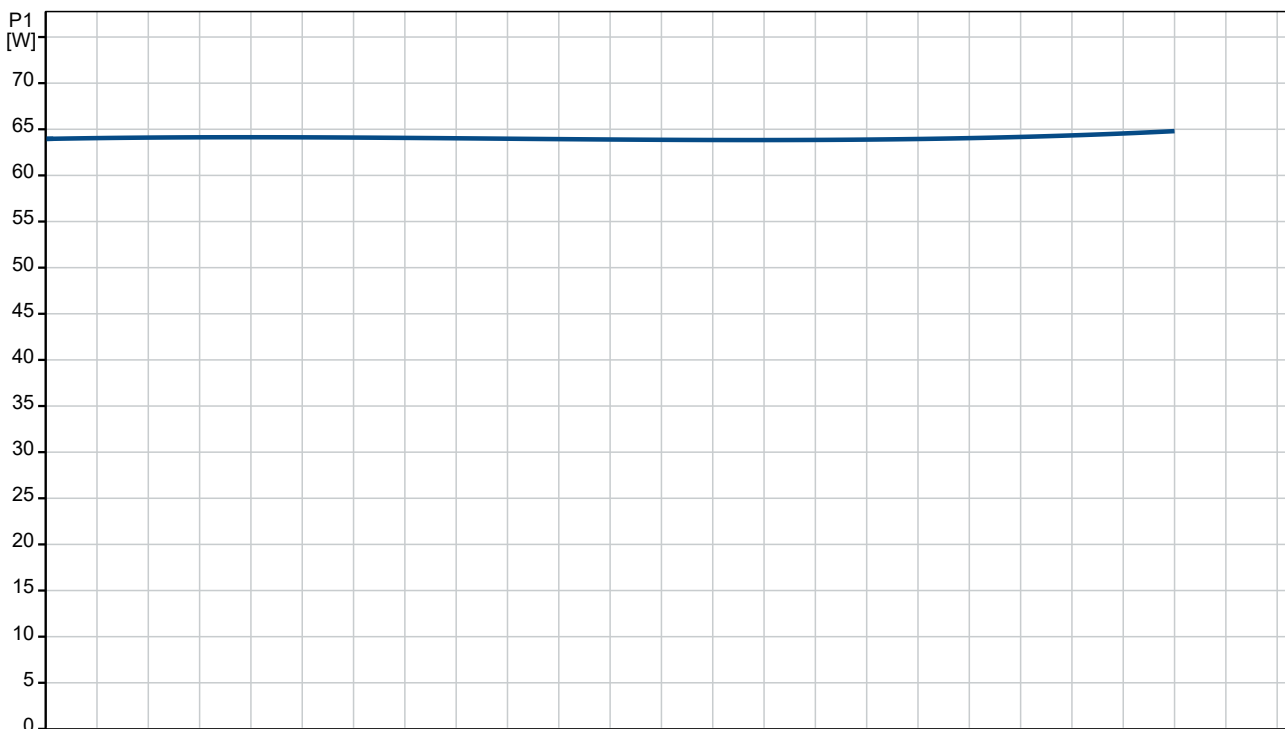


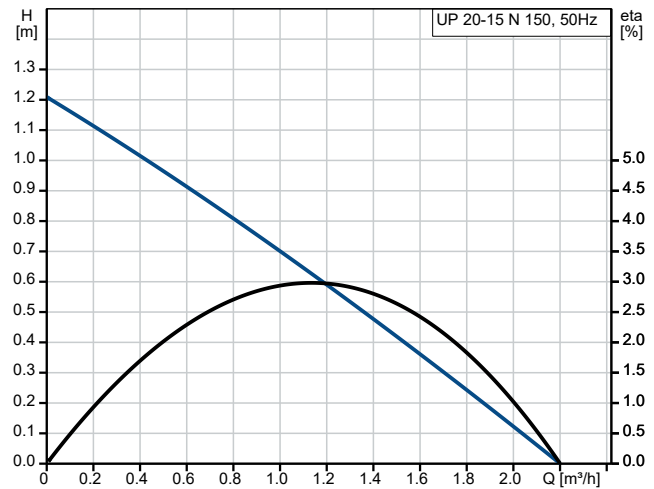
## On request UP 20-15 N 150 50 Hz



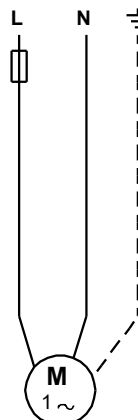
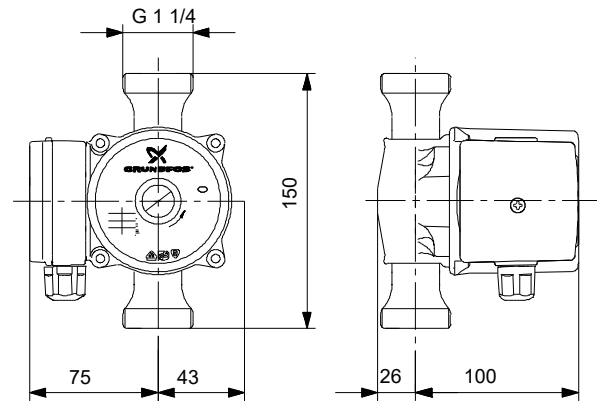
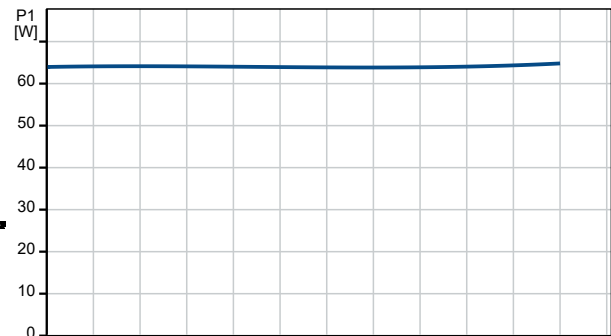
Pumped liquid = Water  
 Liquid temperature during operation = 60 °C  
 Density = 983.2 kg/m³



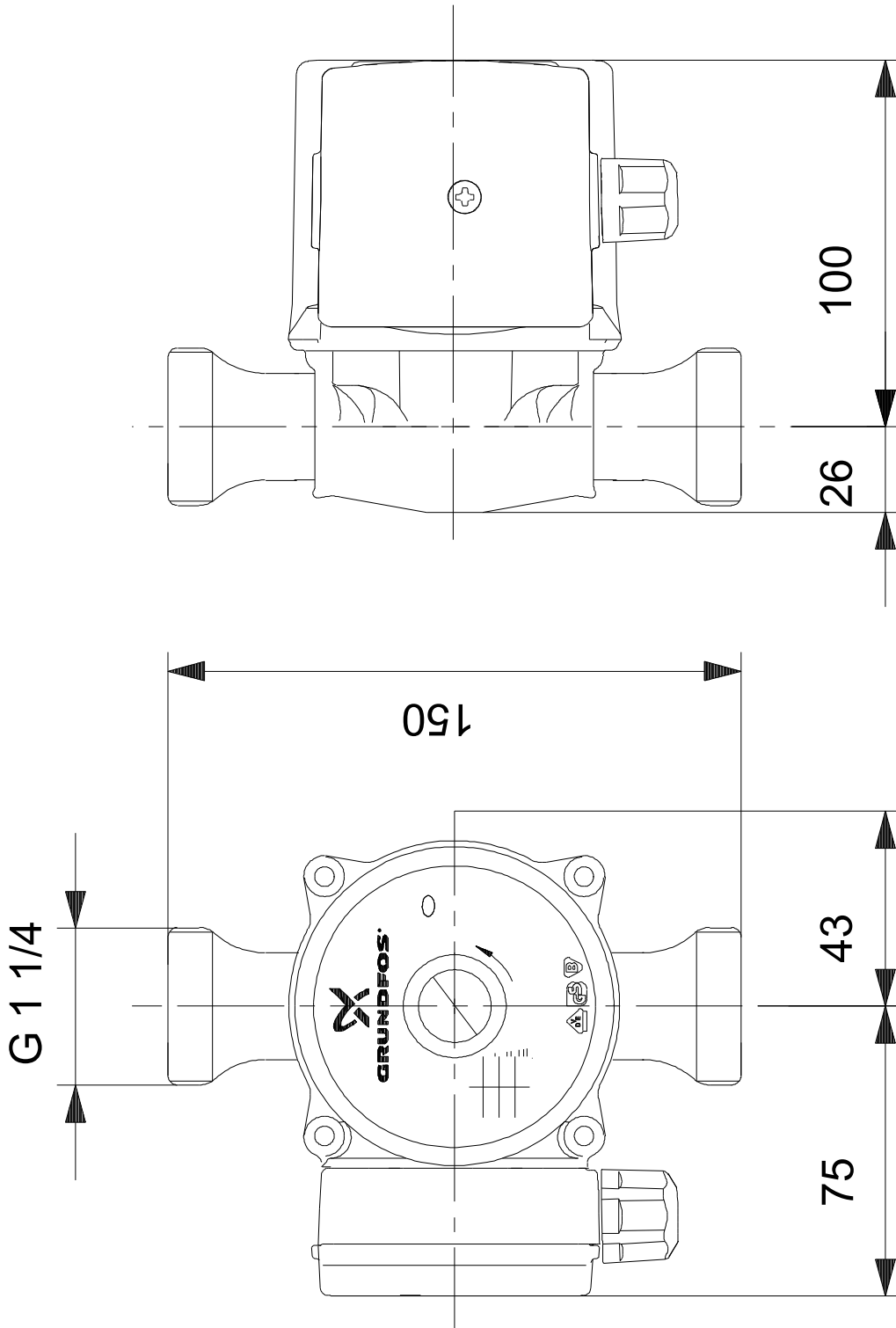
Description	Value
<b>General information:</b>	
Product name:	UP 20-15 N 150
Product No:	On request
EAN number:	On request
Price:	GBP 495
<b>Technical:</b>	
Speed no:	1
Rated flow:	1.1 m <sup>3</sup> /h
Rated head:	0.646 m
Maximum head:	15 dm
TF class:	95
Approvals:	CE, WEEE, UKCA
<b>Materials:</b>	
Pump housing:	Stainless steel
Pump housing:	EN 1.4301
Pump housing:	AISI 304
Impeller:	Composite
Impeller:	PES+30% GF
<b>Installation:</b>	
Range of ambient temperature:	0 .. 80 °C
Amb. max at 80 dgr C liquid:	80 °C
Maximum operating pressure:	10 bar
Type of connection:	G
Size of connection:	1 1/4 inch
Pressure rating for connection:	PN 10
Port-to-port length:	150 mm
<b>Liquid:</b>	
Pumped liquid:	Water
Liquid temperature range:	2 .. 110 °C
Selected liquid temperature:	60 °C
Density:	983.2 kg/m <sup>3</sup>
<b>Electrical data:</b>	
Max. power input:	65 W
Mains frequency:	50 Hz
Rated voltage:	1 x 230 V
Current in speed 3:	0.28 A
Capacitor size - run:	2 µF
Enclosure class (IEC 34-5):	IP44
Insulation class (IEC 85):	F
Built-in motor protection:	NONE
Thermal protec:	Impedance protected
<b>Others:</b>	
Terminal box position:	9H
Net weight:	2 kg
Gross weight:	2.17 kg
Shipping volume:	0.004 m <sup>3</sup>
Country code:	GB
Country of origin:	RS
Custom tariff no.:	85030099



Pumped liquid = Water  
 Liquid temperature during operation = 60 °C  
 Density = 983.2 kg/m<sup>3</sup>

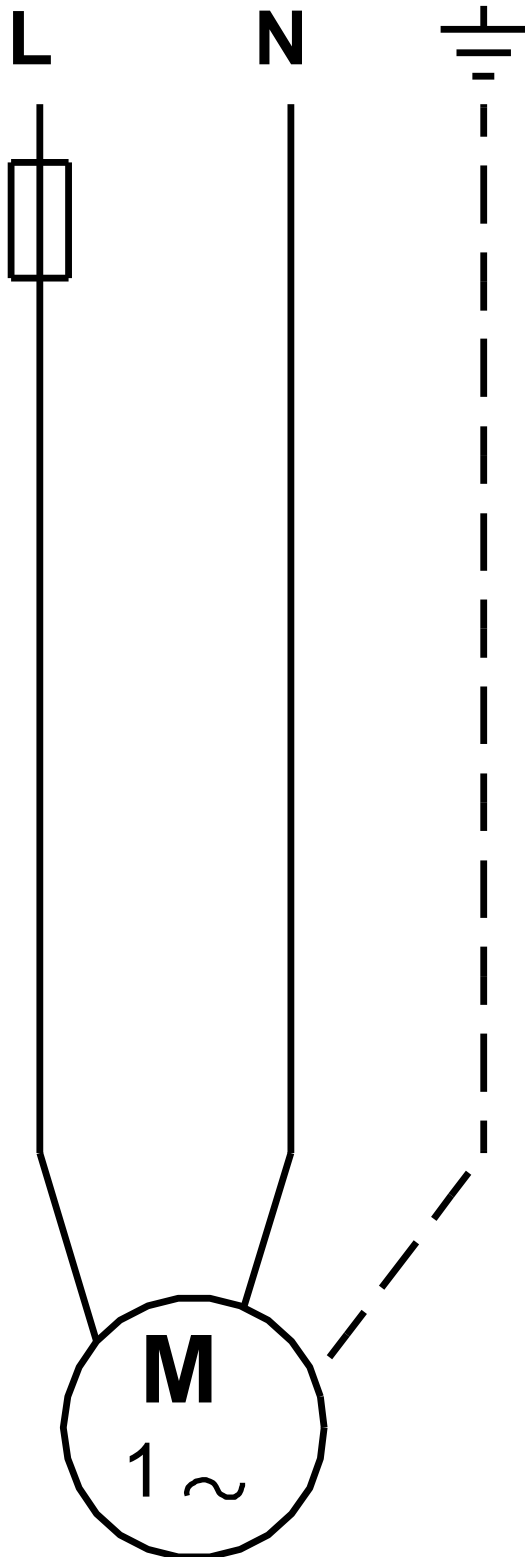


## On request UP 20-15 N 150 50 Hz



Note! All units are in [mm] unless others are stated.  
Disclaimer: This simplified dimensional drawing does not show all details.

On request UP 20-15 N 150 50 Hz



Note! All units are in [mm] unless others are stated.

