

PROJECT: _____	UNIT TAG: _____	QUANTITY: _____
REPRESENTATIVE: _____	TYPE OF SERVICE: _____	DATE: _____
ENGINEER: _____	SUBMITTED BY: _____	DATE: _____
CONTRACTOR: _____	APPROVED BY: _____	DATE: _____
	ORDER NO.: _____	DATE: _____

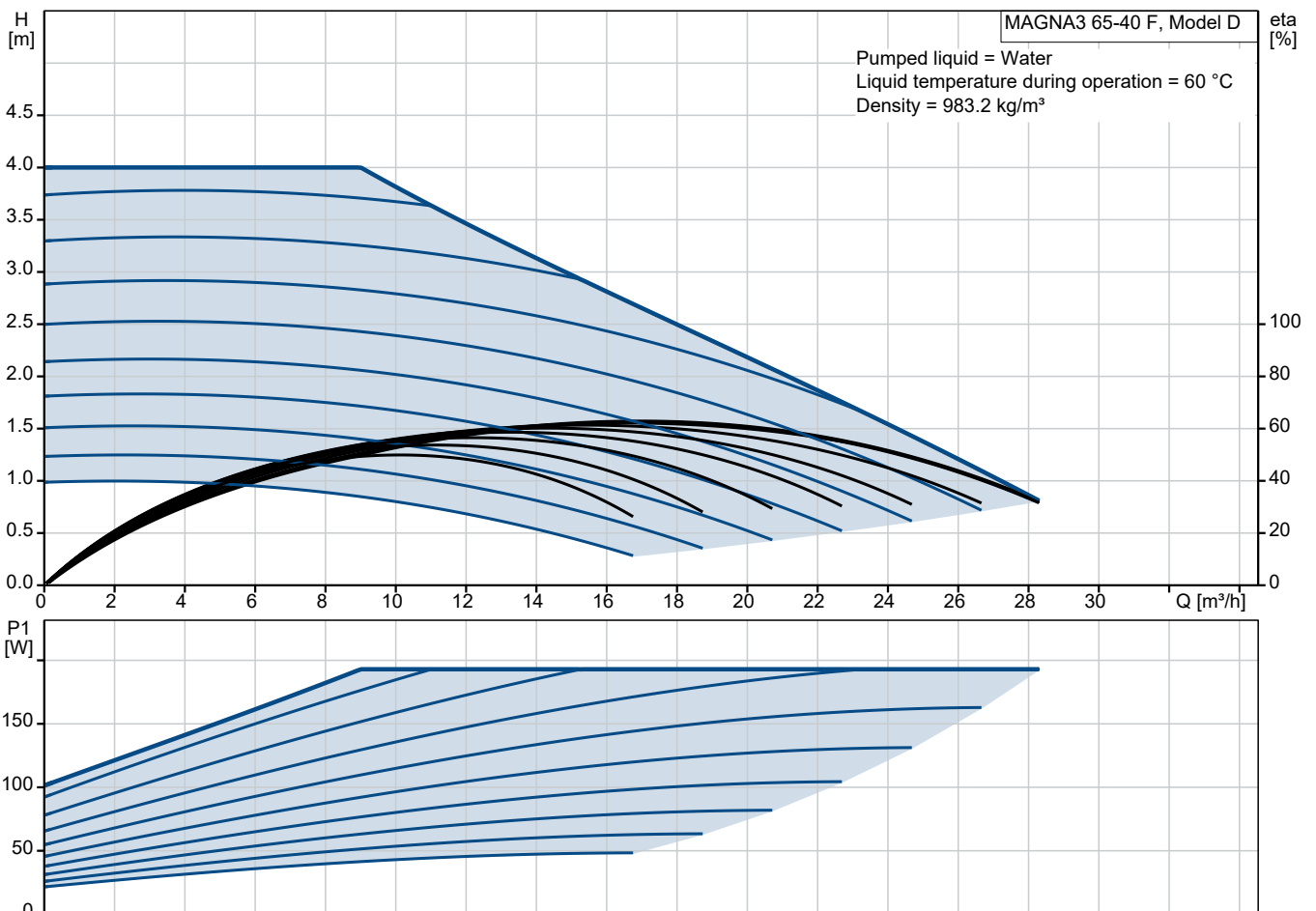


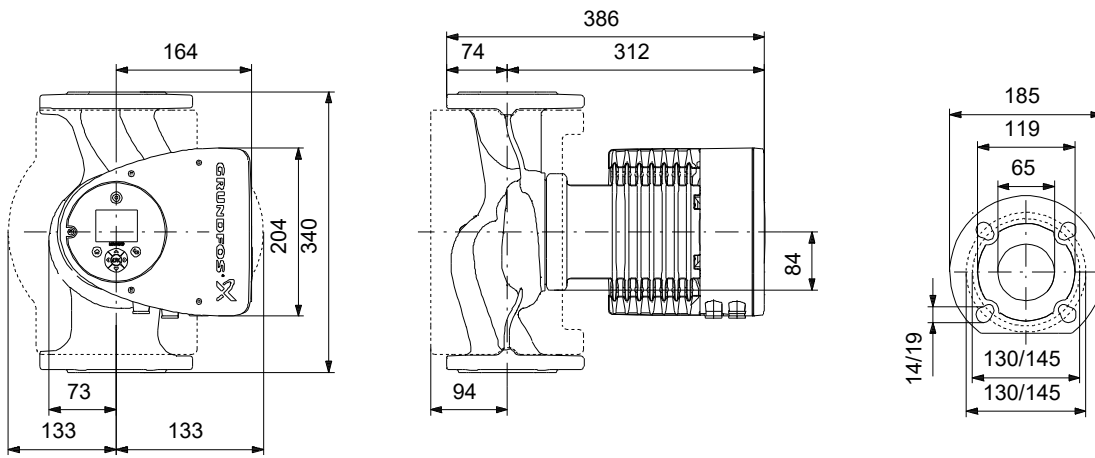
### MAGNA3 65-40 F

The Grundfos MAGNA3 circulator pump is the premium choice when system control and monitoring is key. MAGNA3 supports fieldbus by optional CIM modules and has a TFT display for intuitive configuration of the intelligent features. The MAGNA3 is sure to match your application, whether for heating or cooling.

Note! Product picture may differ from actual product

Conditions of Service		Pump Data	Motor Data
Liquid:	Water	Maximum operating pressure:	10 bar
Temperature:	60 °C	Liquid temperature range:	-10 .. 110 °C
Specific Gravity:	0.985	Maximum ambient temperature:	40 °C
		Flange standard:	DIN
		Pipe connection:	DN 65
		Product number:	On request
			P1 max: 21 .. 193 W
			Mains frequency: 50 / 60 Hz
			Enclosure class: X4D
			Insulation class: F





**Materials:**

Pump housing: Cast iron  
 Pump housing: EN-GJL-250  
 Pump housing: ASTM A48-250B  
 Impeller: PES 30%GF

Qty. Description

1 MAGNA3 65-40 F



Note! Product picture may differ from actual product

Product No.: On request

The Grundfos MAGNA3 circulator pump is the ideal choice for almost any building project – old or new. With its unrivalled energy efficiency, all-encompassing range and built-in communication capabilities, MAGNA3 is ideal for engineers and specifiers looking to create high-performance heating and cooling systems.

The pump is maintenance-free due to the canned-rotor type design. This also means that pump and motor form an integral unit without shaft seal and with only two gaskets for sealing. The bearings are lubricated by the pumped liquid.

MAGNA3 features an intuitive display and allows you to connect wirelessly with the Grundfos GO Remote app, giving you access to advanced reporting and monitoring.

MAGNA3 model E has Bluetooth, which allows you to connect directly to Grundfos Go app on your smart phone without any need for a dongle.

The pump includes fieldbus communication via CIM modules as well as analog and digital inputs and configurable relays.

Control features include AUTOADAPT and FLOWADAPT. FLOWADAPT which reduces the need for throttling valves, thus cutting costs on system components.

MAGNA3 is the superior choice for a wide range of heating and cooling applications, including:

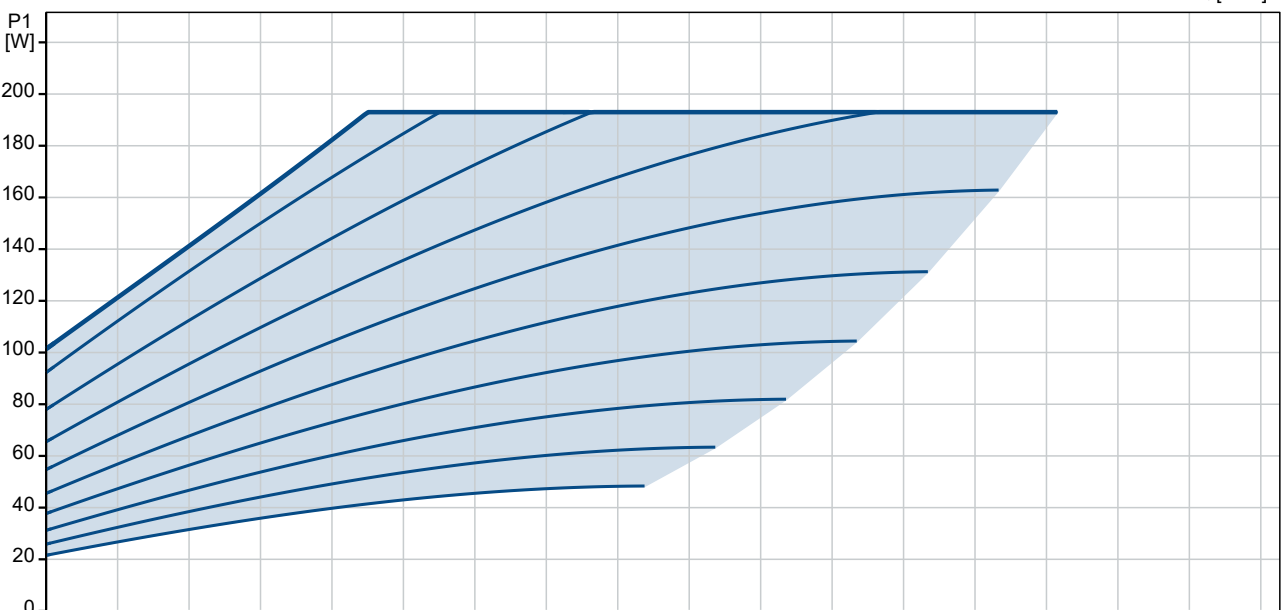
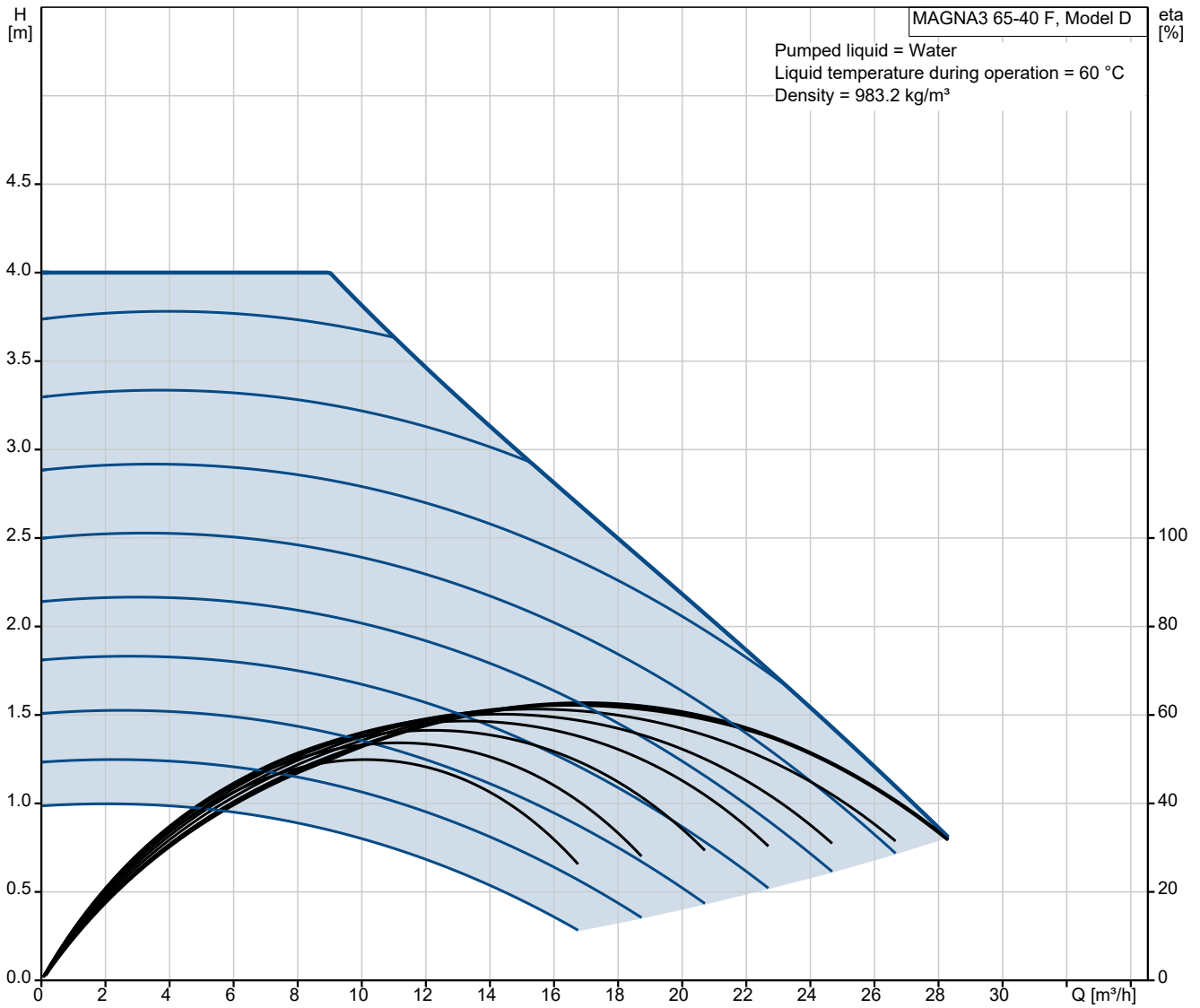
- Mixing loops
- Heating surfaces
- Air conditioning surfaces
- Ground-source heat pump systems
- Smaller chiller applications.

MAGNA3 is a single-phase pump and characterised by having the controller and control display integrated in the control box. The pump also has a built-in differential-pressure and temperature sensor.

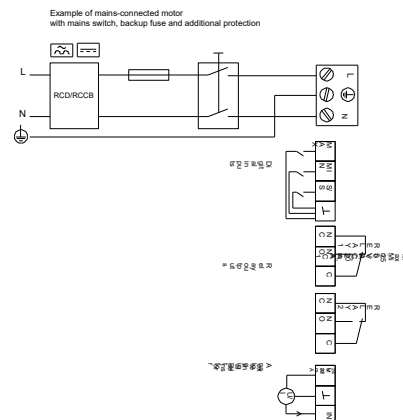
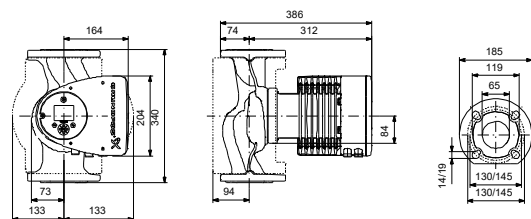
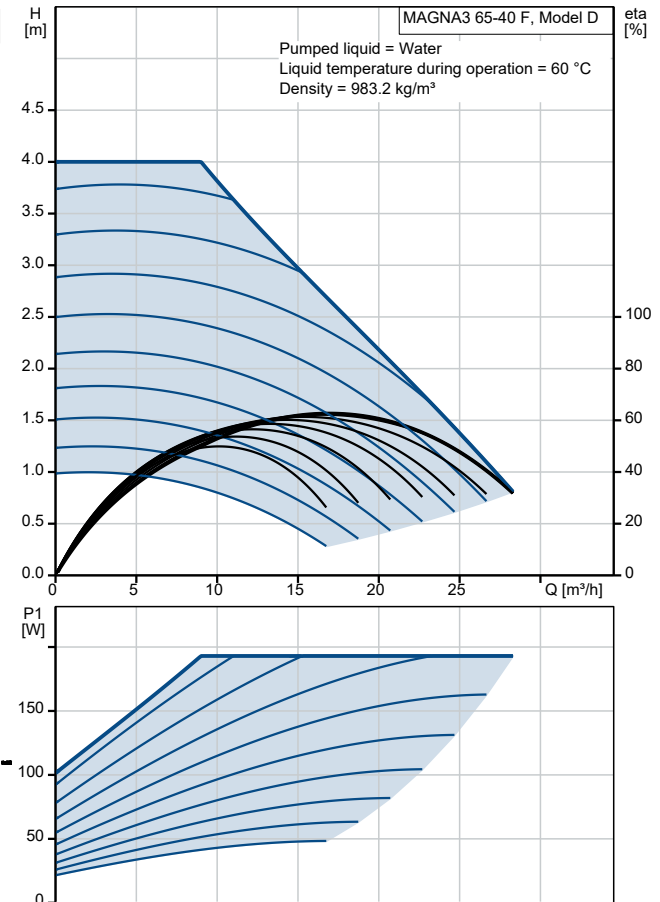
The pump housing is available in both cast-iron and stainless-steel versions. The composite rotor can is carbon-fibre reinforced, the bearing plate and rotor cladding are made of stainless steel and the stator housing is made of aluminium. The power electronics are air-cooled.

MAGNA3 incorporates a 4-pole synchronous, permanent-magnet motor (PM motor). This motor type is characterised by higher efficiency than a conventional asynchronous squirrel-cage motor. The pump speed is controlled by an integrated frequency converter.

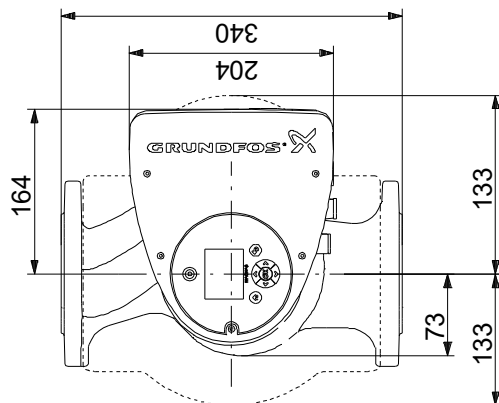
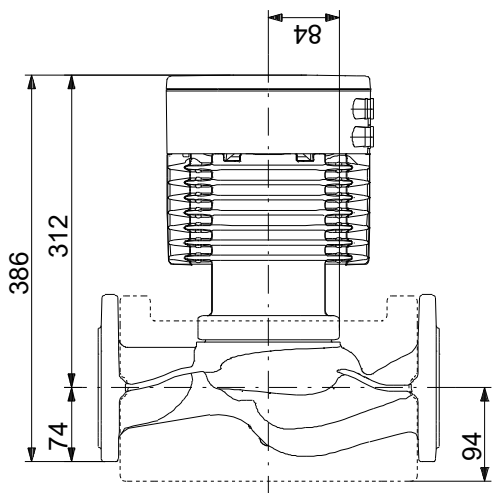
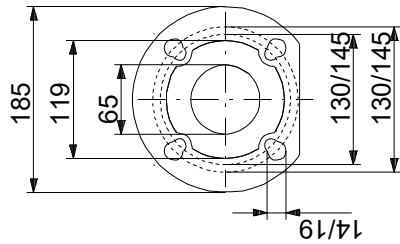
## On request MAGNA3 65-40 F



Description	Value
<b>General information:</b>	
Product name:	MAGNA3 65-40 F
Product No:	On request
EAN number:	On request
<b>Technical:</b>	
Rated flow:	17.09 m³/h
Rated head:	2.64 m
Head max:	40 dm
TF class:	110
Approvals:	CE, VDE, EAC, MOROCCO, UKCA, TSERCM, UkrSEPRO
Model:	D
<b>Materials:</b>	
Pump housing:	Cast iron
Pump housing:	EN-GJL-250
Pump housing:	ASTM A48-250B
Impeller:	PES 30%GF
<b>Installation:</b>	
Range of ambient temperature:	0 .. 40 °C
Maximum operating pressure:	10 bar
Flange standard:	DIN
Pipe connection:	DN 65
Pressure rating:	PN 6/10
Port-to-port length:	340 mm
<b>Liquid:</b>	
Pumped liquid:	Water
Liquid temperature range:	-10 .. 110 °C
Selected liquid temperature:	60 °C
Density:	983.2 kg/m³
<b>Electrical data:</b>	
Power input - P1:	21 .. 193 W
Mains frequency:	50 / 60 Hz
Rated voltage [V]:	1 x 230 V
Maximum current consumption:	0.22 .. 0.94 A
Enclosure class (IEC 34-5):	X4D
Insulation class (IEC 85):	F
<b>Others:</b>	
Energy (EEL):	0.18
Environmental approvals:	CN ROHS, WEEE
Net weight:	20.5 kg
Gross weight:	22.8 kg
Shipping volume:	0.057 m³
Danish VVS No.:	380954604
Swedish RSK No.:	5732499
Finnish LVI No.:	4615158
Norwegian NRF no.:	9042686
Country of origin:	DE
Custom tariff no.:	84137030



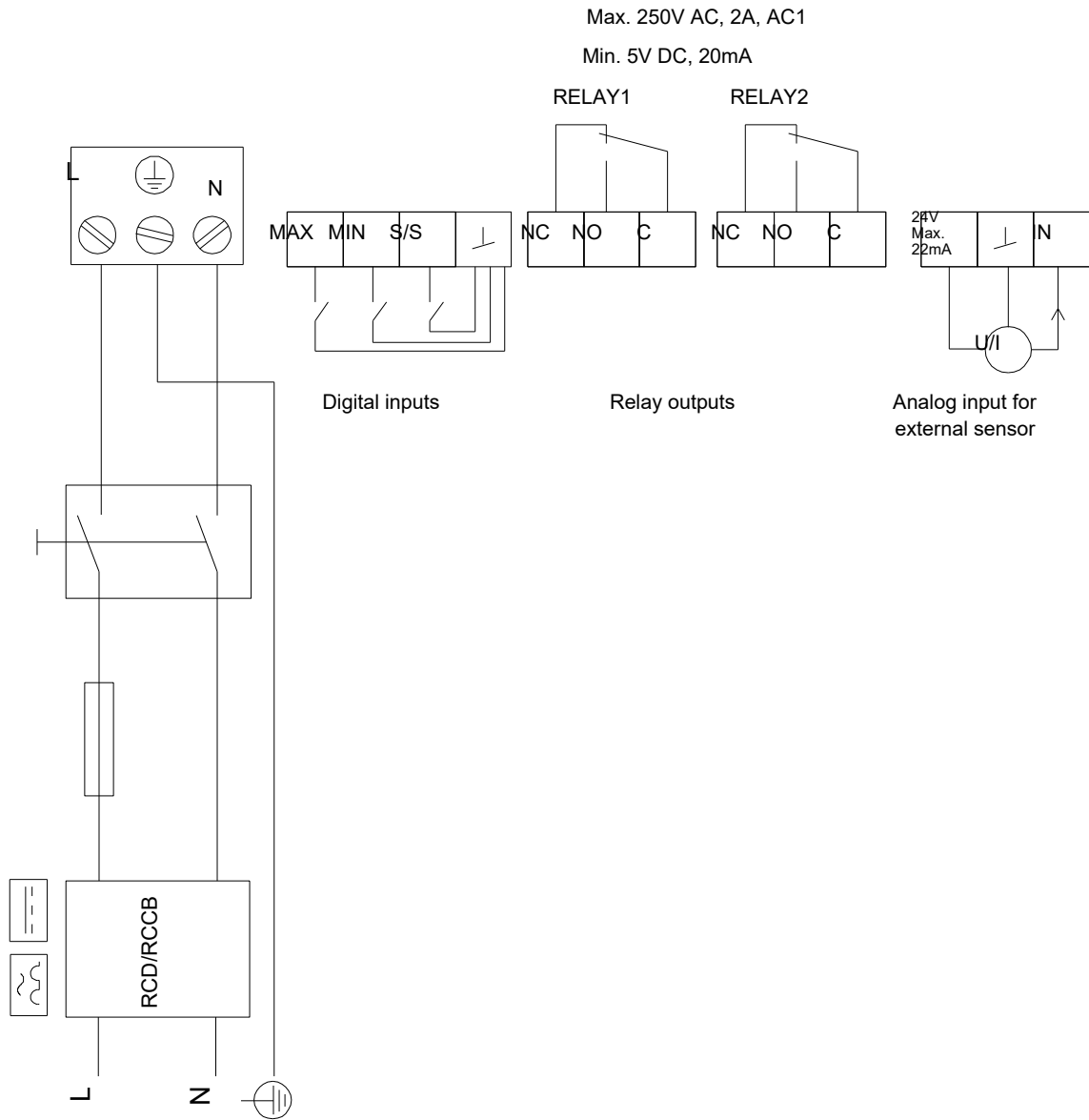
## On request MAGNA3 65-40 F



Note! All units are in [mm] unless others are stated.  
Disclaimer: This simplified dimensional drawing does not show all details.

## On request MAGNA3 65-40 F

Example of mains-connected motor with mains switch, backup fuse and additional protection

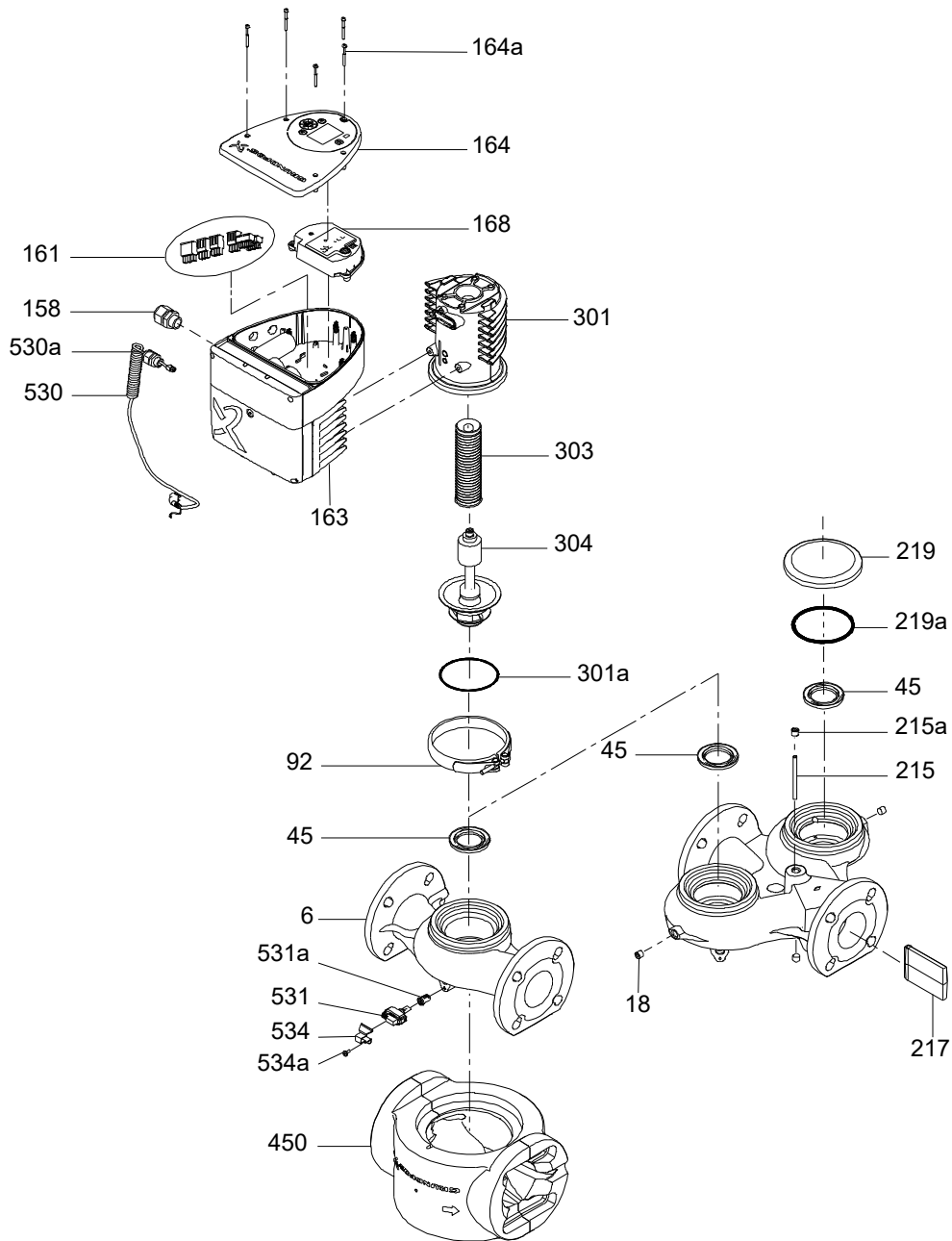


Note! All units are in [mm] unless others are stated.





( TM057299 MAGNA3 750-1600W)



**Spare parts MAGNA3 65-40 F, Product No. On request  
Produced After 1732 (production year and week number)**

Pos	Description	Annotation	Classification Data	Part no.	Qty.	Unit
-	Kit, Connector plugs			98357861	1	pcs
- 161	Plug cpl.				1	
159b	Connector plug 4-pole					
159b	Connector plug 3-pole					
159b	Connector plug 3-pole					
-	Kit, Cont. box cover front end			99341976	1	pcs
164a	Screw DELTA PT				5	
164	Cover				1	
-	Kit, Control box configured			99332386	1	pcs
-	Kit, control box non-configured			98859585	1	
-	Control box cpl.					
-	Control box					
-	Box					
530	Cable					
164	Cover					
- 501	Displayboard cpl.					
-	Displayboard cpl.					
168	Displayboard, SMD					
163	Control box					
- 531	Sensor					
531a	Sealing cap					
	GSC				1	
-	Kit, Displayboard			99338995	1	pcs
163b	Compression spring				4	
164a	Screw DELTA PT				5	
164	Cover				1	
- 501	Displayboard cpl.				1	
-	Displayboard cpl.					
168	Displayboard, SMD					
-	Kit, Pump head			98148749	1	pcs
92	Clamp cpl.				1	
- 301	Pump head				1	
-	Stator w/housing cpl.					
301	Stator housing					
303	Rotor can cpl.					
- 304	Shaft w/impeller cpl.					
-	Bearing plate cpl.					
301a	O-ring					
-	Kit, Sensor			99313067	1	pcs
530	Cable				1	
- 531	Sensor				1	
531a	Sealing cap					
534a	Pan head thread forming screw				1	
534	Bracket				1	
-	Kit, Sensor			99313072	1	pcs
530	Cable				10	
- 531	Sensor				10	
531a	Sealing cap					
-	Spare, Clamp			98148759	1	pcs
92	Clamp cpl.				1	
-	Spare, O-ring			98148761	1	pcs
301a	O-ring				1	
-	Spare, Sealing cap			98613455	1	pcs



Company name:

Created by:

Phone:

Date:

27/09/2022

Pos	Description	Annotation	Classification Data	Part no.	Qty.	Unit
531a	Sealing cap				1	
301a	O-ring			92780122	1	pcs
301a	O-ring			98660099	1	pcs
450	Insulation			98159361	1	pcs
531a	Sealing cap			98708139	1	pcs