

Qty. Description

1 TP 50-190/2 A-F-A-BQQE-HW1


Note! Product picture may differ from actual product

Product No.: [96086996](#)

Single-stage, close-coupled, volute pump with in-line suction and discharge ports of identical diameter. The pump is of the top-pull-out design, i.e. the power head (motor, pump head and impeller) can be removed for maintenance or service while the pump housing remains in the pipework.

The pump is fitted with an unbalanced rubber bellows seal. The shaft seal is according to EN 12756. Pipework connection is via PN 16 DIN flanges (EN 1092-2 and ISO 7005-2).

The pump is fitted with a fan-cooled asynchronous motor.

Controls:

Frequency converter: None

Liquid:

Pumped liquid: Water

Liquid temperature range: -25 .. 120 °C

Selected liquid temperature: 20 °C

Density: 998.2 kg/m³
Technical:

Pump speed on which pump data are based: 2900 rpm

Rated flow: 22.2 m³/h

Rated head: 15.5 m

Actual impeller diameter: 120 mm

Code for shaft seal: BQQE

Curve tolerance: ISO9906:2012 3B2

Materials:

Pump housing: Cast iron
EN-GJL-250
ASTM class 35

Impeller: Cast iron
EN-GJL-200
ASTM class 30

Installation:

Range of ambient temperature: -30 .. 60 °C

Maximum operating pressure: 16 bar

Max pressure at stated temp: 16 bar / 120 °C

Type of connection: DIN

Size of connection: DN 50

Pressure rating for connection: PN 16

Port-to-port length: 340 mm

Flange size for motor: FF165

Electrical data:

Motor type: 90SD



Company name:

Created by:

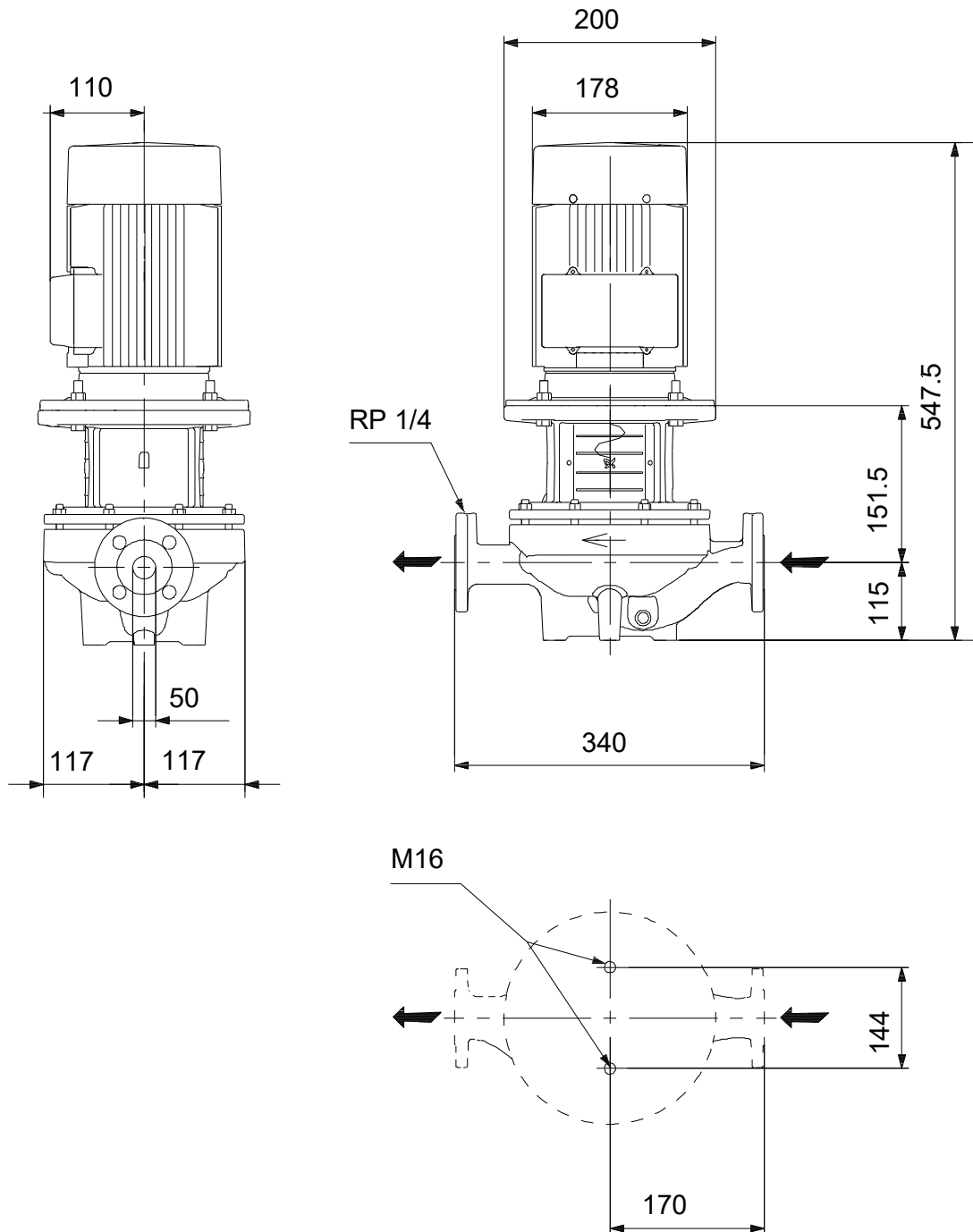
Phone:

Date:

02/01/2024

Qty.	Description
1	<p>Rated power - P2: 1.5 kW Mains frequency: 50 Hz Rated voltage: 3 x 220-240D/380-415Y V Rated current: 5.70/3.30 A Starting current: 750-820 % Rated speed: 2890-2910 rpm IE Efficiency class: IE3 Motor efficiency at full load: 84.2-84.2 % Motor efficiency at 3/4 load: 86.4-84.9 % Motor efficiency at 1/2 load: 86.0-83.0 % Number of poles: 2 Enclosure class (IEC 34-5): 55 Dust/Jetting Insulation class (IEC 85): F Motor No: 99583820</p> <p>Others: Minimum efficiency index, MEI \geq: 0.70 Net weight: 49.3 kg Gross weight: 61 kg Shipping volume: 0.217 m³ Danish VVS No.: 381703190 Finnish LVI No.: 4616054 Norwegian NRF no.: 9043553 Country of origin: HU Custom tariff no.: 84137051</p>

96086996 TP 50-190/2 A-F-A-BQQE-HW1 50 Hz



Note! All units are in [mm] unless others are stated.
Disclaimer: This simplified dimensional drawing does not show all details.