

**Qty. Description**

1 TP 50-90/4 A-F-A-BQQE-EW3



**Note! Product picture may differ from actual product**

Product No.: [96087117](#)

Single-stage, close-coupled, volute pump with in-line suction and discharge ports of identical diameter. The pump is of the top-pull-out design, i.e. the power head (motor, pump head and impeller) can be removed for maintenance or service while the pump housing remains in the pipework.

The pump is fitted with an unbalanced rubber bellows seal. The shaft seal is according to EN 12756. Pipework connection is via PN 16 DIN flanges (EN 1092-2 and ISO 7005-2).

The pump is fitted with a fan-cooled asynchronous motor.

**Controls:**

Frequency converter: None

**Liquid:**

Pumped liquid: Water  
 Liquid temperature range: -25 .. 120 °C  
 Selected liquid temperature: 20 °C  
 Density: 998.2 kg/m<sup>3</sup>

**Technical:**

Pump speed on which pump data are based: 1400 rpm  
 Rated flow: 15.8 m<sup>3</sup>/h  
 Rated head: 7.1 m  
 Actual impeller diameter: 163 mm  
 Code for shaft seal: BQQE  
 Curve tolerance: ISO9906:2012 3B2

**Materials:**

Pump housing: Cast iron  
 EN-GJL-250  
 ASTM class 35  
 Impeller: Cast iron  
 EN-GJL-200  
 ASTM class 30

**Installation:**

Range of ambient temperature: -20 .. 55 °C  
 Maximum operating pressure: 16 bar  
 Max pressure at stated temp: 16 bar / 120 °C  
 Type of connection: DIN  
 Size of connection: DN 50  
 Pressure rating for connection: PN 16  
 Port-to-port length: 340 mm  
 Flange size for motor: FF165

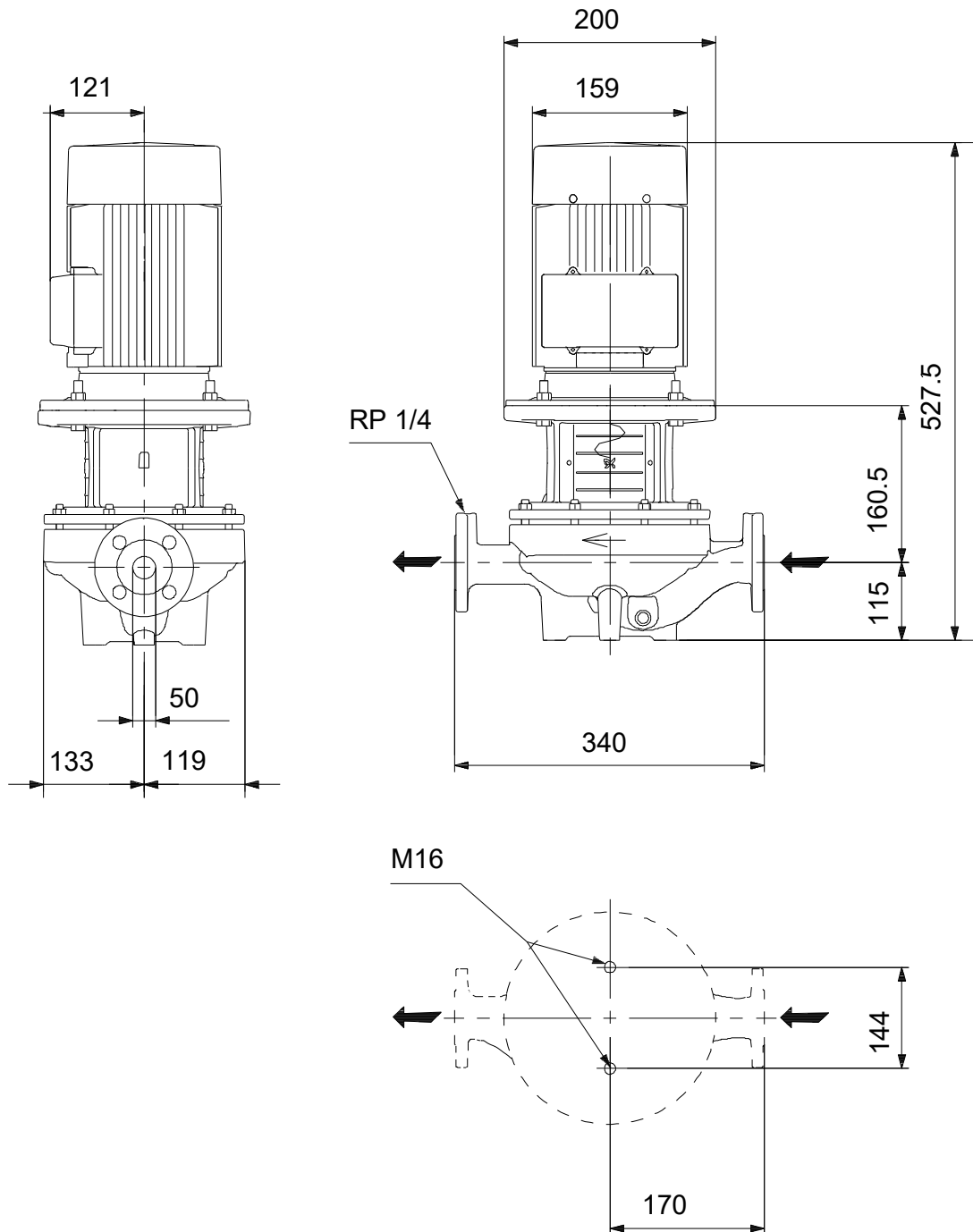
**Electrical data:**

Motor type: SIEMENS

Qty.	Description
------	-------------

1	Rated power - P2: 0.55 kW Mains frequency: 50 Hz Rated voltage: 3 x 220-240D/380-420Y V Rated current: 2.2/1.26 A Starting current: 590-590 % Cos phi - power factor: 0.78 Rated speed: 1440 rpm IE efficiency: IE3 80,8% IE Efficiency class: IE3 Motor efficiency at full load: 80.8-80.8 % Motor efficiency at 3/4 load: 81.1-81.1 % Motor efficiency at 1/2 load: 79.3-79.3 % Number of poles: 4 Enclosure class (IEC 34-5): IP55 Insulation class (IEC 85): F Motor No: 99900485  Others: Minimum efficiency index, MEI ≥: 0.50 Net weight: 44.3 kg Gross weight: 56 kg Shipping volume: 0.217 m <sup>3</sup> Danish VVS No.: 381713090 Finnish LVI No.: 4616048 Norwegian NRF no.: 9043556 Country of origin: HU Custom tariff no.: 84137051
---	--

**96087117 TP 50-90/4 A-F-A-BQQE-EW3 50 Hz**



Note! All units are in [mm] unless others are stated.  
Disclaimer: This simplified dimensional drawing does not show all details.