

Qty. Description

1 TP 50-120/2 A-F-A-BQQE-FW1


Note! Product picture may differ from actual product

Product No.: [98279255](#)

Single-stage, close-coupled, volute pump with in-line suction and discharge ports of identical diameter. The pump is of the top-pull-out design, i.e. the power head (motor, pump head and impeller) can be removed for maintenance or service while the pump housing remains in the pipework.

The pump is fitted with an unbalanced rubber bellows seal. The shaft seal is according to EN 12756. Pipework connection is via PN 6/10 DIN flanges (EN 1092-2 and ISO 7005-2).

The pump is fitted with a fan-cooled asynchronous motor.

Controls:

Frequency converter: None

Liquid:

Pumped liquid: Water

Liquid temperature range: -25 .. 120 °C

Selected liquid temperature: 20 °C

Density: 998.2 kg/m³
Technical:

Pump speed on which pump data are based: 2890 rpm

Rated flow: 17.3 m³/h

Rated head: 8.1 m

Actual impeller diameter: 87 mm

Code for shaft seal: BQQE

Curve tolerance: ISO9906:2012 3B2

Materials:

Pump housing: Cast iron
EN-GJL-250
ASTM class 35

Impeller: Stainless steel
EN 1.4301
AISI 304

Installation:

Range of ambient temperature: -30 .. 60 °C

Maximum operating pressure: 10 bar

Max pressure at stated temp: 10 bar / 120 °C

Type of connection: DIN

Size of connection: DN 50

Pressure rating for connection: PN 6/10

Port-to-port length: 280 mm

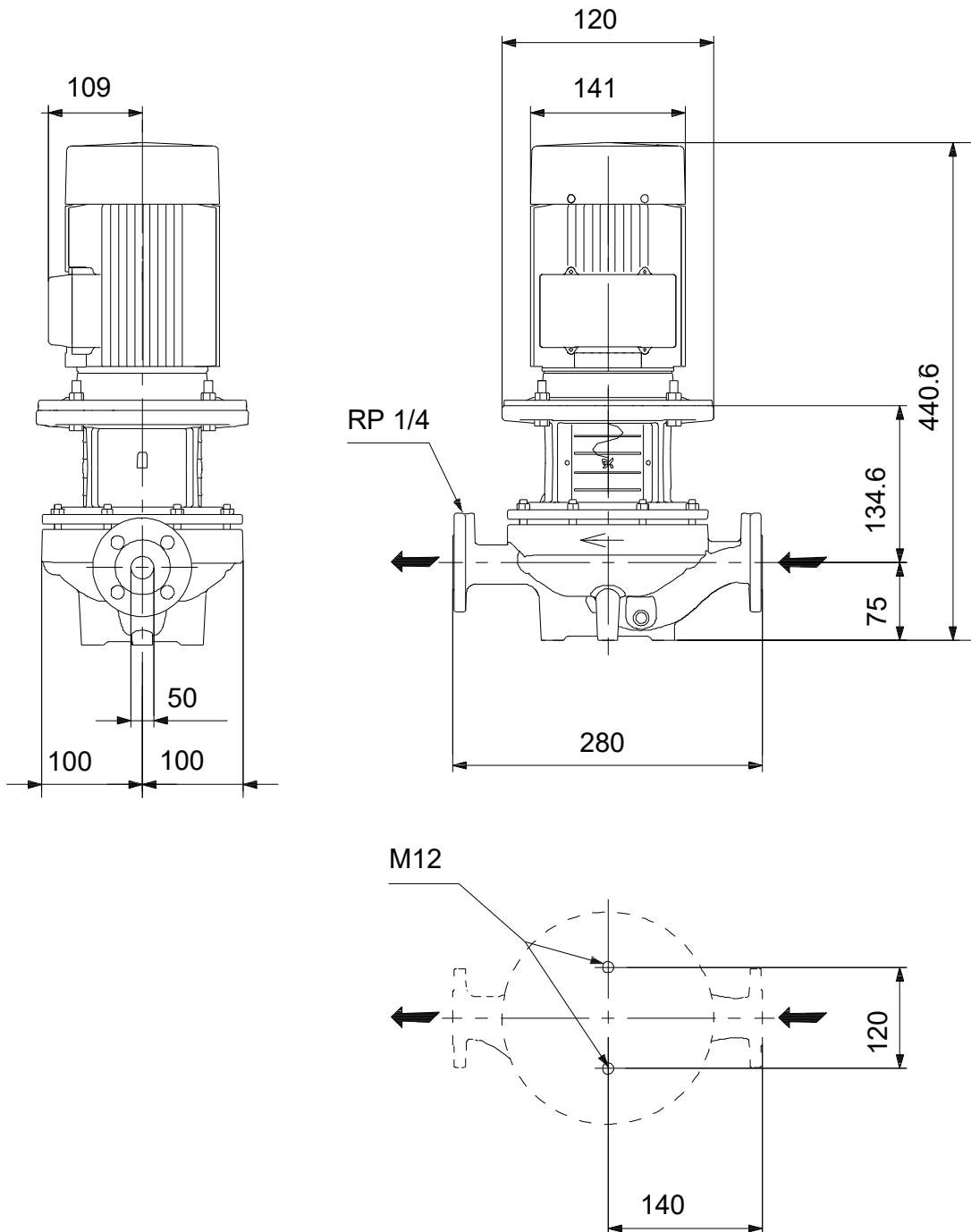
Flange size for motor: FT100

Electrical data:

Motor type: 80A

Qty.	Description																																																		
1	<table> <tr> <td>Rated power - P2:</td> <td>0.75 kW</td> </tr> <tr> <td>Mains frequency:</td> <td>50 Hz</td> </tr> <tr> <td>Rated voltage:</td> <td>3 x 220-240D/380-415Y V</td> </tr> <tr> <td>Rated current:</td> <td>3.30/1.90 A</td> </tr> <tr> <td>Starting current:</td> <td>580-620 %</td> </tr> <tr> <td>Cos phi - power factor:</td> <td>0.81-0.71</td> </tr> <tr> <td>Rated speed:</td> <td>2840-2870 rpm</td> </tr> <tr> <td>IE Efficiency class:</td> <td>IE3</td> </tr> <tr> <td>Motor efficiency at full load:</td> <td>80.7-80.7 %</td> </tr> <tr> <td>Motor efficiency at 3/4 load:</td> <td>82.7-80.9 %</td> </tr> <tr> <td>Motor efficiency at 1/2 load:</td> <td>81.7-77.9 %</td> </tr> <tr> <td>Number of poles:</td> <td>2</td> </tr> <tr> <td>Enclosure class (IEC 34-5):</td> <td>55 Dust/Jetting</td> </tr> <tr> <td>Insulation class (IEC 85):</td> <td>F</td> </tr> <tr> <td>Motor No:</td> <td>85U05104</td> </tr> <tr> <td colspan="2">Others:</td> </tr> <tr> <td>Minimum efficiency index, MEI \geq:</td> <td>0.45</td> </tr> <tr> <td>Net weight:</td> <td>28 kg</td> </tr> <tr> <td>Gross weight:</td> <td>31.5 kg</td> </tr> <tr> <td>Shipping volume:</td> <td>0.08 m³</td> </tr> <tr> <td>Danish VVS No.:</td> <td>38 1813.120</td> </tr> <tr> <td>Finnish LVI No.:</td> <td>4616049</td> </tr> <tr> <td>Norwegian NRF no.:</td> <td>9043559</td> </tr> <tr> <td>Country of origin:</td> <td>HU</td> </tr> <tr> <td>Custom tariff no.:</td> <td>84137051</td> </tr> </table>	Rated power - P2:	0.75 kW	Mains frequency:	50 Hz	Rated voltage:	3 x 220-240D/380-415Y V	Rated current:	3.30/1.90 A	Starting current:	580-620 %	Cos phi - power factor:	0.81-0.71	Rated speed:	2840-2870 rpm	IE Efficiency class:	IE3	Motor efficiency at full load:	80.7-80.7 %	Motor efficiency at 3/4 load:	82.7-80.9 %	Motor efficiency at 1/2 load:	81.7-77.9 %	Number of poles:	2	Enclosure class (IEC 34-5):	55 Dust/Jetting	Insulation class (IEC 85):	F	Motor No:	85U05104	Others:		Minimum efficiency index, MEI \geq :	0.45	Net weight:	28 kg	Gross weight:	31.5 kg	Shipping volume:	0.08 m ³	Danish VVS No.:	38 1813.120	Finnish LVI No.:	4616049	Norwegian NRF no.:	9043559	Country of origin:	HU	Custom tariff no.:	84137051
Rated power - P2:	0.75 kW																																																		
Mains frequency:	50 Hz																																																		
Rated voltage:	3 x 220-240D/380-415Y V																																																		
Rated current:	3.30/1.90 A																																																		
Starting current:	580-620 %																																																		
Cos phi - power factor:	0.81-0.71																																																		
Rated speed:	2840-2870 rpm																																																		
IE Efficiency class:	IE3																																																		
Motor efficiency at full load:	80.7-80.7 %																																																		
Motor efficiency at 3/4 load:	82.7-80.9 %																																																		
Motor efficiency at 1/2 load:	81.7-77.9 %																																																		
Number of poles:	2																																																		
Enclosure class (IEC 34-5):	55 Dust/Jetting																																																		
Insulation class (IEC 85):	F																																																		
Motor No:	85U05104																																																		
Others:																																																			
Minimum efficiency index, MEI \geq :	0.45																																																		
Net weight:	28 kg																																																		
Gross weight:	31.5 kg																																																		
Shipping volume:	0.08 m ³																																																		
Danish VVS No.:	38 1813.120																																																		
Finnish LVI No.:	4616049																																																		
Norwegian NRF no.:	9043559																																																		
Country of origin:	HU																																																		
Custom tariff no.:	84137051																																																		

98279255 TP 50-120/2 A-F-A-BQQE-FW1 50 Hz



Note! All units are in [mm] unless others are stated.
Disclaimer: This simplified dimensional drawing does not show all details.