

Receiver

From

Society
Reference
Address
Phone
Fax
E-mail

Item n° : 60150954
Customer pos. no.: 60150954
Model : EVOPLUS D 40/220.32 M

Pump data

Pressure rating : 1,6 MPa
Min. fluid temperature : -10 °C
Max. fluid temperature : 110 °C
EEI : ≤ 0,22

Minimum suction head :

Temperature : °C 90 - 100
Minimum suction head : m 20 - 25

Requested data

Flow :
Head :
Fluid (%) :
Fluid Temperature : 20 °C
Density : 998,3 kg/m³
Kinematic viscosity : 1,005 mm²/s
Vapor pressure : 0,00 MPa

Hydraulic data (duty point)

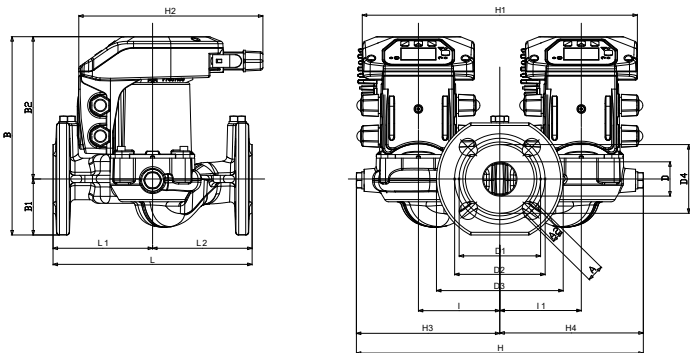
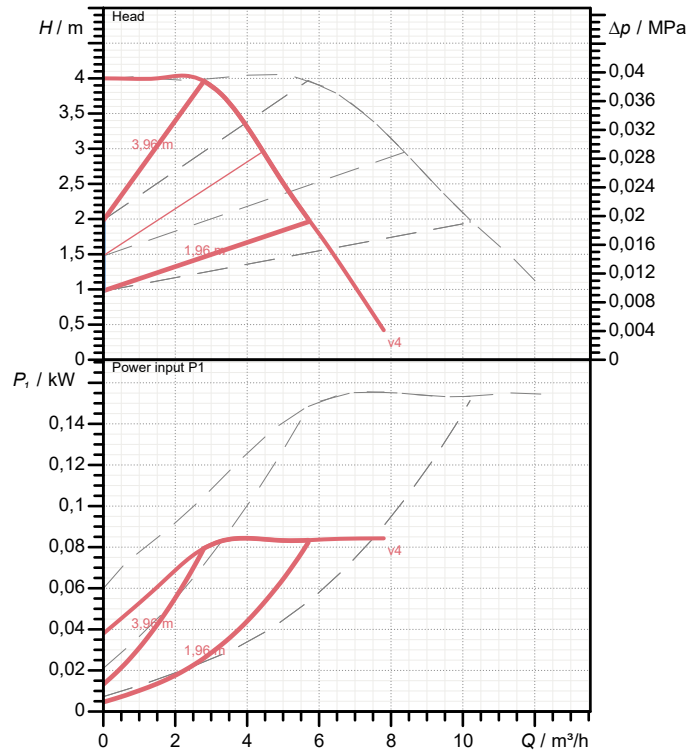
Flow :
Head :

Materials

Pump body : Cast iron 250 UNI ISO 185 - CTF
Impeller : Technopolymer
Motor shaft : Alumina
Seal ring : EPDM
Motor casing : Die cast aluminium
Closing flange : Stainless steel
Thrust ring support : EPDM

Curve tolerance according to ISO 9906

Number of working motors : 1



Motor data

Motor brand : DAB
Power input P1 : 1 X 0,085 kW
Rated voltage : 1~ 220-240 V 50 Hz
Nominal current : 1 X 0,7 A
Degree of protection : IP 44

Dimensions in mm

A	19	D1	90	H2	204	L1	110
A2	14	D2	100	H3	150	L2	110
B	220	D3	140	H4	150		
B1	62	D4	76	I	90		
B2	158	H	300	I1	90		
D	40	H1	304	L	220		

Weight : 13,5 kg

Pump connection

Suction side : DN 32 / PN6, PN10, PN16
Discharge side : DN 32 / PN6, PN10, PN16



PERFORMANCE CURVES

DAB PUMPS S.p.A.
Via Marco Polo, 14 - 35035 Mestrino (PD), Italy
Tel. +39 049 5125000 - Fax +39 049 5125950
www.dabpumps.com

2023-02-03

Page 2 / 3

Receiver

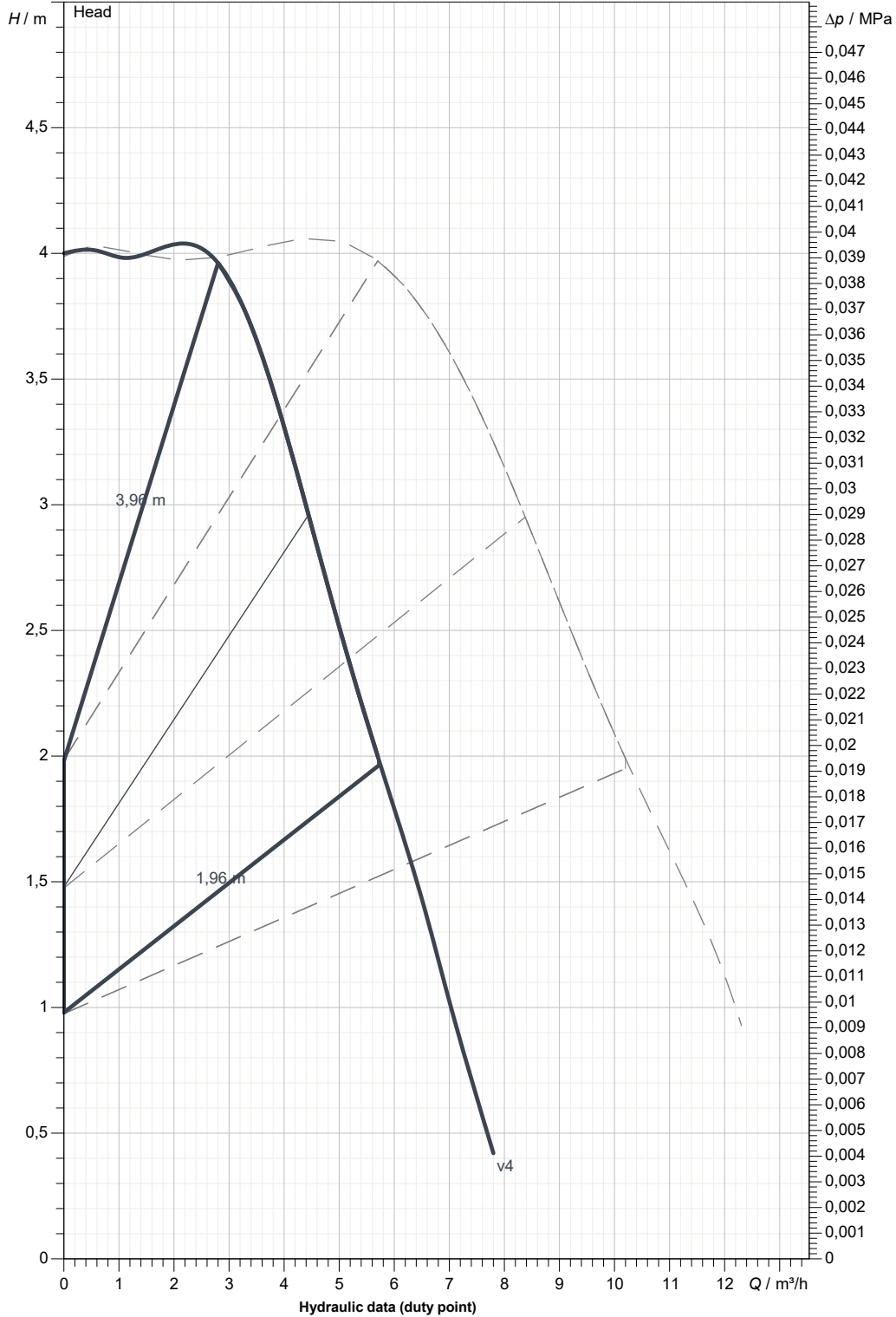
From

Society
Reference
Address
Phone
Fax
E-mail

EVOPLUS D 40/220.32 M

Number of working motors : 1

Curve tolerance according to ISO 9906



Suction side :

DN 32

PN6, PN10, PN16

Discharge side :

DN 32

PN6, PN10, PN16

Flow :

Head :

Rated speed :

2.900 1/min

MAIN_PROJECT_TITLE

BUSINESS_PROCESS_ID

OWNER_

ISSUE_DATE

2023-02-03



DIMENSIONAL DRAWING

DAB PUMPS S.p.A.
Via Marco Polo, 14 - 35035 Mestrino (PD), Italy
Tel. +39 049 5125000 - Fax +39 049 5125950
www.dabpumps.com

2023-02-03

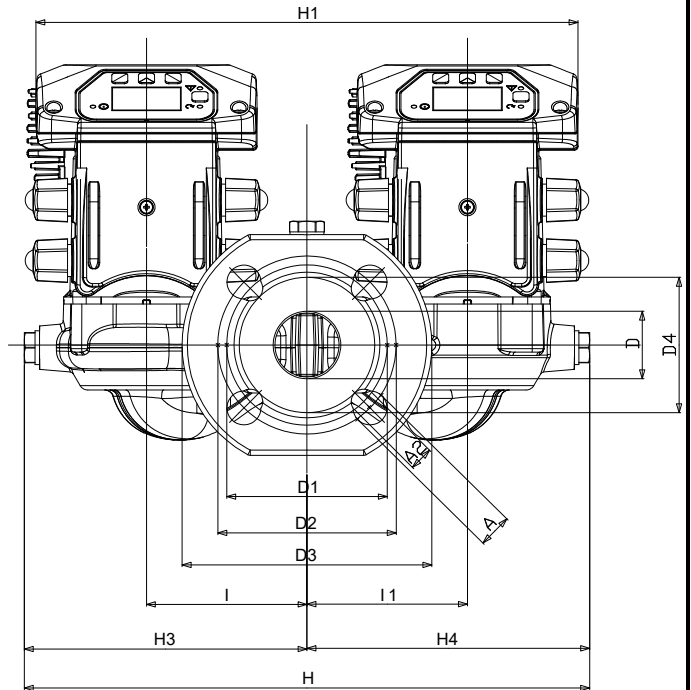
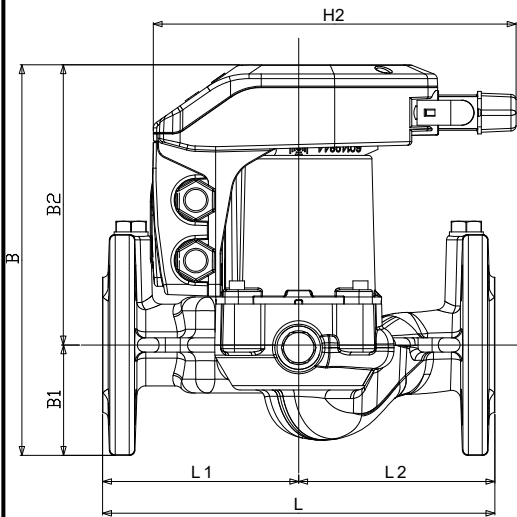
Page 3 / 3

Receiver

From

Society
Reference
Address
Phone
Fax
E-mail

EVOPLUS D 40/220.32 M



Dimensions in mm					Pump connection	
1	A	19	H1	304	Suction DN 32 PN6, PN10, PN16 Discharge DN 32 PN6, PN10, PN16	
2	A2	14	H2	204		
3	B	220	H3	150		
4	B1	62	H4	150		
5	B2	158	I	90		
6	D	40	I1	90		
7	D1	90	L	220		
8	D2	100	L1	110		
9	D3	140	L2	110		
10	D4	76				
11	H	300				

MAIN_PROJECT_TITLE	BUSINESS_PROCESS_ID	OWNER	ISSUE_DATE 2023-02-03
--------------------	---------------------	-------	---------------------------------