

**Receiver**

**From**

Society  
Reference  
Address  
Phone  
Fax  
E-mail

**Item n° :** 60150955  
**Customer pos. no.:**  
**Model :** EVOPLUS D 60/220.32 M

**Pump data**  
Pressure rating : 1,6 MPa  
Min. fluid temperature : -10 °C  
Max. fluid temperature : 110 °C  
EEI : ≤ 0,22

**Minimum suction head :**  
Temperature : °C 90 - 100  
Minimum suction head : m 20 - 25

**Requested data**  
Flow :  
Head :  
Fluid (%) :  
Fluid Temperature : 20 °C  
Density : 998,3 kg/m³  
Kinematic viscosity : 1,005 mm²/s  
Vapor pressure : 0,00 MPa

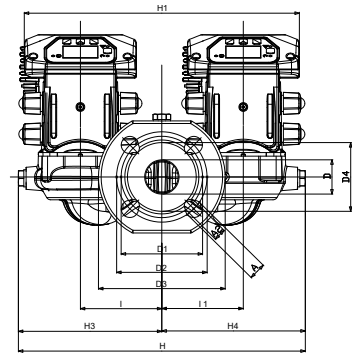
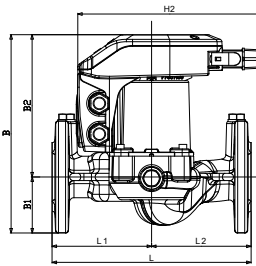
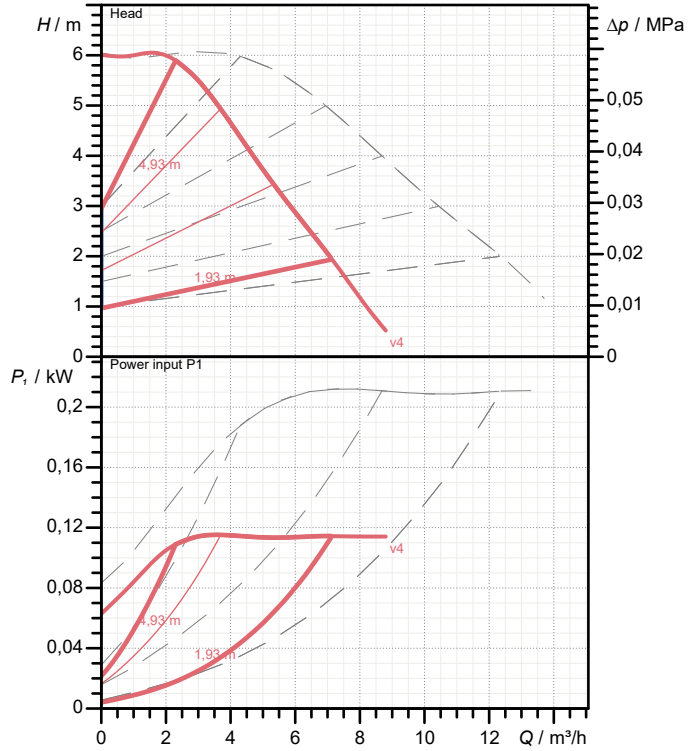
**Hydraulic data (duty point)**  
Flow :  
Head :

**Materials**  
Pump body : Cast iron 250 UNI ISO 185 - CTF  
Impeller : Technopolymer  
Motor shaft : Alumina  
Seal ring : EPDM  
Motor casing : Die cast aluminium  
Closing flange : Stainless steel  
Thrust ring support : EPDM

**Motor data**  
Motor brand : DAB  
Power input P1 : 1 X 0,12 kW  
Rated voltage : 1~ 220-240 V 50 Hz  
Nominal current : 1 X 0,9 A  
Degree of protection : IP 44

**Curve tolerance according to ISO 9906**

Number of working motors : 1



Dimensions in mm	
A	19
A2	14
B	220
B1	62
B2	158
D	40
D1	90
D2	100
D3	140
D4	76
H	300
H1	304
H2	204
H3	150
H4	150
I	90
I1	90
L	220
L1	110
L2	110

**Weight :** 13,5 kg

**Pump connection**

Suction side : DN 32 / PN6, PN10, PN16  
Discharge side : DN 32 / PN6, PN10, PN16



# PERFORMANCE CURVES

2023-02-03

Page 2 / 3

DAB PUMPS S.p.A.  
Via Marco Polo, 14 - 35035 Mestrino (PD), Italy  
Tel. +39 049 5125000 - Fax +39 049 5125950  
www.dabpumps.com

Receiver

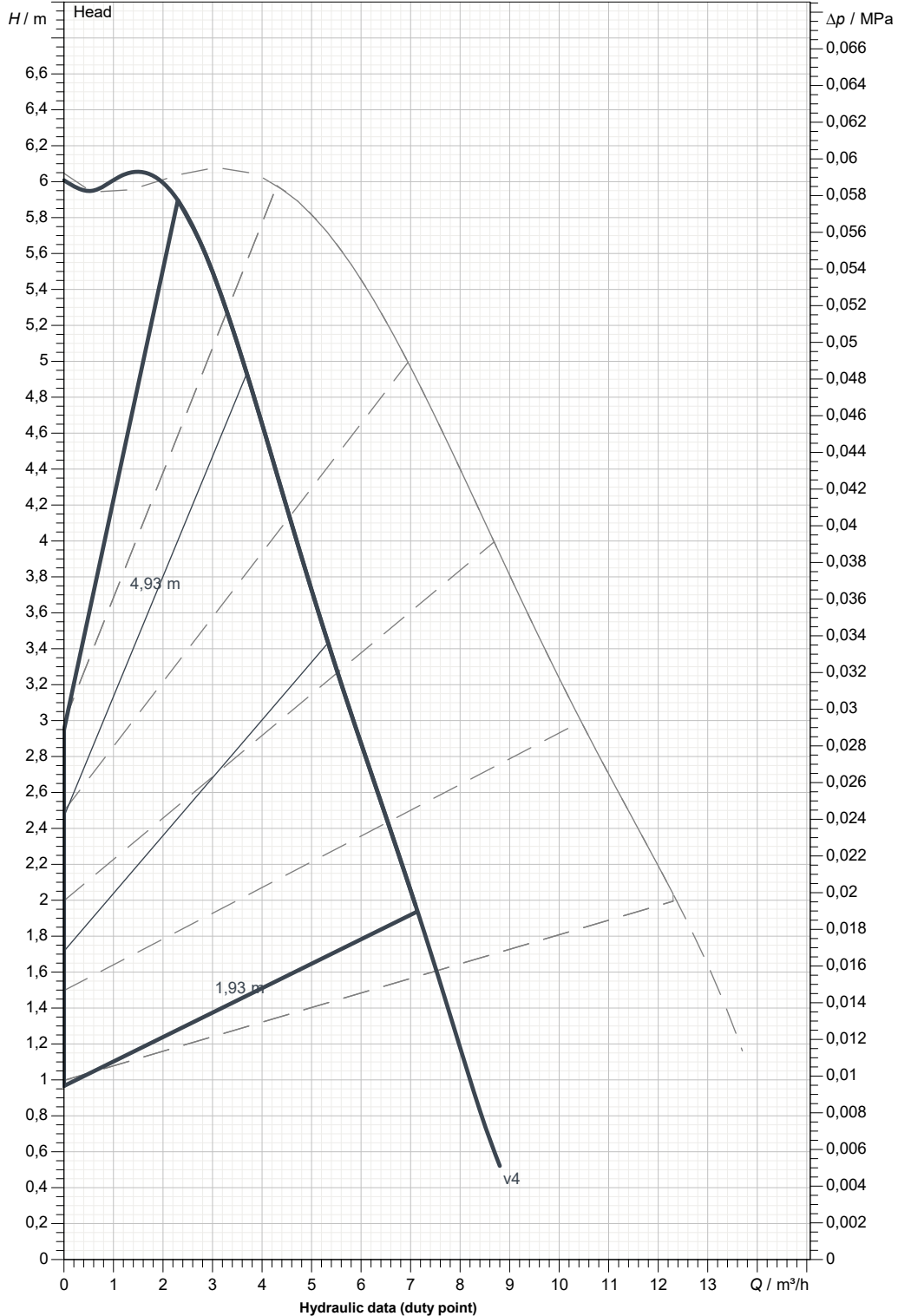
From

Society  
Reference  
Address  
Phone  
Fax  
E-mail

## EVOPLUS D 60/220.32 M

Number of working motors : 1

Curve tolerance according to ISO 9906



Suction side : DN 32 PN6, PN10, PN16	Discharge side : DN 32 PN6, PN10, PN16	Flow :	Head :	Rated speed : 2.900 1/min
MAIN_PROJECT_TITLE	BUSINESS_PROCESS_ID	OWNER_	ISSUE_DATE <b>2023-02-03</b>	



# DIMENSIONAL DRAWING

DAB PUMPS S.p.A.  
Via Marco Polo, 14 - 35035 Mestrino (PD), Italy  
Tel. +39 049 5125000 - Fax +39 049 5125950  
www.dabpumps.com

2023-02-03

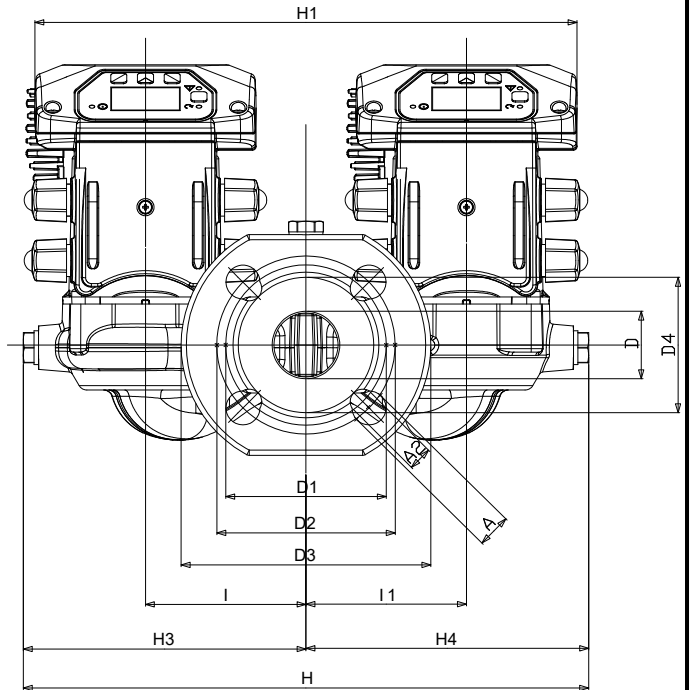
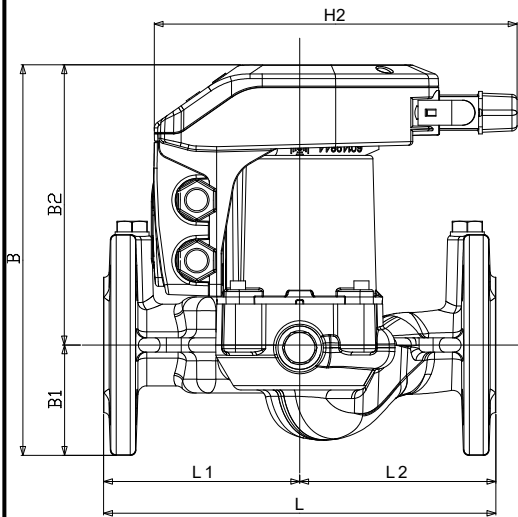
Page 3 / 3

Receiver

From

Society  
Reference  
Address  
Phone  
Fax  
E-mail

## EVOPLUS D 60/220.32 M



**Dimensions in mm**

**Pump connection**

1	A	19	H1	304	Suction DN 32 PN6, PN10, PN16  Discharge DN 32 PN6, PN10, PN16
2	A2	14	H2	204	
3	B	220	H3	150	
4	B1	62	H4	150	
5	B2	158	I	90	
6	D	40	I1	90	
7	D1	90	L	220	
8	D2	100	L1	110	
9	D3	140	L2	110	
10	D4	76			
11	H	300			

MAIN_PROJECT_TITLE	BUSINESS_PROCESS_ID	OWNER	ISSUE_DATE <b>2023-02-03</b>
--------------------	---------------------	-------	---------------------------------