

### Receiver

### From

Society  
Reference  
Address  
Phone  
Fax  
E-mail

**Item n° :** 60150959  
**Customer pos. no.:**  
**Model :** EVOPLUS D 60/250.40 M

#### Pump data

Pressure rating : 1,6 MPa  
Min. fluid temperature : -10 °C  
Max. fluid temperature : 110 °C  
EEI : ≤ 0,22

#### Minimum suction head :

Temperature : °C 90 - 100  
Minimum suction head : m 20 - 25

#### Requested data

Flow :  
Head :  
Fluid (%) :  
Fluid Temperature : 20 °C  
Density : 998,3 kg/m<sup>3</sup>  
Kinematic viscosity : 1,005 mm<sup>2</sup>/s  
Vapor pressure : 0,00 MPa

#### Hydraulic data (duty point)

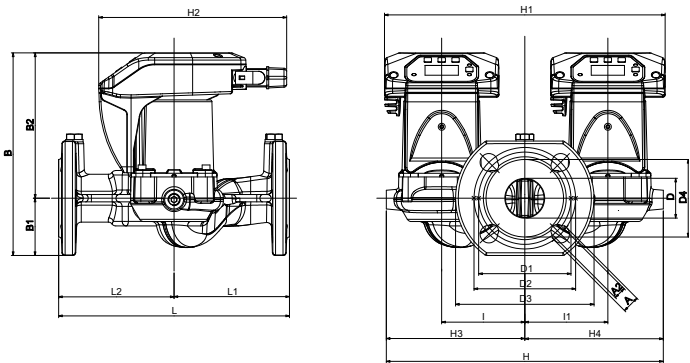
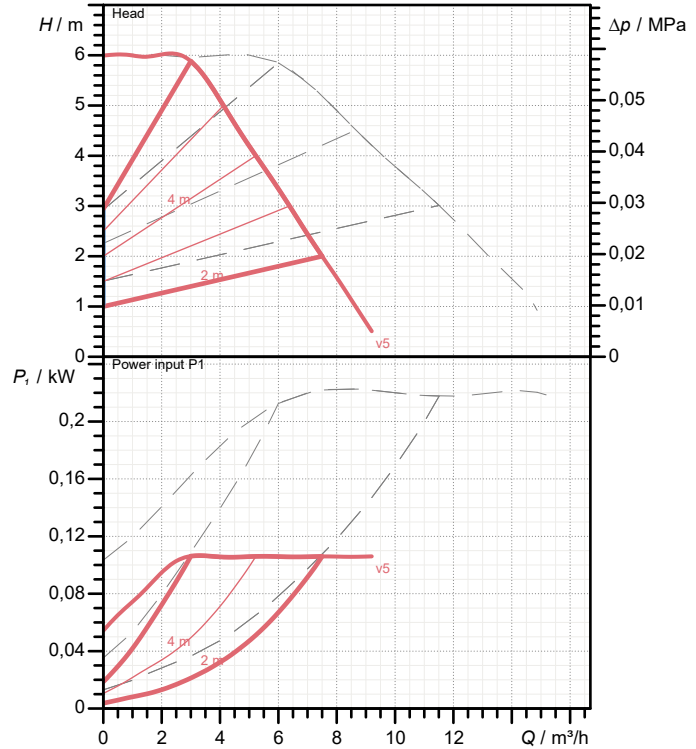
Flow :  
Head :

#### Materials

Pump body : Cast iron 250 UNI ISO 185 - CTF  
Impeller : Technopolymer  
Motor shaft : Alumina  
Seal ring : EPDM  
Motor casing : Die cast aluminium  
Closing flange : Stainless steel  
Thrust ring support : EPDM

#### Curve tolerance according to ISO 9906

Number of working motors : 1



#### Motor data

Motor brand : DAB  
Power input P1 : 1 X 0,1 kW  
Rated voltage : 1~ 220-240 V 50 Hz  
Nominal current : 1 X 0,75 A  
Degree of protection : IP 44

#### Dimensions in mm

A	19	D1	100	H2	204	L1	125
A2	14	D2	110	H3	150	L2	125
B	220	D3	150	H4	150		
B1	62	D4	84	I	90		
B2	158	H	300	I1	90		
D	43	H1	304	L	250		

Weight : 14,2 kg

#### Pump connection

Suction side : DN 40 / PN6, PN10, PN16  
Discharge side : DN 40 / PN6, PN10, PN16



# PERFORMANCE CURVES

2023-02-03

Page 2 / 3

DAB PUMPS S.p.A.  
Via Marco Polo, 14 - 35035 Mestrino (PD), Italy  
Tel. +39 049 5125000 - Fax +39 049 5125950  
www.dabpumps.com

Receiver

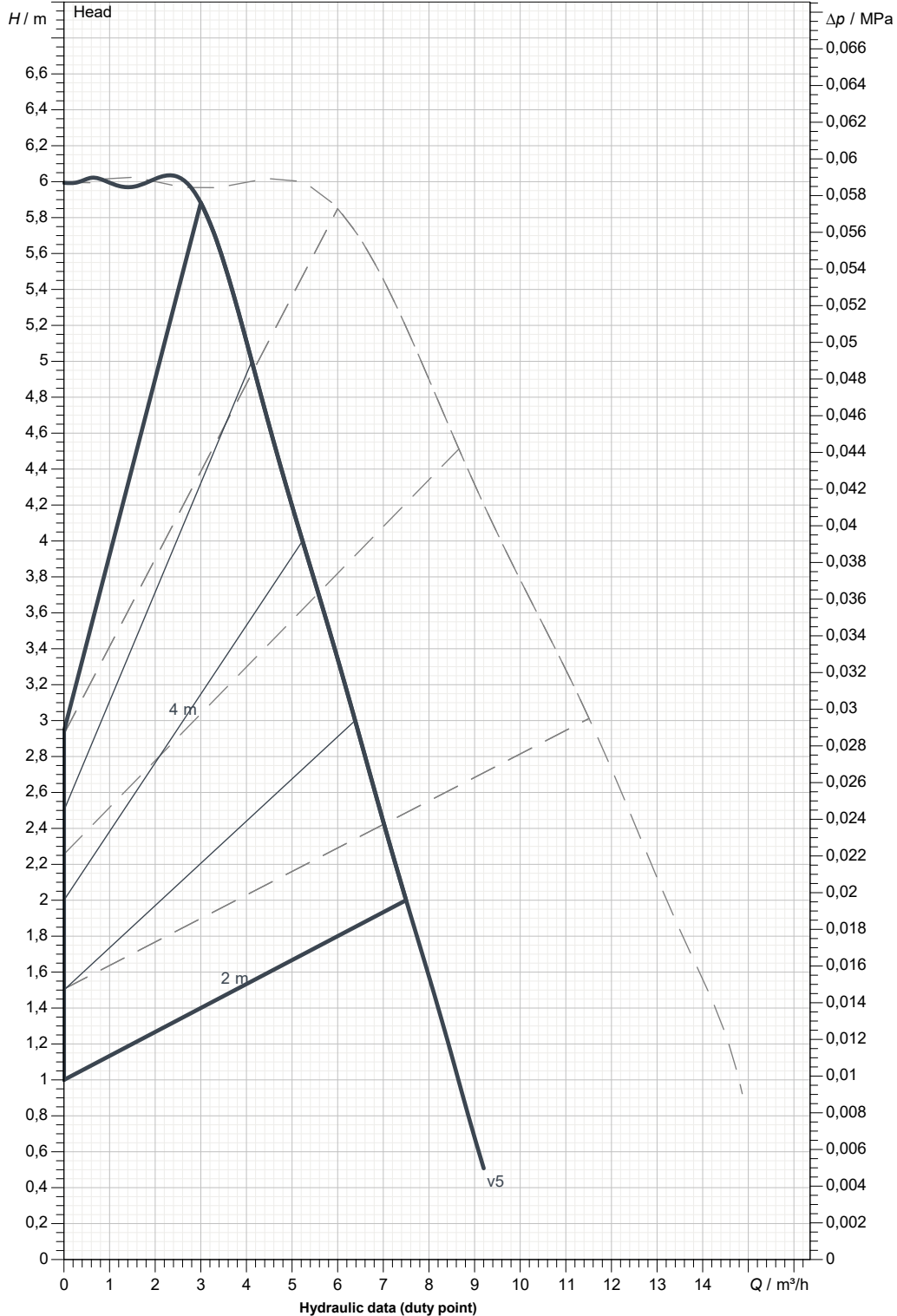
From

Society  
Reference  
Address  
Phone  
Fax  
E-mail

## EVOPLUS D 60/250.40 M

Number of working motors : 1

Curve tolerance according to ISO 9906



Suction side : DN 40 PN6, PN10, PN16	Discharge side : DN 40 PN6, PN10, PN16	Flow :	Head :	Rated speed : 2.900 1/min
MAIN_PROJECT_TITLE	BUSINESS_PROCESS_ID	OWNER_	ISSUE_DATE 2023-02-03	



# DIMENSIONAL DRAWING

DAB PUMPS S.p.A.  
Via Marco Polo, 14 - 35035 Mestrino (PD), Italy  
Tel. +39 049 5125000 - Fax +39 049 5125950  
www.dabpumps.com

2023-02-03

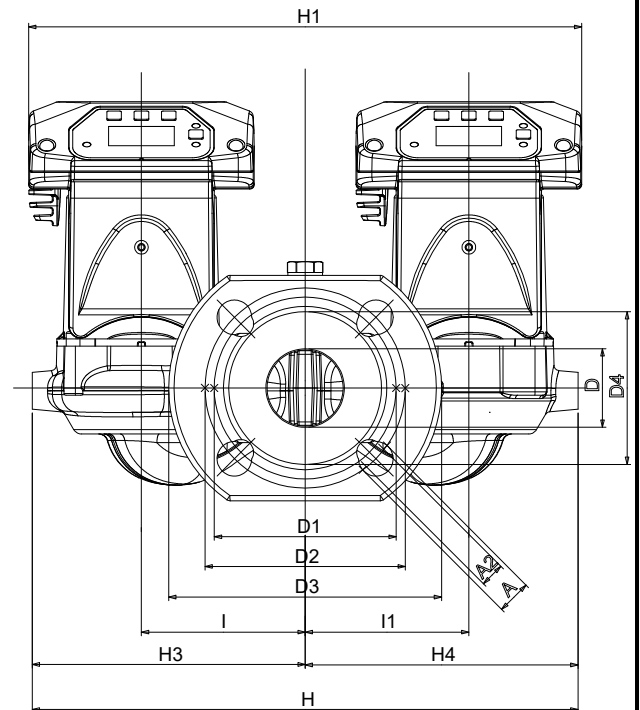
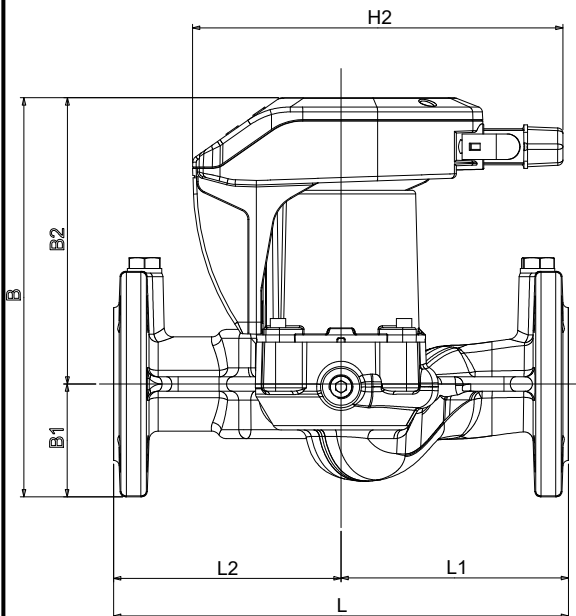
Page 3 / 3

Receiver

From

Society  
Reference  
Address  
Phone  
Fax  
E-mail

## EVOPLUS D 60/250.40 M



Dimensions in mm					Pump connection	
1	A	19	H1	304	Suction DN 40 PN6, PN10, PN16  Discharge DN 40 PN6, PN10, PN16	
2	A2	14	H2	204		
3	B	220	H3	150		
4	B1	62	H4	150		
5	B2	158	I	90		
6	D	43	I1	90		
7	D1	100	L	250		
8	D2	110	L1	125		
9	D3	150	L2	125		
10	D4	84				
11	H	300				

MAIN_PROJECT_TITLE	BUSINESS_PROCESS_ID	OWNER	ISSUE_DATE 2023-02-03
--------------------	---------------------	-------	--------------------------