

Receiver

From

Society
Reference
Address
Phone
Fax
E-mail

Item n° :
60150961
Customer pos. no.:
Model :
EVOPLUS D 110/250.40 M

Pump data
Pressure rating : 1,6 MPa
Min. fluid temperature : -10 °C
Max. fluid temperature : 110 °C
EEI : ≤ 0,22

Minimum suction head :
Temperature : °C 90 - 100
Minimum suction head : m 20 - 25

Requested data
Flow :
Head :
Fluid (%) :
Fluid Temperature : 20 °C
Density : 998,3 kg/m³
Kinematic viscosity : 1,005 mm²/s
Vapor pressure : 0,00 MPa

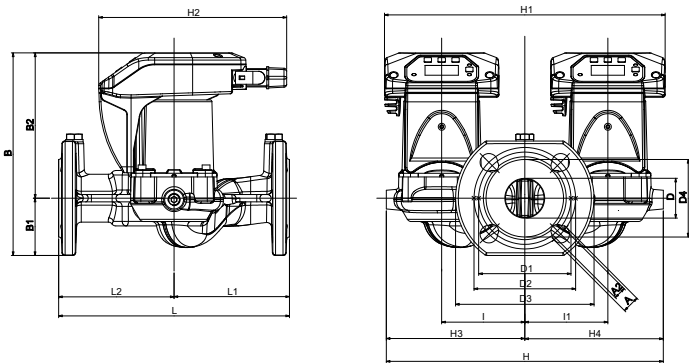
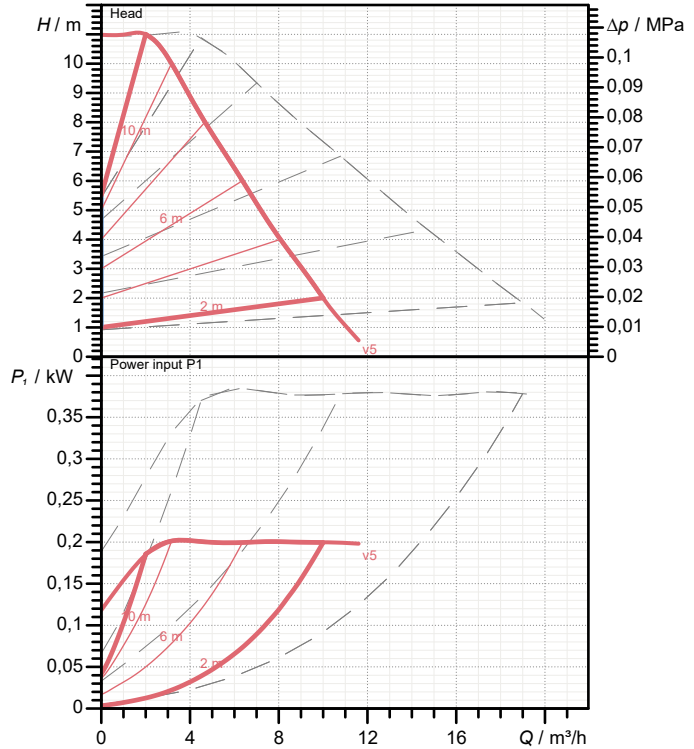
Hydraulic data (duty point)
Flow :
Head :

Materials
Pump body : Cast iron 250 UNI ISO 185 - CTF
Impeller : Technopolymer
Motor shaft : Alumina
Seal ring : EPDM
Motor casing : Die cast aluminium
Closing flange : Stainless steel
Thrust ring support : EPDM

Motor data
Motor brand : DAB
Power input P1 : 1 X 0,19 kW
Rated voltage : 1~ 220-240 V 50 Hz
Nominal current : 1 X 1,3 A
Degree of protection : IP 44

Curve tolerance according to ISO 9906

Number of working motors : 1



Dimensions in mm	
A	19
A2	14
B	220
B1	62
B2	158
D	43
D1	100
D2	110
D3	150
D4	84
H	300
H1	304
H2	204
H3	150
H4	150
I	90
I1	90
L	250
L1	125
L2	125
Weight : 14,2 kg	
Pump connection	
Suction side :	DN 40 / PN6, PN10, PN16
Discharge side :	DN 40 / PN6, PN10, PN16



PERFORMANCE CURVES

DAB PUMPS S.p.A.
Via Marco Polo, 14 - 35035 Mestrino (PD), Italy
Tel. +39 049 5125000 - Fax +39 049 5125950
www.dabpumps.com

2023-02-03

Page 2 / 3

Receiver

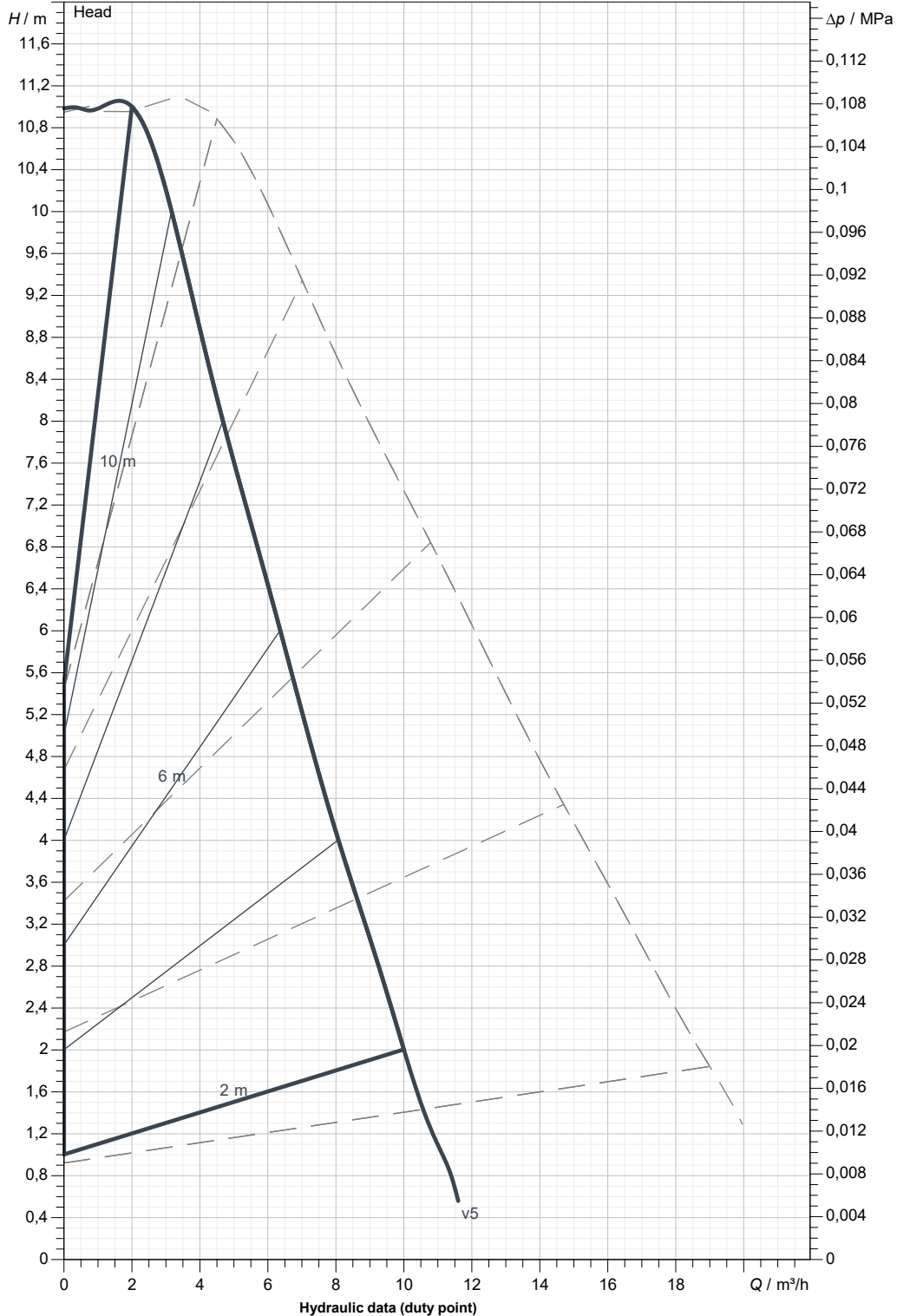
From

Society
Reference
Address
Phone
Fax
E-mail

EVOPLUS D 110/250.40 M

Number of working motors : 1

Curve tolerance according to ISO 9906



Suction side : DN 40 PN6, PN10, PN16	Discharge side : DN 40 PN6, PN10, PN16	Flow :	Head :	Rated speed : 2.900 1/min
MAIN_PROJECT_TITLE	BUSINESS_PROCESS_ID	OWNER_	ISSUE_DATE 2023-02-03	



DIMENSIONAL DRAWING

DAB PUMPS S.p.A.
Via Marco Polo, 14 - 35035 Mestrino (PD), Italy
Tel. +39 049 5125000 - Fax +39 049 5125950
www.dabpumps.com

2023-02-03

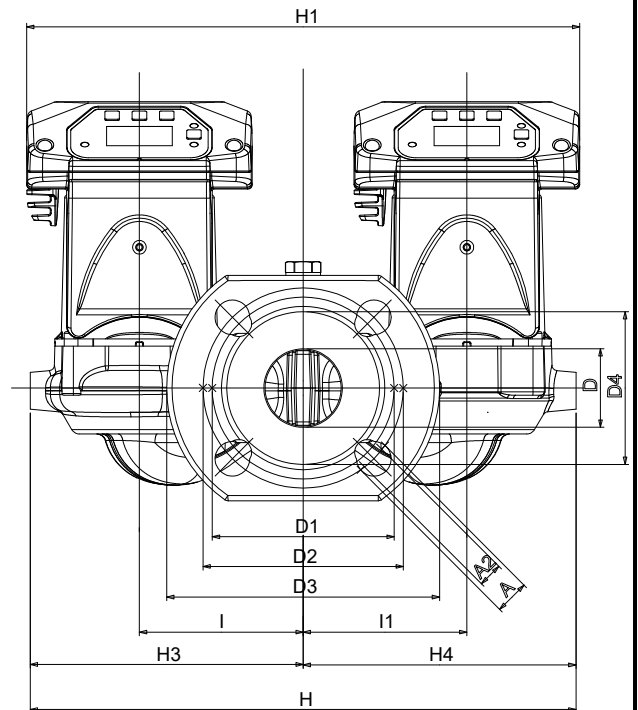
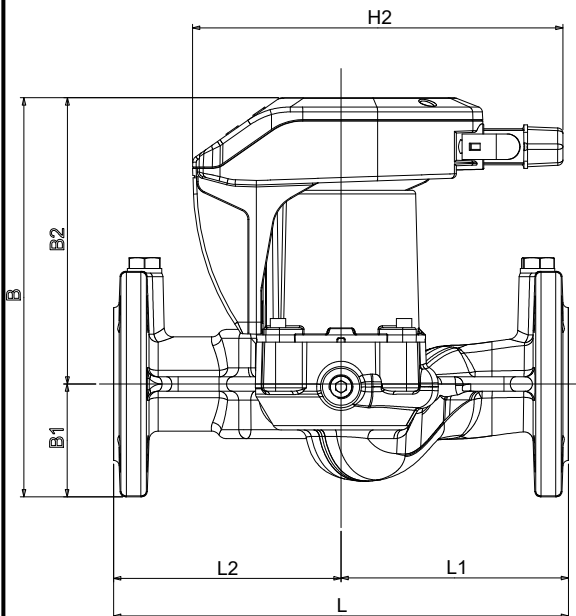
Page 3 / 3

Receiver

From

Society
Reference
Address
Phone
Fax
E-mail

EVOPLUS D 110/250.40 M



Dimensions in mm

Pump connection

1	A	19	H1	304	
2	A2	14	H2	204	
3	B	220	H3	150	Suction
4	B1	62	H4	150	DN 40
5	B2	158	I	90	PN6, PN10, PN16
6	D	43	I1	90	
7	D1	100	L	250	Discharge
8	D2	110	L1	125	DN 40
9	D3	150	L2	125	PN6, PN10, PN16
10	D4	84			
11	H	300			

MAIN_PROJECT_TITLE

BUSINESS_PROCESS_ID

OWNER

ISSUE_DATE

2023-02-03