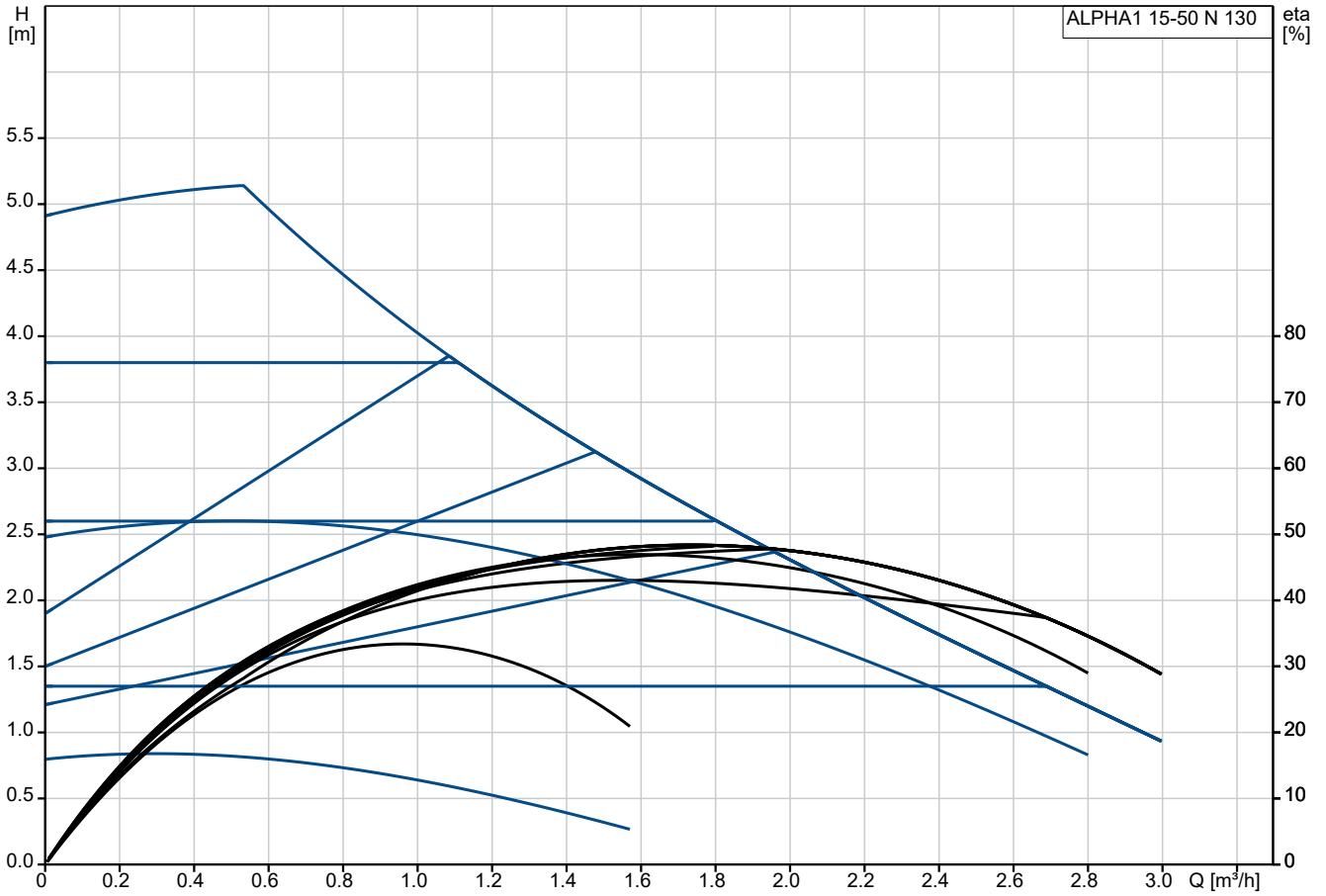
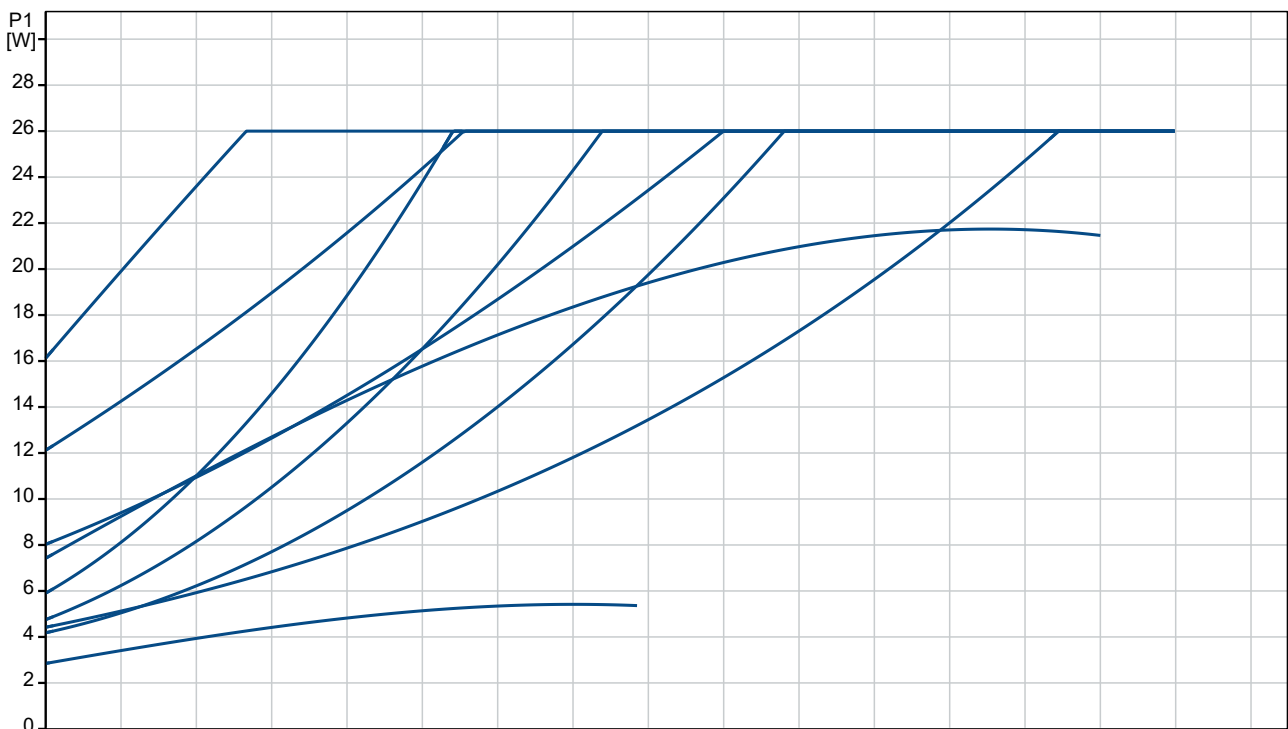


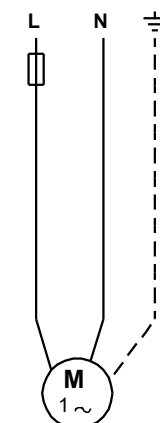
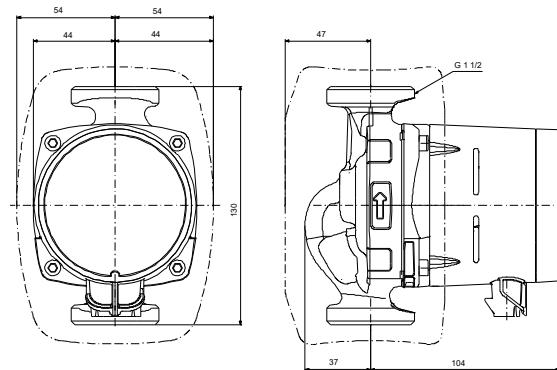
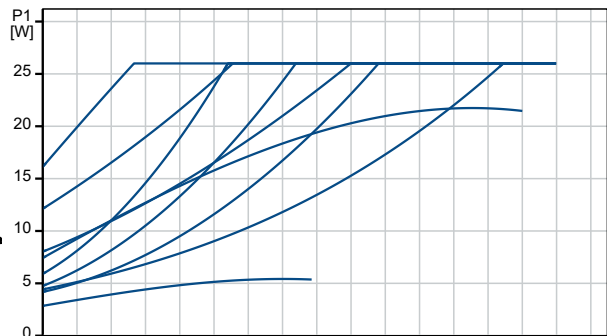
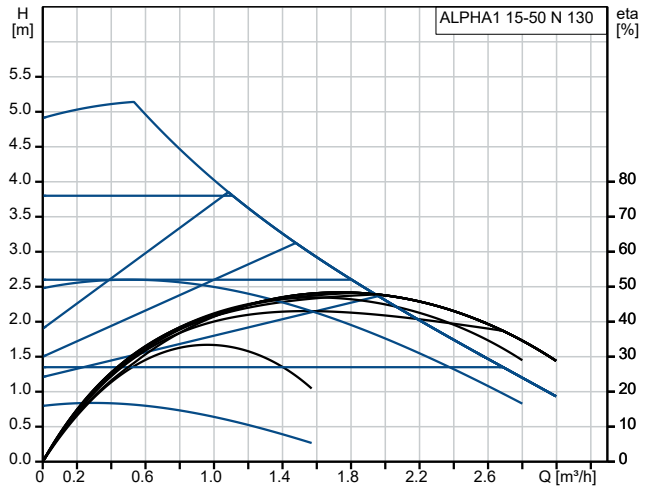
On request ALPHA1 15-50 N 130



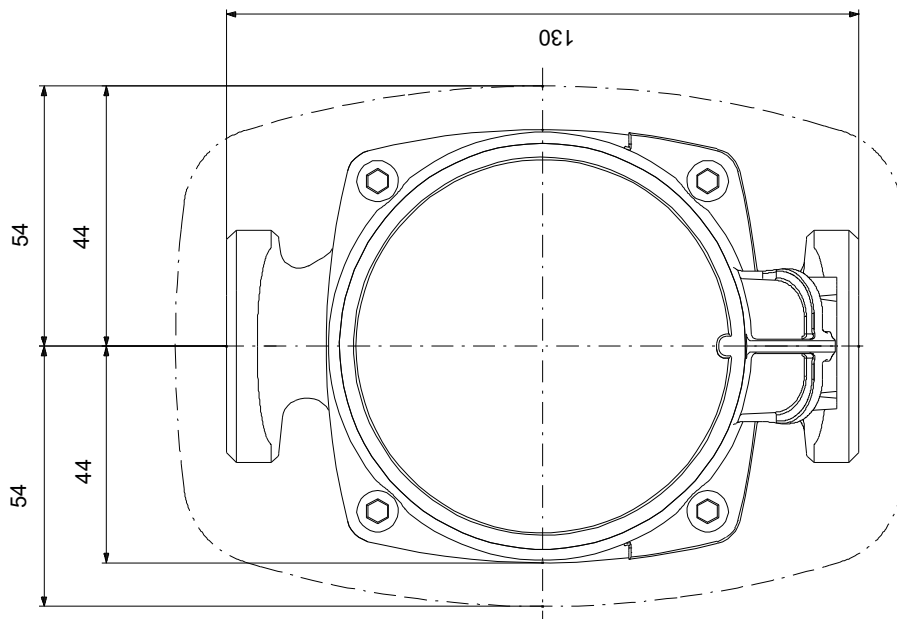
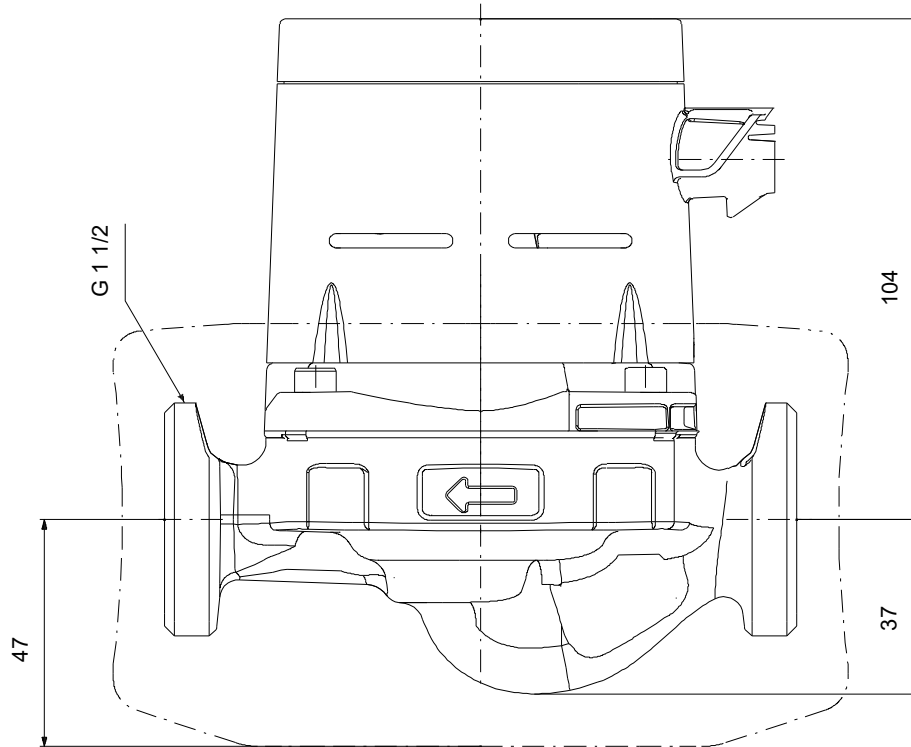
Pumped liquid = Water
 Liquid temperature during operation = 60 °C
 Density = 983.2 kg/m³



Description	Value
General information:	
Product name:	ALPHA1 15-50 N 130
Product No:	On request
EAN number:	On request
Technical:	
Rated flow:	1.5 m ³ /h
Rated head:	2.8 m
Maximum head:	50 dm
TF class:	110
Approvals:	CE,VDE,UKCA
Model:	B
Materials:	
Pump housing:	Stainless steel
Pump housing:	EN 1561 EN-GJL-150
Pump housing:	ASTM A48M-150B
Impeller:	Composite
Impeller:	PES 30% GF + PESU-GF20%
Installation:	
Range of ambient temperature:	0 .. 40 °C
Maximum operating pressure:	10 bar
Type of connection:	G
Size of connection:	1 1/2 inch
Pressure rating for connection:	PN 10
Port-to-port length:	130 mm
Liquid:	
Pumped liquid:	Water
Liquid temperature range:	2 .. 110 °C
Selected liquid temperature:	60 °C
Density:	983.2 kg/m ³
Electrical data:	
Minimum power input - P1:	3 W
Power input P1:	26 W
Mains frequency:	50 / 60 Hz
Rated voltage:	1 x 230 V
Maximum current consumption:	0.04 .. 0.24 A
Enclosure class (IEC 34-5):	X4D
Insulation class (IEC 85):	F
Built-in motor protection:	NONE
Thermal protec:	ELEC
Controls:	
Aut. night:	N
Others:	
Energy (EEI):	0.20
Terminal box position:	6H
Net weight:	2.04 kg
Gross weight:	2.2 kg
Shipping volume:	0.004 m ³
Sales region:	GB
Country of origin:	DK
Custom tariff no.:	84137030

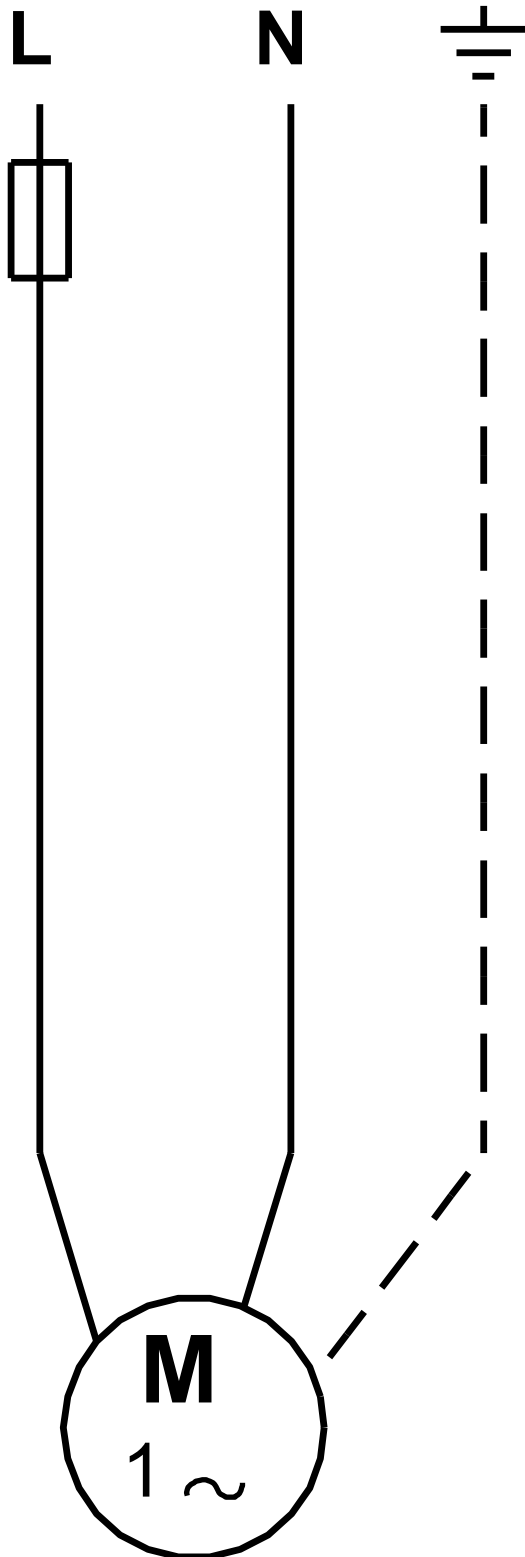


On request ALPHA1 15-50 N 130



Note! All units are in [mm] unless others are stated.
Disclaimer: This simplified dimensional drawing does not show all details.

On request ALPHA1 15-50 N 130



Note! All units are in [mm] unless others are stated.



Company name:

Created by:

Phone:

Date: 28/04/2023

Order Data:

Position	Your pos.	Product name	Amount	Product No	Total
		ALPHA1 15-50 N 130	1	On request	Price on request