

Qty. Description

1 TP 32-50/2 A-O-I-BQQE-AW1



Note! Product picture may differ from actual product

Product No.: [98346615](#)

Single-stage, close-coupled, volute pump with in-line suction and discharge ports of identical diameter. The pump is of the top-pull-out design, i.e. the power head (motor, pump head and impeller) can be removed for maintenance or service while the pump housing remains in the pipework.

The pump is fitted with an unbalanced rubber bellows seal. The shaft seal is according to EN 12756. The pump is fitted with a fan-cooled asynchronous motor.

Controls:

Frequency converter: None

Liquid:

Pumped liquid: Water
 Liquid temperature range: -25 .. 120 °C
 Selected liquid temperature: 20 °C
 Density: 998.2 kg/m³

Technical:

Pump speed on which pump data are based: 2800 rpm
 Rated flow: 4.91 m³/h
 Rated head: 3.29 m
 Actual impeller diameter: 68 mm
 Code for shaft seal: BQQE
 Curve tolerance: ISO9906:2012 3B2

Materials:

Pump housing: Stainless steel
 EN 1.4308
 ASTM CF8
 Impeller: Composite
 PES+30% GF

Installation:

Range of ambient temperature: -30 .. 40 °C
 Maximum operating pressure: 10 bar
 Max pressure at stated temp: 10 bar / 120 °C
 Type of connection: G
 Size of connection: DN 32
 Pressure rating for connection: PN 10
 Port-to-port length: 180 mm
 Flange size for motor: FT75

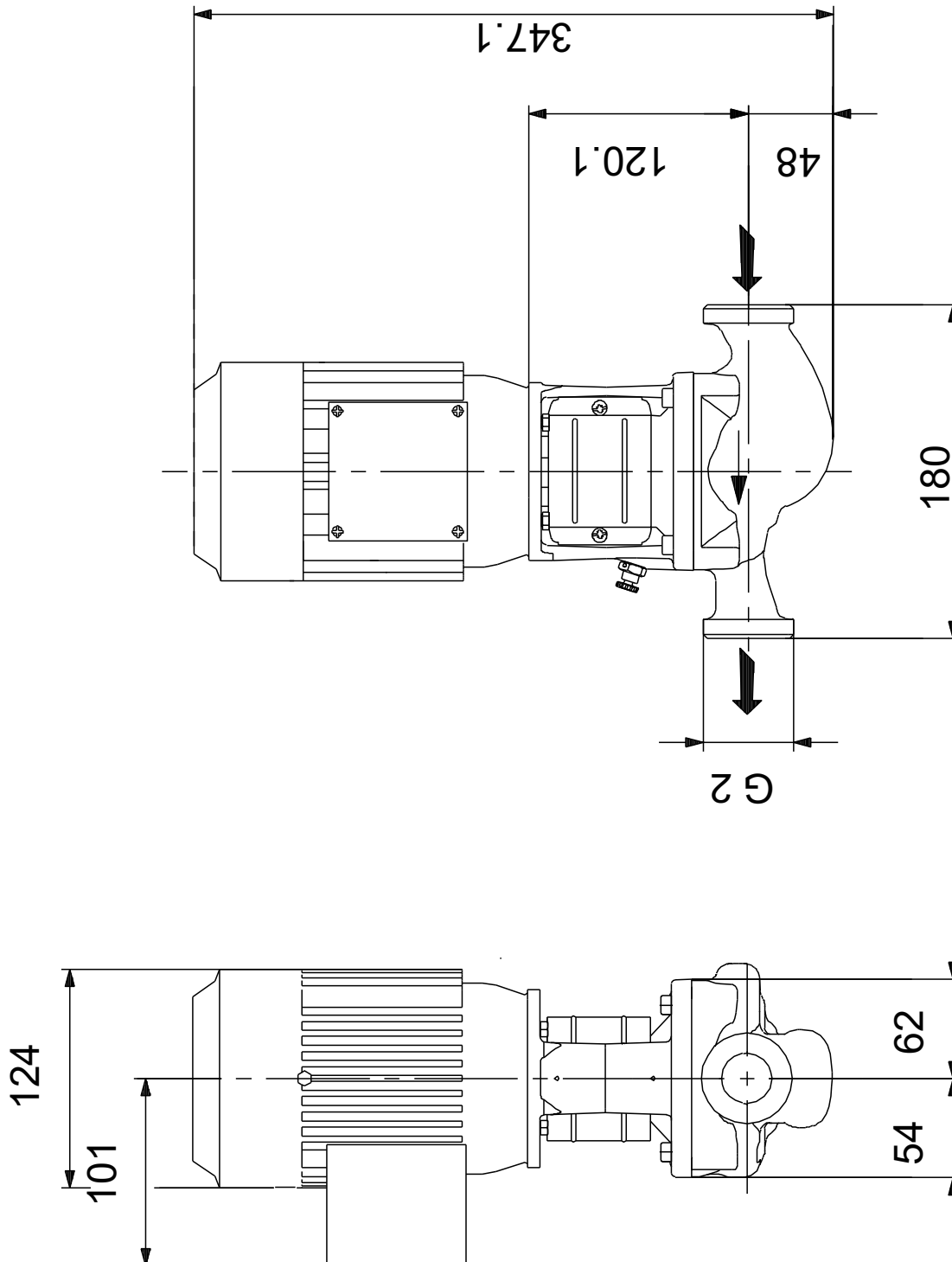
Electrical data:

Motor type: SIEMENS
 Rated power - P2: 0.12 kW
 Mains frequency: 50 Hz

Qty. Description

1	<p>Rated voltage: 3 x 220-240D/380-415Y V</p> <p>Rated current: 0,64-0,66/0,37-0,38 A</p> <p>Starting current: 450-450 %</p> <p>Cos phi - power factor: 0.78</p> <p>Rated speed: 2830 rpm</p> <p>IE efficiency: IE3 60,8%</p> <p>IE Efficiency class: IE3</p> <p>Motor efficiency at full load: 60.8-60.8 %</p> <p>Motor efficiency at 3/4 load: 59.4-59.4 %</p> <p>Motor efficiency at 1/2 load: 53.7-53.7 %</p> <p>Number of poles: 2</p> <p>Enclosure class (IEC 34-5): IP55</p> <p>Insulation class (IEC 85): F</p> <p>Motor No: 81602312</p> <p>Others:</p> <p>Net weight: 8.2 kg</p> <p>Gross weight: 9.2 kg</p> <p>Shipping volume: 0.026 m³</p> <p>Danish VVS No.: 381871050</p> <p>Country of origin: HU</p> <p>Custom tariff no.: 84137051</p>
---	---

98346615 TP 32-50/2 A-O-I-BQQE-AW1 50 Hz



Note! All units are in [mm] unless others are stated.
Disclaimer: This simplified dimensional drawing does not show all details.