


Project:
Reference Number:

Client:
Client Number:
Contact:

Qty.	Description
1	<p>MAGNA1 65-100 F N</p>  <p>Note! Product picture may differ from actual product</p> <p>Product No.: 99221397</p> <p>The Grundfos MAGNA1 circulator pump is the simple option for a job well done. With its high energy efficiency the product lives up to the EuP 2015 regulations ensuring substantial savings on electricity, and with its intuitive, user-friendly interface and maintenance-free design, MAGNA1 is the ideal circulator pump for basic performance needs in applications where basic system control and monitoring are desired.</p> <p>With this range of circulator pumps, everything from setup to basic control and monitoring are made easy. The pump is maintenance-free due to the canned-rotor type design.</p> <p>MAGNA1 offers the possibility of monitoring the pump via the fault relay output. The digital start/stop input remotely controls the pump.</p> <p>The pump communicates wirelessly with the Grundfos GO Remote app.</p> <p>MAGNA1 can work as main pump in both heating and cooling applications, including:</p> <ul style="list-style-type: none">• Mixing loops• Heating surfaces• Air-conditioning surfaces• Ground-source heat pump systems• Smaller chiller applications. <p>MAGNA1 is a single-phase pump and characterised by having the controller and operating panel integrated in the control box.</p> <p>The pump housing is available in both cast-iron and stainless-steel versions.</p> <p>The composite rotor can be carbon-fibre reinforced, the bearing plate and rotor cladding are made of stainless steel and the stator housing is made of aluminium.</p> <p>The power electronics are air-cooled.</p> <p>The pump incorporates a 4-pole synchronous, permanent-magnet motor (PM motor). This motor type is characterised by higher efficiency than a conventional asynchronous squirrel-cage motor. The pump speed is controlled by an integrated frequency converter.</p>

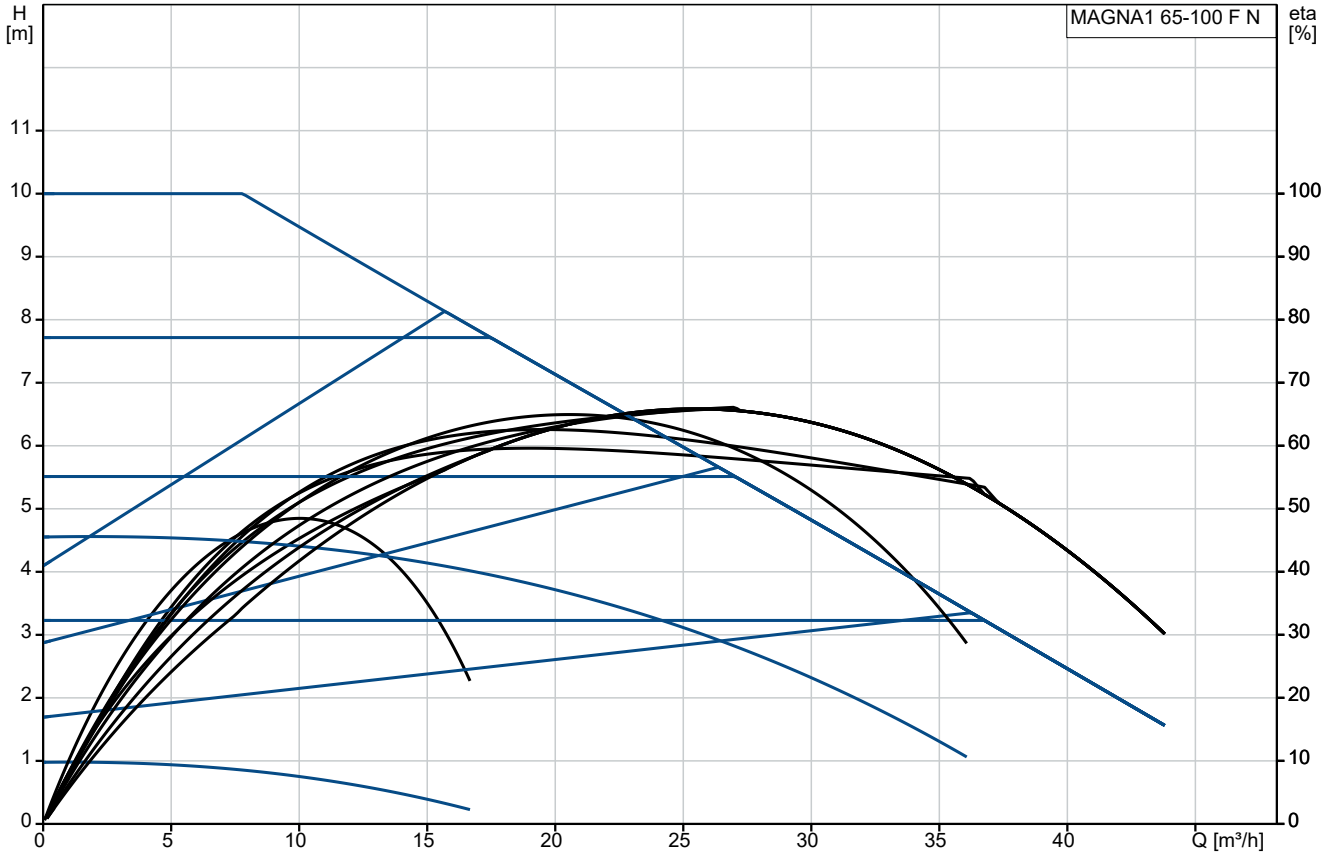


Company name: national pumps and boilers
Created by:
Phone: 01539 729395
Email: info@nationlapumpsandboilers.co.uk
Date: 28/12/2023

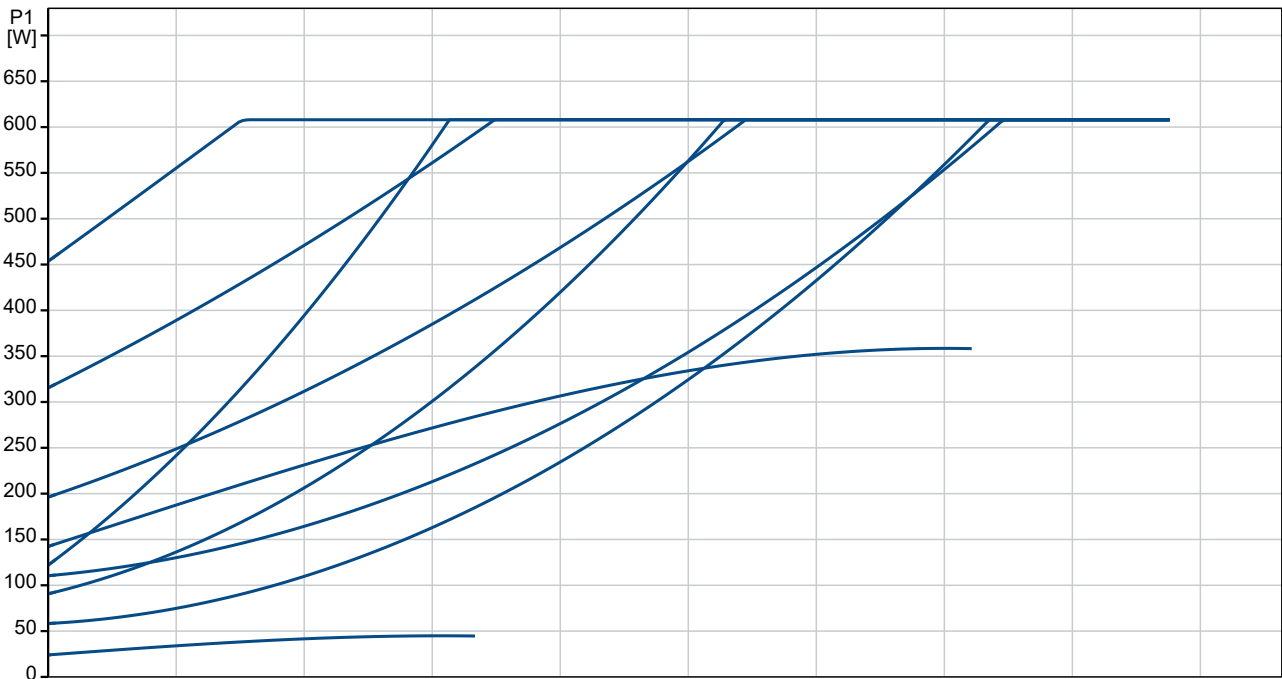
Project:
Reference Number:

Client:
Client Number:
Contact:

99221397 MAGNA1 65-100 F N



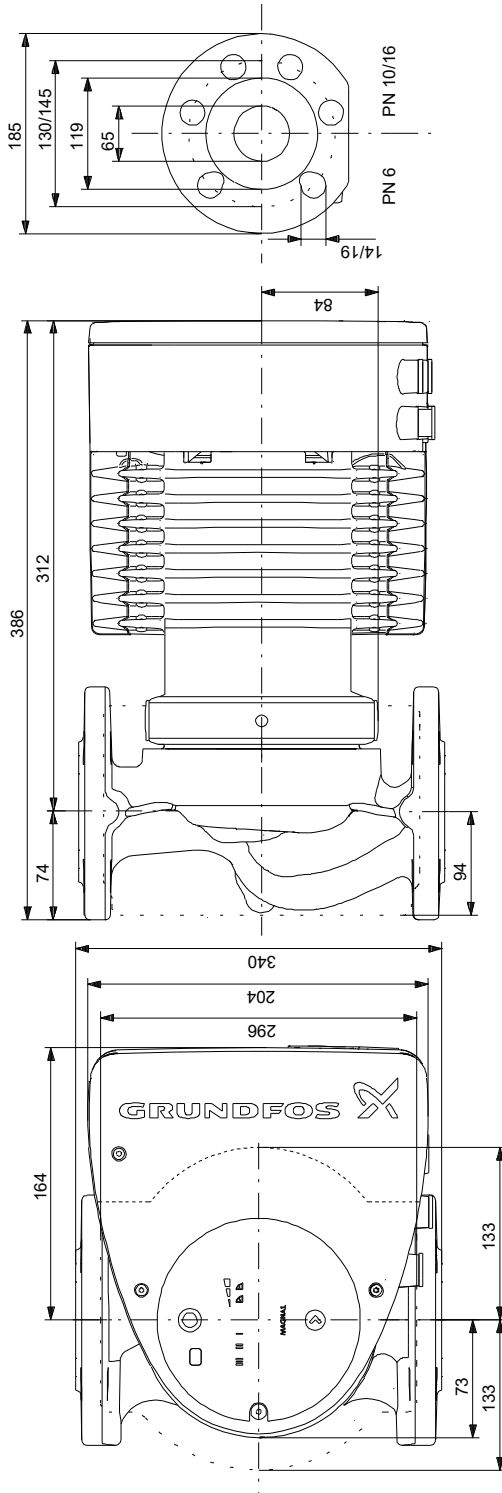
Pumped liquid = Water
Liquid temperature during operation = 60 °C
Density = 983.2 kg/m³



Project:
Reference Number:

Client:
Client Number:
Contact:

99221397 MAGNA1 65-100 F N



Note! All units are in [mm] unless others are stated.
 Disclaimer: This simplified dimensional drawing does not show all details.