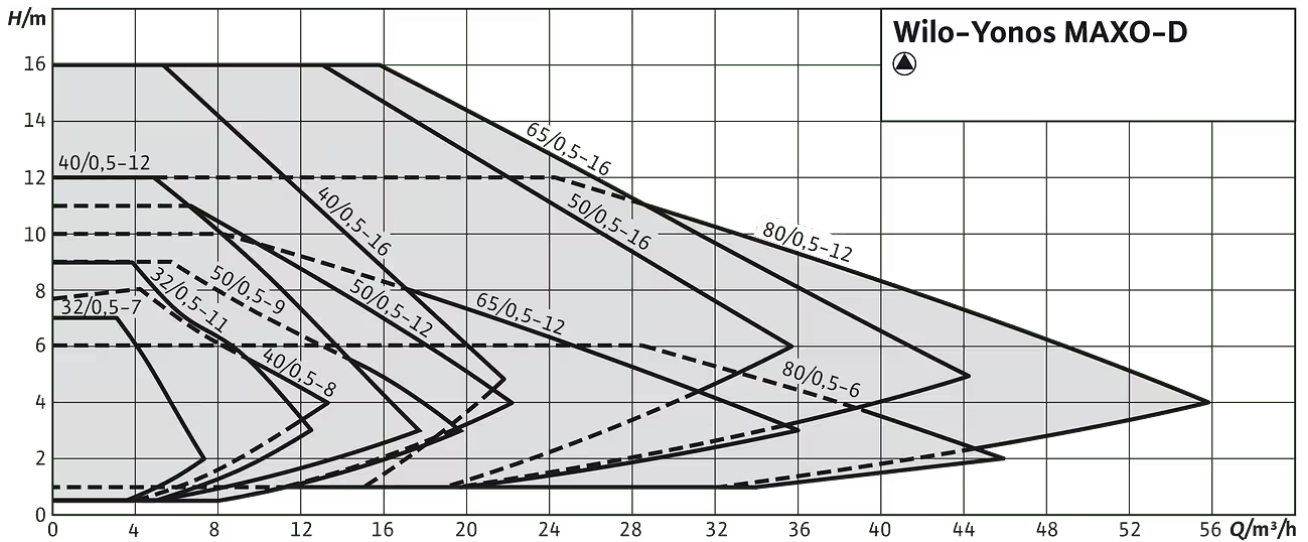


## Wilo-Yonos MAXO-D



<b>Wilo-Yonos MAXO-D</b>	<b>3</b>
Yonos MAXO-D 32/0,5-7 PN 6/10	5
Yonos MAXO-D 32/0,5-11 PN 6/10	7
Yonos MAXO-D 40/0,5-8 PN 6/10	9
Yonos MAXO-D 40/0,5-12 PN 6/10	11
Yonos MAXO-D 40/0,5-16 PN 6/10	13
Yonos MAXO-D 50/0,5-9 PN 6/10	15
Yonos MAXO-D 50/0,5-12 PN 6/10	17
Yonos MAXO-D 50/0,5-16 PN 6/10	19
Yonos MAXO-D 65/0,5-12 PN 6/10	21
Yonos MAXO-D 65/0,5-16 PN 6/10	23
Yonos MAXO-D 80/0,5-6 PN 6	25
Yonos MAXO-D 80/0,5-6 PN 10	27
Yonos MAXO-D 80/0,5-12 PN 6	29
Yonos MAXO-D 80/0,5-12 PN 10	31



**Design**

Glandless circulator with flange connection, EC motor with automatic power adjustment

**Application**

Hot-water heating systems of all kinds, air-conditioning systems, closed cooling circuits, industrial circulation systems.

**Equipment/function**

**Operating modes**

- > Δp-c for constant differential pressure
- > Δp-v for variable differential pressure

**Manual functions**

- > Setting the operating mode
- > Setting of pump output (delivery head)

**Automatic functions**

- > Infinitely variable power adjustment according to the operating mode
- > Deblocking function
- > Soft start
- > Integrated full motor protection

**Signal and display functions**

- > Collective fault signal (potential-free NC contact)
- > Fault signal light
- > LED segment display for displaying the delivery head and fault codes

**Double pump function**

- > Main/standby operation: for an automatic fault-actuated switchover, a corresponding switchgear must be provided on-site.
- > Predefined control mode and set delivery head must be identical for both pumps.

**Equipment**

- > Wrench attachment point on pump body (for threaded pipe union pumps)
- > Quick electrical connection with Wilo plug. For the connection of the mains and SSM lines, with integrated strain relief
- > For flange-end pumps: Flange versions
  - > Standard version for pumps DN 32 to DN 65: Combination flange PN 6/10 (flange PN 16 acc. to EN 1092-2) for counter flanges PN 6 and PN 16
  - > Standard version for DN 80/DN 100 pumps: PN 6 flange (designed for PN 16 according to EN 1092-2) for PN 6 counter flange

**Typekey**

Example: **Wilo-Yonos MAXO-D 32/0.5-7**  
 High-efficiency pump (screw-end or flange-end pump), electronically controlled  
**Yonos MAXO**  
**-D** Double pump  
**32/** Nominal connection diameter  
**0.5-7** Nominal delivery head range [m]

**Technical data**

- > Permissible temperature range of -20°C to +110°C
- > Mains connection 1~230 V, 50/60 Hz
- > Protection class IP X4D
- > Flange connection DN 32 to DN 80
- > Max. operating pressure of standard version: 6/10 bar or 6 bar (special version: 10 bar)

**Materials**

- > Pump housing: grey cast iron with cataphoretic coating
- > Shaft: Stainless steel
- > Bearing: carbon, metal impregnated
- > Impeller: Plastic

**Scope of delivery**

- > Pump
- > Incl. washers for flange screws (for nominal connection diameters DN 32 - DN 65)
- > Including installation and operating instructions

**Product list**

Product description	Pump connection	EEI	Port-to-port length <i>L0</i>	Maximum operating pressure <i>PN</i>	Mains connection	Gross weight, approx. <i>m</i>	Pieces per pallet	Article number
Yonos MAXO-D 32/0,5-7 PN 6/10	DN 32	0.23	220 mm	10 bar	1~230 V, 50/60 Hz	12.2 kg	16	2160585
Yonos MAXO-D 32/0,5-11 PN 6/10	DN 32	0.23	220 mm	10 bar	1~230 V, 50/60 Hz	18.9 kg	16	2120663
Yonos MAXO-D 40/0,5-8 PN 6/10	DN 40	0.23	220 mm	10 bar	1~230 V, 50/60 Hz	19.3 kg	8	2120664
Yonos MAXO-D 40/0,5-12 PN 6/10	DN 40	0.23	250 mm	10 bar	1~230 V, 50/60 Hz	26.6 kg	12	2120665
Yonos MAXO-D 40/0,5-16 PN 6/10	DN 40	0.23	250 mm	10 bar	1~230 V, 50/60 Hz	46.8 kg	4	2120666
Yonos MAXO-D 50/0,5-9 PN 6/10	DN 50	0.23	280 mm	10 bar	1~230 V, 50/60 Hz	28.9 kg	12	2120667
Yonos MAXO-D 50/0,5-12 PN 6/10	DN 50	0.23	280 mm	10 bar	1~230 V, 50/60 Hz	28.5 kg	12	2120668
Yonos MAXO-D 50/0,5-16 PN 6/10	DN 50	0.23	340 mm	10 bar	1~230 V, 50/60 Hz	51.2 kg	4	2120669
Yonos MAXO-D 65/0,5-12 PN 6/10	DN 65	0.23	340 mm	10 bar	1~230 V, 50/60 Hz	54.7 kg	4	2120670
Yonos MAXO-D 65/0,5-16 PN 6/10	DN 65	0.23	340 mm	10 bar	1~230 V, 50/60 Hz	54.2 kg	4	2120671
Yonos MAXO-D 80/0,5-6 PN 6	DN 80	0.23	360 mm	6 bar	1~230 V, 50/60 Hz	60.6 kg	4	2163260
Yonos MAXO-D 80/0,5-6 PN 10	DN 80	0.23	360 mm	10 bar	1~230 V, 50/60 Hz	60.6 kg	4	2163261
Yonos MAXO-D 80/0,5-12 PN 6	DN 80	0.23	360 mm	6 bar	1~230 V, 50/60 Hz	60.6 kg	4	2120672
Yonos MAXO-D 80/0,5-12 PN 10	DN 80	0.23	360 mm	10 bar	1~230 V, 50/60 Hz	60.6 kg	4	2120673



## Data sheet

### Hydraulic data

Maximum operating pressure $P_N$	10 bar
Head max $H_{max}$	0.0 m
Flow max $Q_{max}$	7.4 m <sup>3</sup> /h
Minimum suction head at 50 °C $m$	3 m
Minimum suction head at 95 °C $m$	10 m
Minimum suction head at 110 °C	16 m
Min. fluid temperature $T_{min}$	-20 °C
Max. fluid temperature $T_{max}$	110 °C
Min. ambient temperature $T_{min}$	-20 °C
Max. ambient temperature $T_{max}$	40 °C

### Motor data

Energy efficiency index (EEI)	0.23
Mains connection	1~230 V ±10%, 50/60 Hz
Min current $I_{min}$	0.08 A
Max current $I_{max}$	1 A
Rated power $P_2$	90 W
Min. speed $n_{min}$	1000 1/min
Max. speed $n_{max}$	3700 1/min
Power consumption $P_{1 min}$	5 W
Power consumption $P_{1 max}$	120 W
Interference emission	EN 61800-3;2004+A1;2012 /residential area (C1)
Interference immunity	EN 61800-3;2004+A1;2012 /industrial environment (C2)
Threaded cable connection	2 x M20x1.5
Insulation class	F
Protection class	IPX4D

### Materials

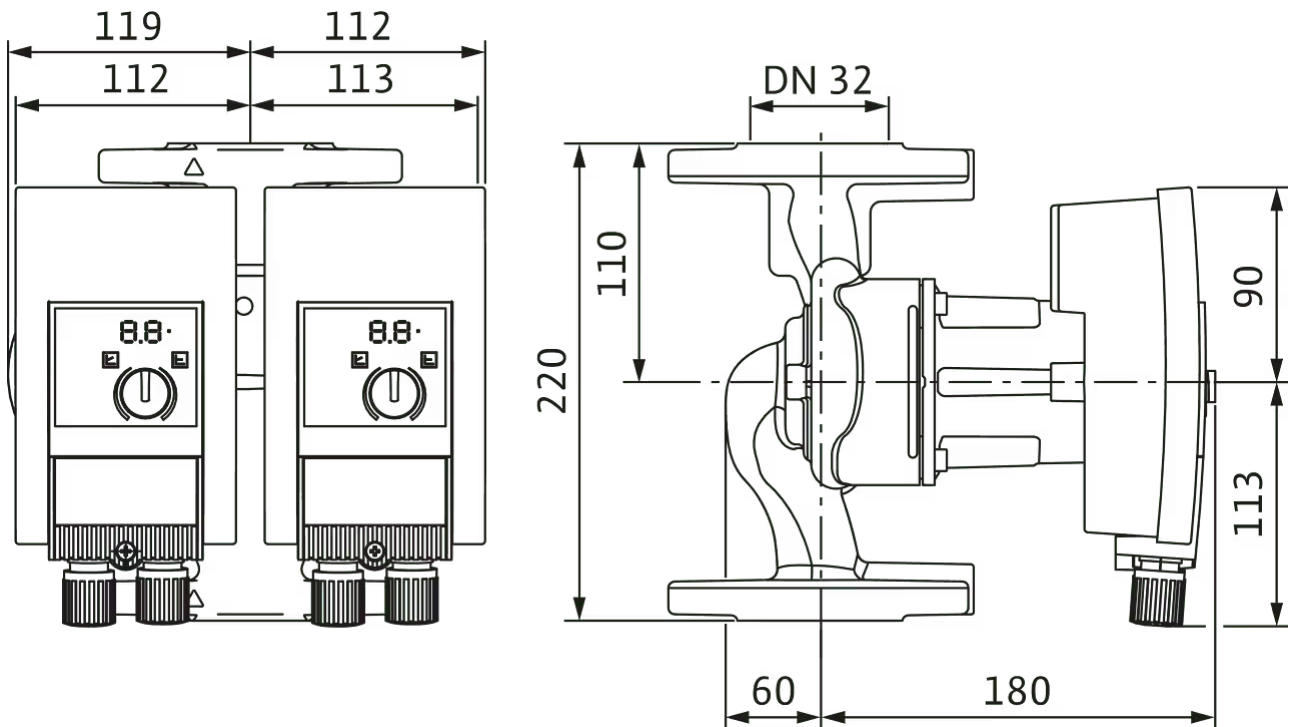
Pump housing	Grey cast iron
Impeller	PPE/PS-GF30
Shaft	Stainless steel
Bearing	Carbon, metal-impregnated

Installation dimensions

Pipe connection on the discharge side <i>DNd</i>	DN 32
Pipe connection on the suction side <i>DNs</i>	DN 32
Port-to-port length <i>L0</i>	220 mm

Dimensions and dimensions drawings

Yonos MAXO-D





## Data sheet

### Hydraulic data

Maximum operating pressure $P_N$	10 bar
Head max $H_{max}$	0.0 m
Flow max $Q_{max}$	12.5 m <sup>3</sup> /h
Minimum suction head at 50 °C $m$	3 m
Minimum suction head at 95 °C $m$	10 m
Minimum suction head at 110 °C	16 m
Min. fluid temperature $T_{min}$	-20 °C
Max. fluid temperature $T_{max}$	110 °C
Min. ambient temperature $T_{min}$	-20 °C
Max. ambient temperature $T_{max}$	40 °C

### Motor data

Energy efficiency index (EEI)	0.23
Mains connection	1~230 V ±10%, 50/60 Hz
Min current $I_{min}$	0.15 A
Max current $I_{max}$	1.33 A
Rated power $P_2$	200 W
Min. speed $n_{min}$	1000 1/min
Max. speed $n_{max}$	4800 1/min
Power consumption $P_{1 min}$	10 W
Power consumption $P_{1 max}$	305 W
Interference emission	EN 61800-3;2004+A1;2012 /residential area (C1)
Interference immunity	EN 61800-3;2004+A1;2012 /industrial environment (C2)
Threaded cable connection	2 x M20x1.5
Insulation class	F
Protection class	IPX4D

### Materials

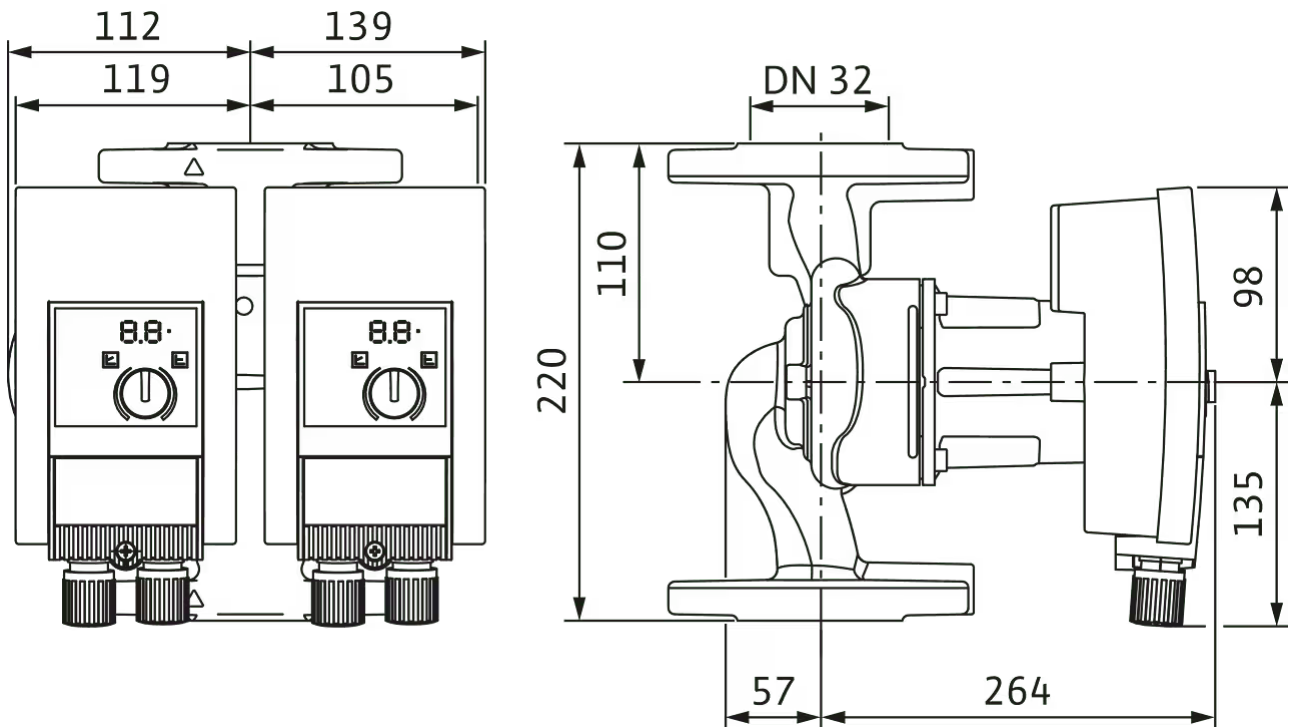
Pump housing	Grey cast iron
Impeller	PPS-GF40
Shaft	Stainless steel
Bearing	Carbon, metal-impregnated

Installation dimensions

Pipe connection on the discharge side <i>DNd</i>	DN 32
Pipe connection on the suction side <i>DNs</i>	DN 32
Port-to-port length <i>L0</i>	220 mm

Dimensions and dimensions drawings

Yonos MAXO-D 32-0,5/11







## Data sheet

### Hydraulic data

Maximum operating pressure $P_N$	10 bar
Head max $H_{max}$	0.0 m
Flow max $Q_{max}$	13.3 m <sup>3</sup> /h
Minimum suction head at 50 °C $m$	3 m
Minimum suction head at 95 °C $m$	10 m
Minimum suction head at 110 °C	16 m
Min. fluid temperature $T_{min}$	-20 °C
Max. fluid temperature $T_{max}$	110 °C
Min. ambient temperature $T_{min}$	-20 °C
Max. ambient temperature $T_{max}$	40 °C

### Motor data

Energy efficiency index (EEI)	0.23
Mains connection	1~230 V $\pm$ 10%, 50/60 Hz
Min current $I_{min}$	0.15 A
Max current $I_{max}$	1.33 A
Rated power $P_2$	200 W
Min. speed $n_{min}$	1200 1/min
Max. speed $n_{max}$	4800 1/min
Power consumption $P_{1 min}$	10 W
Power consumption $P_{1 max}$	305 W
Interference emission	EN 61800-3;2004+A1;2012 /residential area (C1)
Interference immunity	EN 61800-3;2004+A1;2012 /industrial environment (C2)
Threaded cable connection	2 x M20x1.5
Insulation class	F
Protection class	IPX4D

### Materials

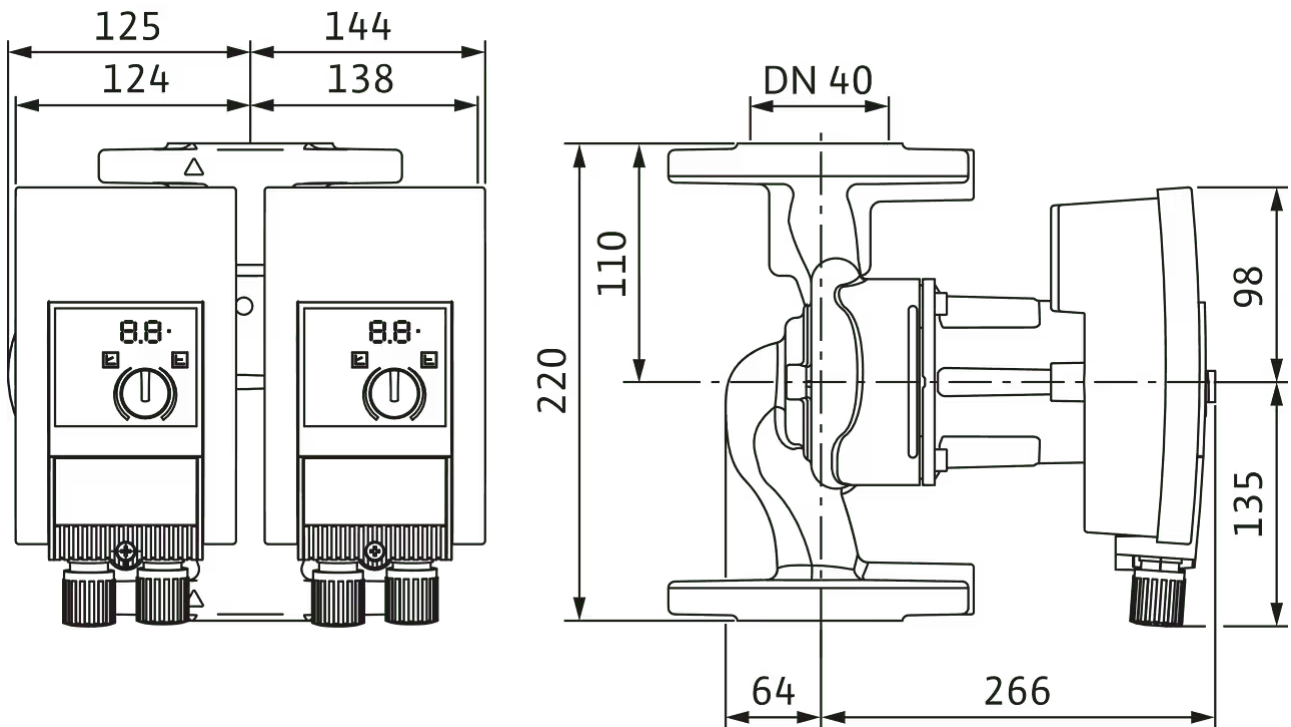
Pump housing	Grey cast iron
Impeller	PPS-GF40
Shaft	Stainless steel
Bearing	Carbon, metal-impregnated

Installation dimensions

Pipe connection on the discharge side <i>DNd</i>	DN 40
Pipe connection on the suction side <i>DNs</i>	DN 40
Port-to-port length <i>L0</i>	220 mm

Dimensions and dimensions drawings

Yonos MAXO-D 40-0,5/8





## Data sheet

### Hydraulic data

Maximum operating pressure $P_N$	10 bar
Head max $H_{max}$	0.0 m
Flow max $Q_{max}$	18.8 m <sup>3</sup> /h
Minimum suction head at 50 °C $m$	5 m
Minimum suction head at 95 °C $m$	12 m
Minimum suction head at 110 °C	18 m
Min. fluid temperature $T_{min}$	-20 °C
Max. fluid temperature $T_{max}$	110 °C
Min. ambient temperature $T_{min}$	-20 °C
Max. ambient temperature $T_{max}$	40 °C

### Motor data

Energy efficiency index (EEI)	0.23
Mains connection	1~230 V $\pm$ 10%, 50/60 Hz
Min current $I_{min}$	0.17 A
Max current $I_{max}$	2.4 A
Rated power $P_2$	450 W
Min. speed $n_{min}$	950 1/min
Max. speed $n_{max}$	4600 1/min
Power consumption $P_{1 min}$	15 W
Power consumption $P_{1 max}$	550 W
Interference emission	EN 61800-3;2004+A1;2012 /residential area (C1)
Interference immunity	EN 61800-3;2004+A1;2012 /industrial environment (C2)
Threaded cable connection	2 x M20x1.5
Insulation class	F
Protection class	IPX4D

### Materials

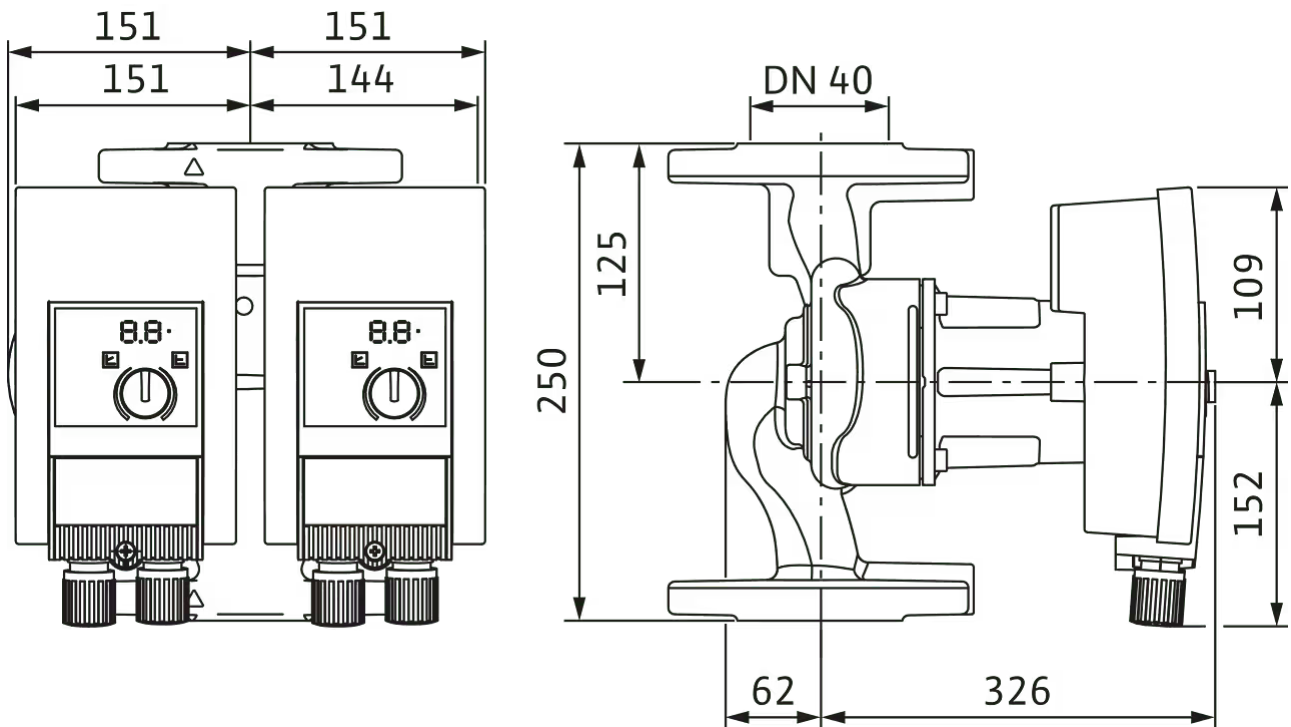
Pump housing	Grey cast iron
Impeller	PPS-GF40
Shaft	Stainless steel
Bearing	Carbon, metal-impregnated

Installation dimensions

Pipe connection on the discharge side <i>DNd</i>	DN 40
Pipe connection on the suction side <i>DNs</i>	DN 40
Port-to-port length <i>L0</i>	250 mm

Dimensions and dimensions drawings

Yonos MAXO-D 40-0,5/12





## Data sheet

### Hydraulic data

Maximum operating pressure $P_N$	10 bar
Head max $H_{max}$	0.0 m
Flow max $Q_{max}$	24.3 m <sup>3</sup> /h
Minimum suction head at 50 °C $m$	7 m
Minimum suction head at 95 °C $m$	15 m
Minimum suction head at 110 °C	23 m
Min. fluid temperature $T_{min}$	-20 °C
Max. fluid temperature $T_{max}$	110 °C
Min. ambient temperature $T_{min}$	-20 °C
Max. ambient temperature $T_{max}$	40 °C

### Motor data

Energy efficiency index (EEI)	0.23
Mains connection	1~230 V $\pm$ 10%, 50/60 Hz
Min current $I_{min}$	0.27 A
Max current $I_{max}$	3.5 A
Rated power $P_2$	650 W
Min. speed $n_{min}$	800 1/min
Max. speed $n_{max}$	3500 1/min
Power consumption $P_{1 min}$	30 W
Power consumption $P_{1 max}$	800 W
Interference emission	EN 61800-3;2004+A1;2012 /residential area (C1)
Interference immunity	EN 61800-3;2004+A1;2012 /industrial environment (C2)
Threaded cable connection	2 x M20x1.5
Insulation class	F
Protection class	IPX4D

### Materials

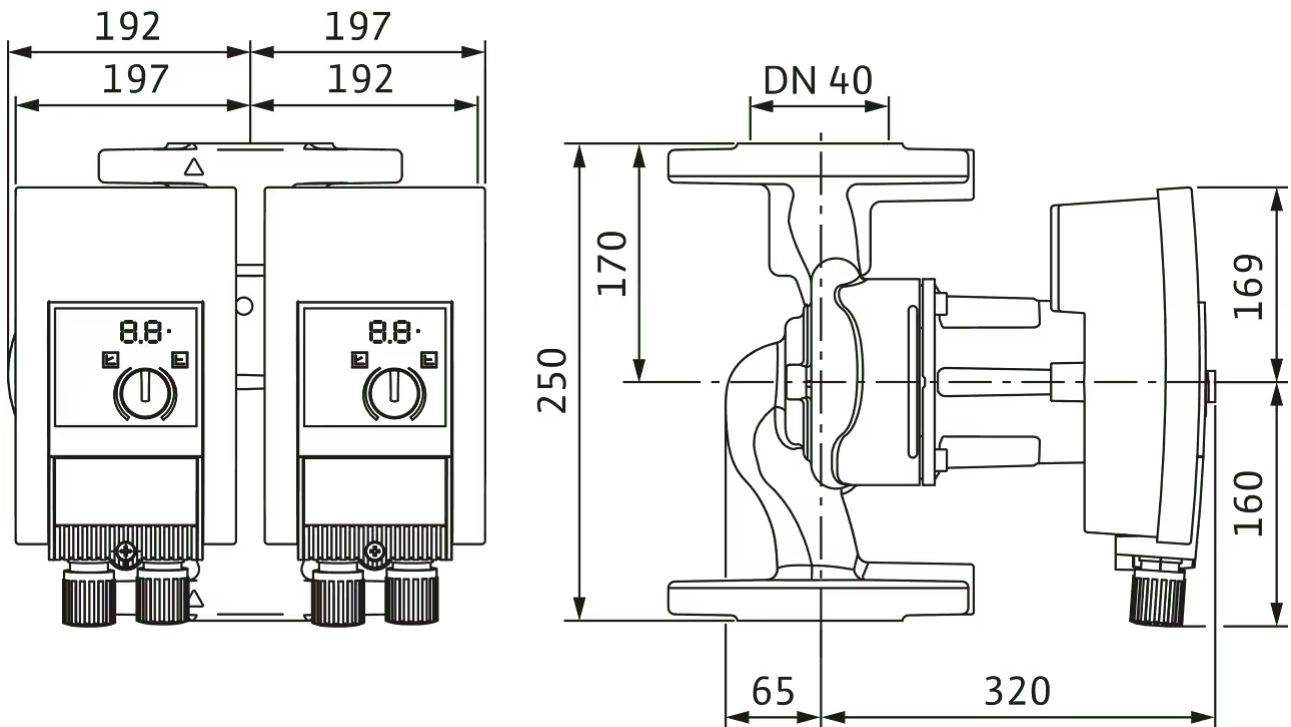
Pump housing	Grey cast iron
Impeller	PPE/PS-GF30
Shaft	Stainless steel
Bearing	Carbon, metal-impregnated

Installation dimensions

Pipe connection on the discharge side <i>DNd</i>	DN 40
Pipe connection on the suction side <i>DNs</i>	DN 40
Port-to-port length <i>L0</i>	250 mm

Dimensions and dimensions drawings

Yonos MAXO-D 40-0,5/16





## Data sheet

### Hydraulic data

Maximum operating pressure $P_N$	10 bar
Head max $H_{max}$	0.0 m
Flow max $Q_{max}$	20.5 m <sup>3</sup> /h
Minimum suction head at 50 °C $m$	5 m
Minimum suction head at 95 °C $m$	12 m
Minimum suction head at 110 °C	18 m
Min. fluid temperature $T_{min}$	-20 °C
Max. fluid temperature $T_{max}$	110 °C
Min. ambient temperature $T_{min}$	-20 °C
Max. ambient temperature $T_{max}$	40 °C

### Motor data

Energy efficiency index (EEI)	0.23
Mains connection	1~230 V $\pm$ 10%, 50/60 Hz
Min current $I_{min}$	0.17 A
Max current $I_{max}$	2.15 A
Rated power $P_2$	400 W
Min. speed $n_{min}$	950 1/min
Max. speed $n_{max}$	4100 1/min
Power consumption $P_{1 min}$	15 W
Power consumption $P_{1 max}$	490 W
Interference emission	EN 61800-3;2004+A1;2012 /residential area (C1)
Interference immunity	EN 61800-3;2004+A1;2012 /industrial environment (C2)
Threaded cable connection	2 x M20x1.5
Insulation class	F
Protection class	IPX4D

### Materials

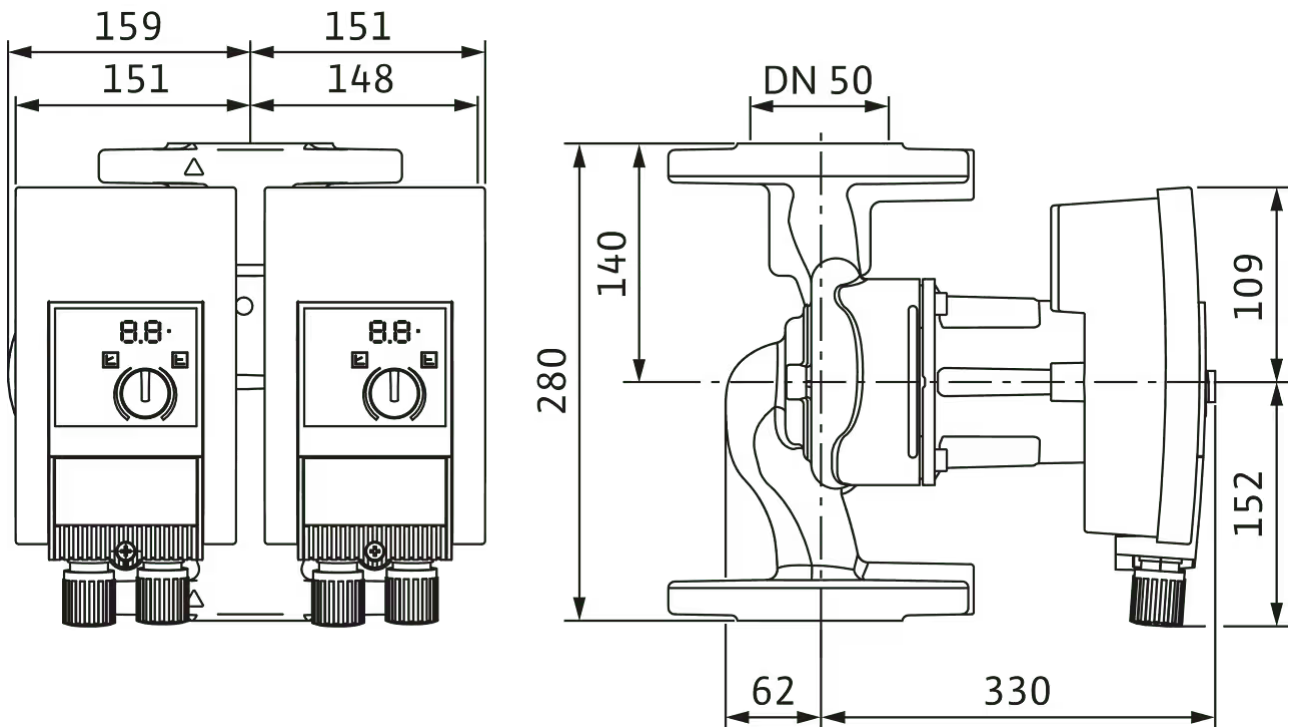
Pump housing	Grey cast iron
Impeller	PPS-GF40
Shaft	Stainless steel
Bearing	Carbon, metal-impregnated

Installation dimensions

Pipe connection on the discharge side <i>DNd</i>	DN 50
Pipe connection on the suction side <i>DNs</i>	DN 50
Port-to-port length <i>L0</i>	280 mm

Dimensions and dimensions drawings

Yonos MAXO-D 50-0,5/9







## Data sheet

### Hydraulic data

Maximum operating pressure $P_N$	10 bar
Head max $H_{max}$	0.0 m
Flow max $Q_{max}$	22.0 m <sup>3</sup> /h
Minimum suction head at 50 °C $m$	5 m
Minimum suction head at 95 °C $m$	12 m
Minimum suction head at 110 °C	18 m
Min. fluid temperature $T_{min}$	-20 °C
Max. fluid temperature $T_{max}$	110 °C
Min. ambient temperature $T_{min}$	-20 °C
Max. ambient temperature $T_{max}$	40 °C

### Motor data

Energy efficiency index (EEI)	0.23
Mains connection	1~230 V $\pm$ 10%, 50/60 Hz
Min current $I_{min}$	0.17 A
Max current $I_{max}$	2.65 A
Rated power $P_2$	500 W
Min. speed $n_{min}$	950 1/min
Max. speed $n_{max}$	4600 1/min
Power consumption $P_{1 min}$	15 W
Power consumption $P_{1 max}$	600 W
Interference emission	EN 61800-3;2004+A1;2012 /residential area (C1)
Interference immunity	EN 61800-3;2004+A1;2012 /industrial environment (C2)
Threaded cable connection	2 x M20x1.5
Insulation class	F
Protection class	IPX4D

### Materials

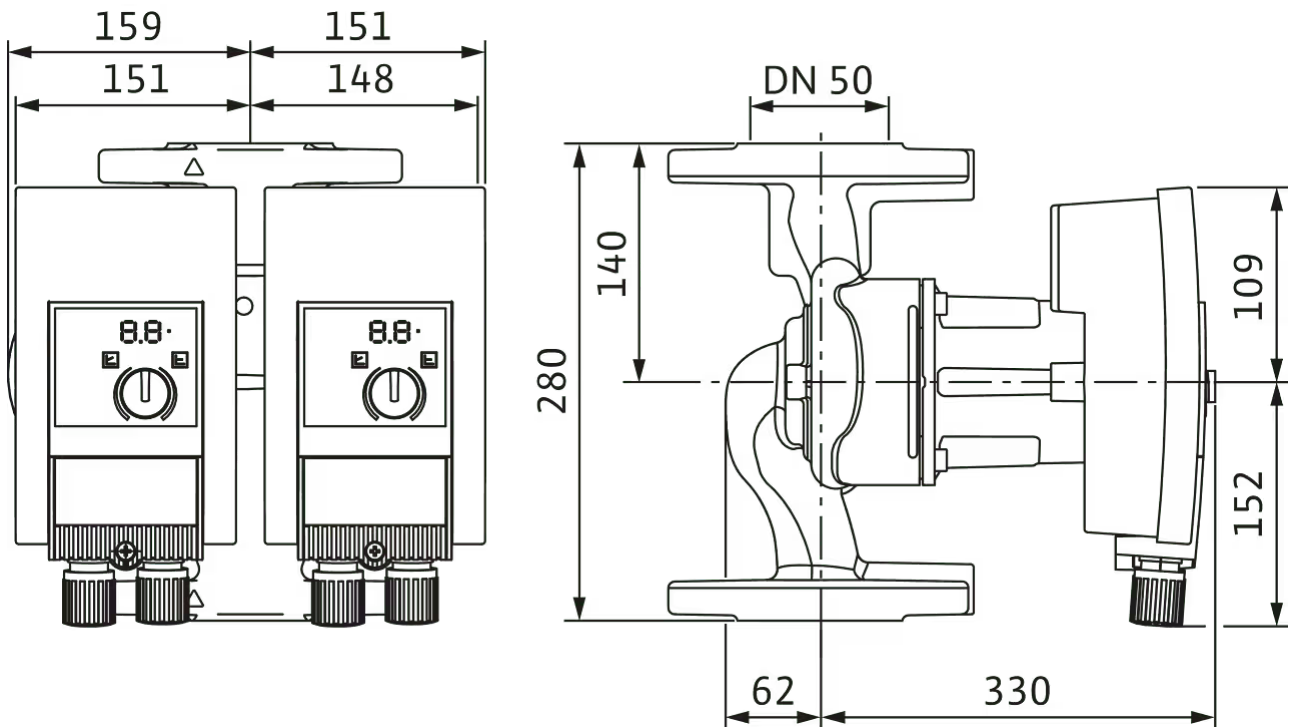
Pump housing	Grey cast iron
Impeller	PPS-GF40
Shaft	Stainless steel
Bearing	Carbon, metal-impregnated

Installation dimensions

Pipe connection on the discharge side <i>DNd</i>	DN 50
Pipe connection on the suction side <i>DNs</i>	DN 50
Port-to-port length <i>L0</i>	280 mm

Dimensions and dimensions drawings

Yonos MAXO-D 50-0,5/12





## Data sheet

### Hydraulic data

Maximum operating pressure $P_N$	10 bar
Head max $H_{max}$	0.0 m
Flow max $Q_{max}$	36.1 m <sup>3</sup> /h
Minimum suction head at 50 °C $m$	7 m
Minimum suction head at 95 °C $m$	15 m
Minimum suction head at 110 °C	23 m
Min. fluid temperature $T_{min}$	-20 °C
Max. fluid temperature $T_{max}$	110 °C
Min. ambient temperature $T_{min}$	-20 °C
Max. ambient temperature $T_{max}$	40 °C

### Motor data

Energy efficiency index (EEI)	0.23
Mains connection	1~230 V $\pm$ 10%, 50/60 Hz
Min current $I_{min}$	0.3 A
Max current $I_{max}$	5.5 A
Rated power $P_2$	1050 W
Min. speed $n_{min}$	800 1/min
Max. speed $n_{max}$	3300 1/min
Power consumption $P_{1 min}$	40 W
Power consumption $P_{1 max}$	1250 W
Interference emission	EN 61800-3;2004+A1;2012 /residential area (C1)
Interference immunity	EN 61800-3;2004+A1;2012 /industrial environment (C2)
Threaded cable connection	2 x M20x1.5
Insulation class	F
Protection class	IPX4D

### Materials

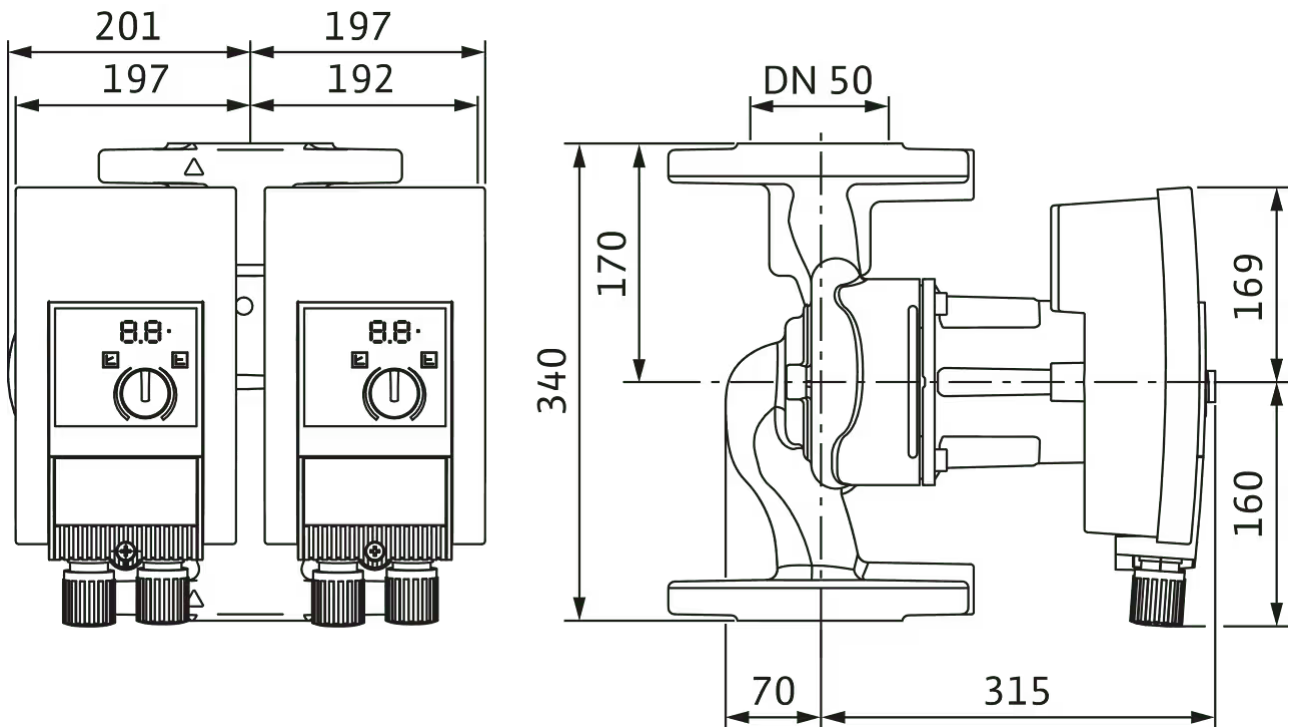
Pump housing	Grey cast iron
Impeller	PPE/PS-GF30
Shaft	Stainless steel
Bearing	Carbon, metal-impregnated

Installation dimensions

Pipe connection on the discharge side <i>DNd</i>	DN 50
Pipe connection on the suction side <i>DNs</i>	DN 50
Port-to-port length <i>L0</i>	340 mm

Dimensions and dimensions drawings

Yonos MAXO-D 50-0,5/16





## Data sheet

### Hydraulic data

Maximum operating pressure $P_N$	10 bar
Head max $H_{max}$	0.0 m
Flow max $Q_{max}$	38.0 m <sup>3</sup> /h
Minimum suction head at 50 °C $m$	7 m
Minimum suction head at 95 °C $m$	15 m
Minimum suction head at 110 °C	23 m
Min. fluid temperature $T_{min}$	-20 °C
Max. fluid temperature $T_{max}$	110 °C
Min. ambient temperature $T_{min}$	-20 °C
Max. ambient temperature $T_{max}$	40 °C

### Motor data

Energy efficiency index (EEI)	0.23
Mains connection	1~230 V ±10%, 50/60 Hz
Min current $I_{min}$	0.3 A
Max current $I_{max}$	3.5 A
Rated power $P_2$	650 W
Min. speed $n_{min}$	800 1/min
Max. speed $n_{max}$	2800 1/min
Power consumption $P_{1 min}$	40 W
Power consumption $P_{1 max}$	800 W
Interference emission	EN 61800-3;2004+A1;2012 /residential area (C1)
Interference immunity	EN 61800-3;2004+A1;2012 /industrial environment (C2)
Threaded cable connection	2 x M20x1.5
Insulation class	F
Protection class	IPX4D

### Materials

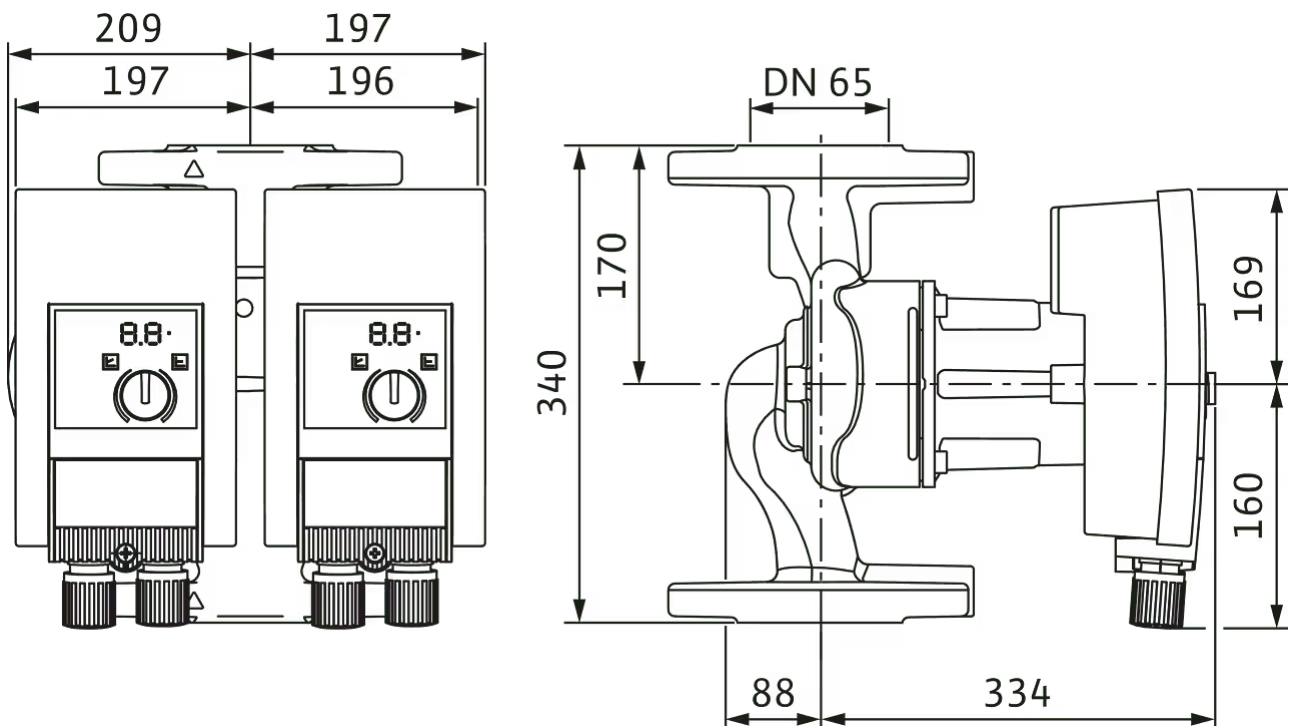
Pump housing	Grey cast iron
Impeller	PPE/PS-GF30
Shaft	Stainless steel
Bearing	Carbon, metal-impregnated

Installation dimensions

Pipe connection on the discharge side <i>DNd</i>	DN 65
Pipe connection on the suction side <i>DNs</i>	DN 65
Port-to-port length <i>L0</i>	340 mm

Dimensions and dimensions drawings

Yonos MAXO-D 65-0,5/12





## Data sheet

### Hydraulic data

Maximum operating pressure $P_N$	10 bar
Head max $H_{max}$	0.0 m
Flow max $Q_{max}$	47.6 m <sup>3</sup> /h
Minimum suction head at 50 °C $m$	7 m
Minimum suction head at 95 °C $m$	15 m
Minimum suction head at 110 °C	23 m
Min. fluid temperature $T_{min}$	-20 °C
Max. fluid temperature $T_{max}$	110 °C
Min. ambient temperature $T_{min}$	-20 °C
Max. ambient temperature $T_{max}$	40 °C

### Motor data

Energy efficiency index (EEI)	0.23
Mains connection	1~230 V ±10%, 50/60 Hz
Min current $I_{min}$	0.3 A
Max current $I_{max}$	6.4 A
Rated power $P_2$	1200 W
Min. speed $n_{min}$	800 1/min
Max. speed $n_{max}$	3400 1/min
Power consumption $P_{1 min}$	40 W
Power consumption $P_{1 max}$	1450 W
Interference emission	EN 61800-3;2004+A1;2012 /residential area (C1)
Interference immunity	EN 61800-3;2004+A1;2012 /industrial environment (C2)
Threaded cable connection	2 x M20x1.5
Insulation class	F
Protection class	IPX4D

### Materials

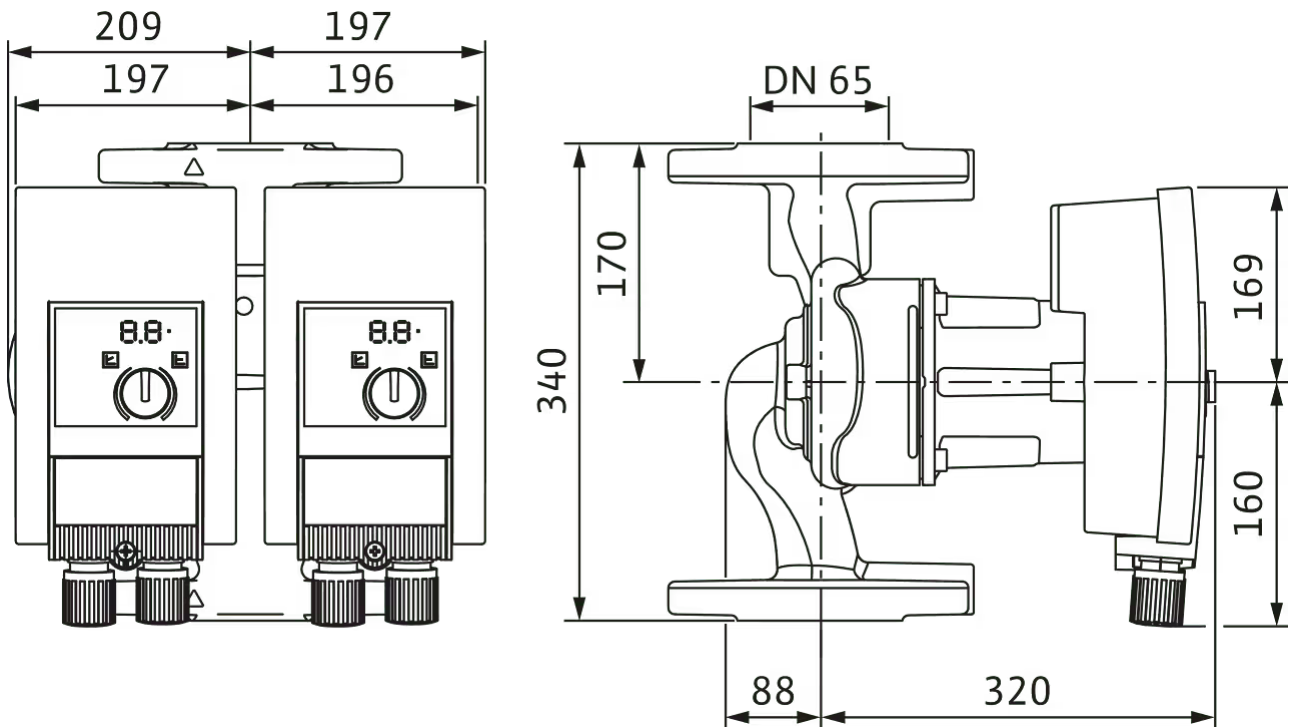
Pump housing	Grey cast iron
Impeller	PP-LGF50
Shaft	Stainless steel
Bearing	Carbon, metal-impregnated

Installation dimensions

Pipe connection on the discharge side <i>DNd</i>	DN 65
Pipe connection on the suction side <i>DNs</i>	DN 65
Port-to-port length <i>L0</i>	340 mm

Dimensions and dimensions drawings

Yonos MAXO-D 65-0,5/16







## Data sheet

### Hydraulic data

Maximum operating pressure $P_N$	6 bar
Head max $H_{max}$	0.0 m
Flow max $Q_{max}$	46.0 m <sup>3</sup> /h
Minimum suction head at 50 °C $m$	7 m
Minimum suction head at 95 °C $m$	15 m
Minimum suction head at 110 °C	23 m
Min. fluid temperature $T_{min}$	-20 °C
Max. fluid temperature $T_{max}$	110 °C
Min. ambient temperature $T_{min}$	-20 °C
Max. ambient temperature $T_{max}$	40 °C

### Motor data

Energy efficiency index (EEI)	0.23
Mains connection	1~230 V $\pm$ 10%, 50/60 Hz
Min current $I_{min}$	0.3 A
Max current $I_{max}$	3.5 A
Rated power $P_2$	650 W
Min. speed $n_{min}$	900 1/min
Max. speed $n_{max}$	2400 1/min
Power consumption $P_{1 min}$	40 W
Power consumption $P_{1 max}$	800 W
Interference emission	EN 61800-3;2004+A1;2012 /residential area (C1)
Interference immunity	EN 61800-3;2004+A1;2012 /industrial environment (C2)
Threaded cable connection	2 x M20x1.5
Insulation class	F
Protection class	IPX4D

### Materials

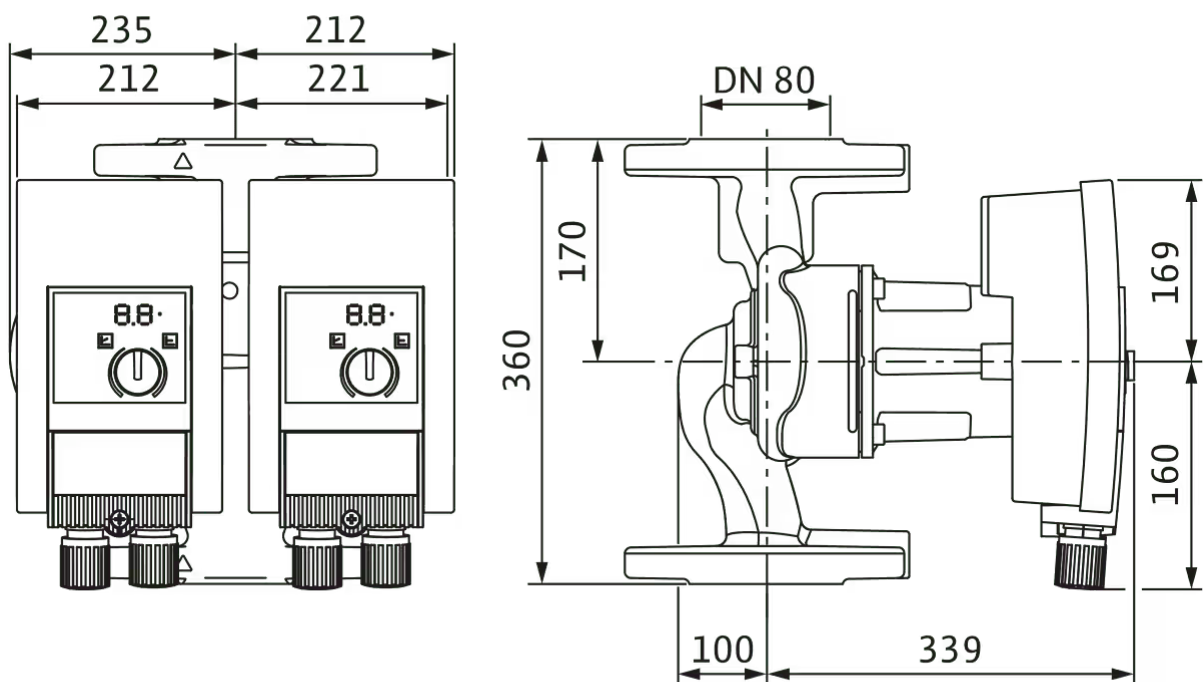
Pump housing	Grey cast iron
Impeller	PP-LGF50
Shaft	Stainless steel
Bearing	Carbon, metal-impregnated

Installation dimensions

Pipe connection on the discharge side <i>DNd</i>	DN 80
Pipe connection on the suction side <i>DNs</i>	DN 80
Port-to-port length <i>L0</i>	360 mm

Dimensions and dimensions drawings

Yonos MAXO-D 80/0,5-6 PN 6





## Data sheet

### Hydraulic data

Maximum operating pressure $P_N$	10 bar
Head max $H_{max}$	0.0 m
Flow max $Q_{max}$	46.0 m <sup>3</sup> /h
Minimum suction head at 50 °C $m$	7 m
Minimum suction head at 95 °C $m$	15 m
Minimum suction head at 110 °C	23 m
Min. fluid temperature $T_{min}$	-20 °C
Max. fluid temperature $T_{max}$	110 °C
Min. ambient temperature $T_{min}$	-20 °C
Max. ambient temperature $T_{max}$	40 °C

### Motor data

Energy efficiency index (EEI)	0.23
Mains connection	1~230 V $\pm$ 10%, 50/60 Hz
Min current $I_{min}$	0.3 A
Max current $I_{max}$	3.5 A
Rated power $P_2$	650 W
Min. speed $n_{min}$	900 1/min
Max. speed $n_{max}$	2400 1/min
Power consumption $P_{1 min}$	40 W
Power consumption $P_{1 max}$	800 W
Interference emission	EN 61800-3;2004+A1;2012 /residential area (C1)
Interference immunity	EN 61800-3;2004+A1;2012 /industrial environment (C2)
Threaded cable connection	2 x M20x1.5
Insulation class	F
Protection class	IPX4D

### Materials

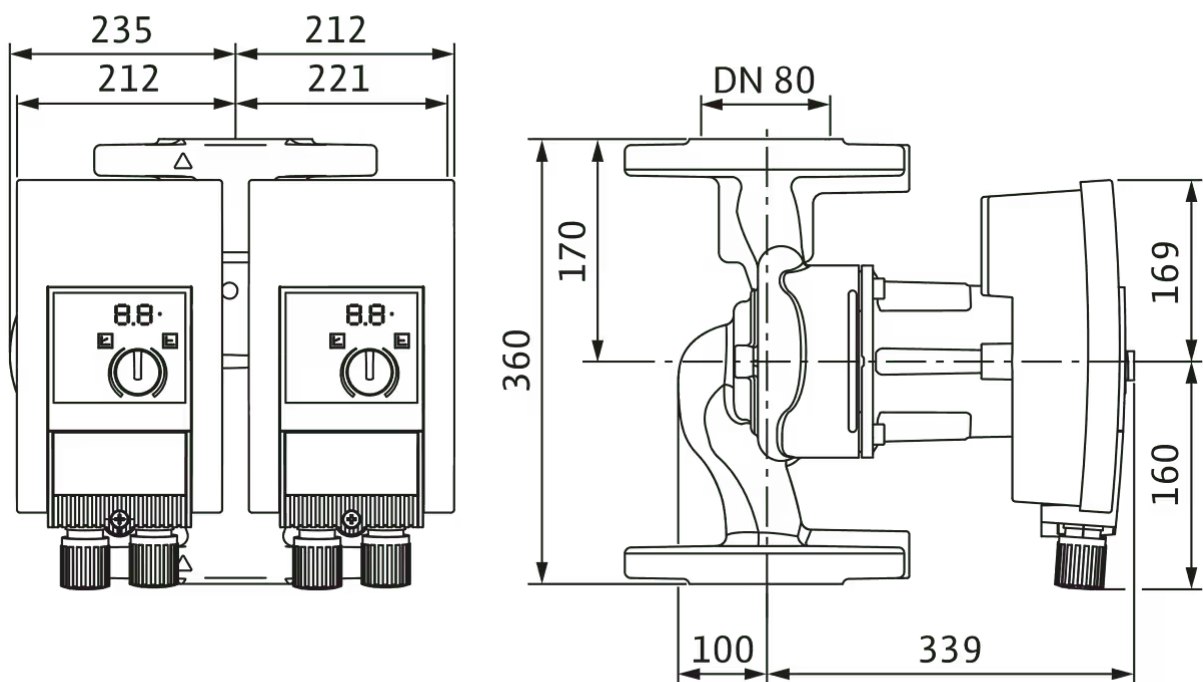
Pump housing	Grey cast iron
Impeller	PP-LGF50
Shaft	Stainless steel
Bearing	Carbon, metal-impregnated

Installation dimensions

Pipe connection on the discharge side <i>DNd</i>	DN 80
Pipe connection on the suction side <i>DNs</i>	DN 80
Port-to-port length <i>L0</i>	360 mm

Dimensions and dimensions drawings

Yonos MAXO-D 80/0,5-6 PN 10





## Data sheet

### Hydraulic data

Maximum operating pressure $P_N$	6 bar
Head max $H_{max}$	0.0 m
Flow max $Q_{max}$	51.8 m <sup>3</sup> /h
Minimum suction head at 50 °C $m$	7 m
Minimum suction head at 95 °C $m$	15 m
Minimum suction head at 110 °C	23 m
Min. fluid temperature $T_{min}$	-20 °C
Max. fluid temperature $T_{max}$	110 °C
Min. ambient temperature $T_{min}$	-20 °C
Max. ambient temperature $T_{max}$	40 °C

### Motor data

Energy efficiency index (EEI)	0.23
Mains connection	1~230 V $\pm$ 10%, 50/60 Hz
Min current $I_{min}$	0.3 A
Max current $I_{max}$	6.8 A
Rated power $P_2$	1300 W
Min. speed $n_{min}$	900 1/min
Max. speed $n_{max}$	3300 1/min
Power consumption $P_{1 min}$	40 W
Power consumption $P_{1 max}$	1550 W
Interference emission	EN 61800-3;2004+A1;2012 /residential area (C1)
Interference immunity	EN 61800-3;2004+A1;2012 /industrial environment (C2)
Threaded cable connection	2 x M20x1.5
Insulation class	F
Protection class	IPX4D

### Materials

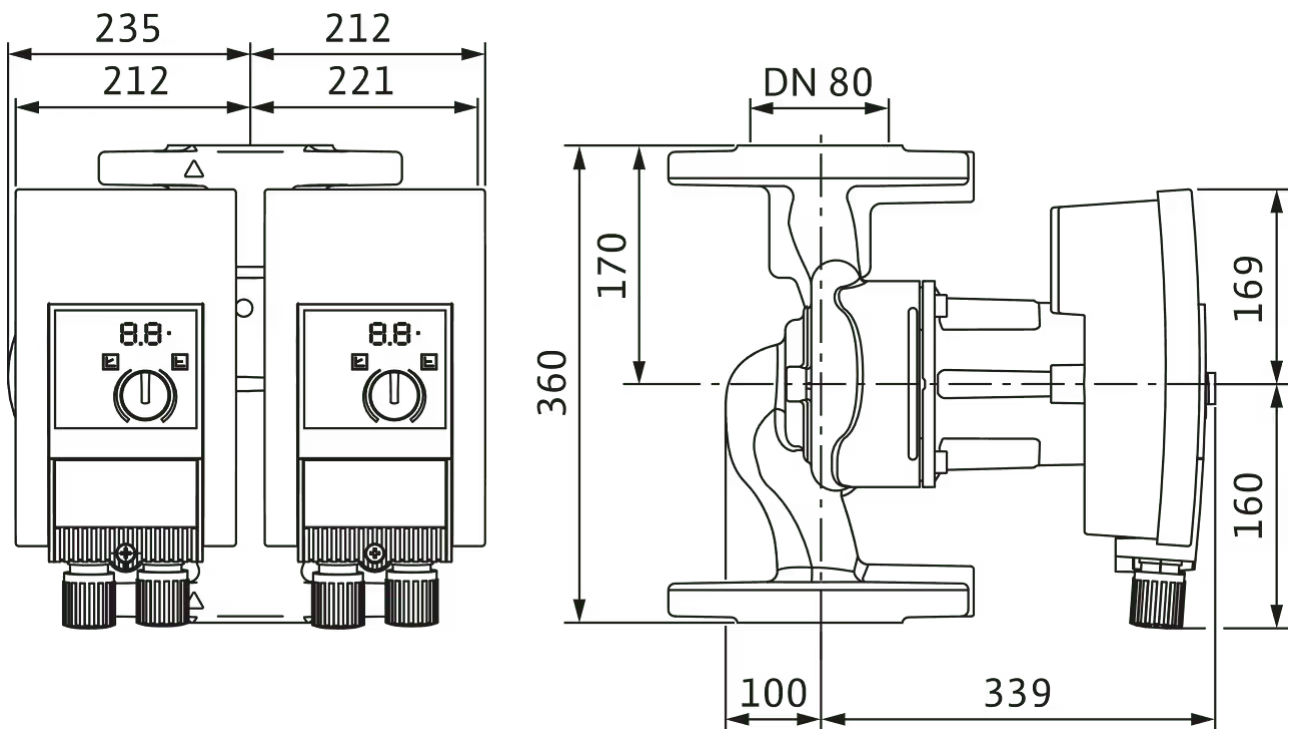
Pump housing	Grey cast iron
Impeller	PP-LGF50
Shaft	Stainless steel
Bearing	Carbon, metal-impregnated

Installation dimensions

Pipe connection on the discharge side <i>DNd</i>	DN 80
Pipe connection on the suction side <i>DNs</i>	DN 80
Port-to-port length <i>L0</i>	360 mm

Dimensions and dimensions drawings

Yonos MAXO-D 80/0,5-12





## Data sheet

### Hydraulic data

Maximum operating pressure $P_N$	10 bar
Head max $H_{max}$	0.0 m
Flow max $Q_{max}$	51.8 m <sup>3</sup> /h
Minimum suction head at 50 °C $m$	7 m
Minimum suction head at 95 °C $m$	15 m
Minimum suction head at 110 °C	23 m
Min. fluid temperature $T_{min}$	-20 °C
Max. fluid temperature $T_{max}$	110 °C
Min. ambient temperature $T_{min}$	-20 °C
Max. ambient temperature $T_{max}$	40 °C

### Motor data

Energy efficiency index (EEI)	0.23
Mains connection	1~230 V ±10%, 50/60 Hz
Min current $I_{min}$	0.3 A
Max current $I_{max}$	6.8 A
Rated power $P_2$	1300 W
Min. speed $n_{min}$	900 1/min
Max. speed $n_{max}$	3300 1/min
Power consumption $P_{1 min}$	40 W
Power consumption $P_{1 max}$	1550 W
Interference emission	EN 61800-3;2004+A1;2012 /residential area (C1)
Interference immunity	EN 61800-3;2004+A1;2012 /industrial environment (C2)
Threaded cable connection	2 x M20x1.5
Insulation class	F
Protection class	IPX4D

### Materials

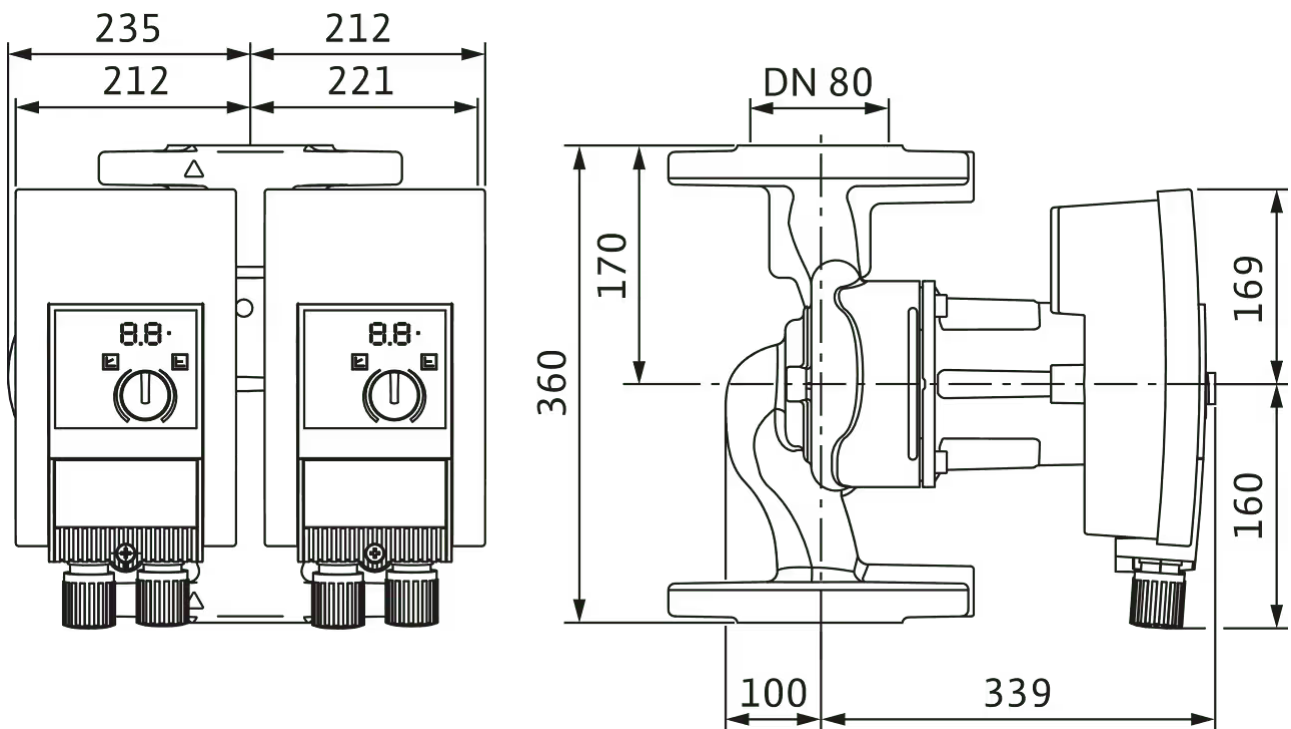
Pump housing	Grey cast iron
Impeller	PP-LGF50
Shaft	Stainless steel
Bearing	Carbon, metal-impregnated

Installation dimensions

Pipe connection on the discharge side <i>DNd</i>	DN 80
Pipe connection on the suction side <i>DNs</i>	DN 80
Port-to-port length <i>L0</i>	360 mm

Dimensions and dimensions drawings

Yonos MAXO-D





Pioneering for You

**wilo**

WILO SE  
Wilopark 1  
44263 Dortmund  
Germany  
T +49 231 4102-0  
F +49 231 4102-7363  
wilo@wilo.com  
www.wilo.com

More contact details at [www.wilo.com](http://www.wilo.com)