

PROJECT:	UNIT TAG:	QUANTITY:
REPRESENTATIVE: _____	TYPE OF SERVICE:	DATE: _____
ENGINEER:	SUBMITTED BY:	DATE:
CONTRACTOR:	APPROVED BY:	DATE:
	ORDER NO.:	DATE:

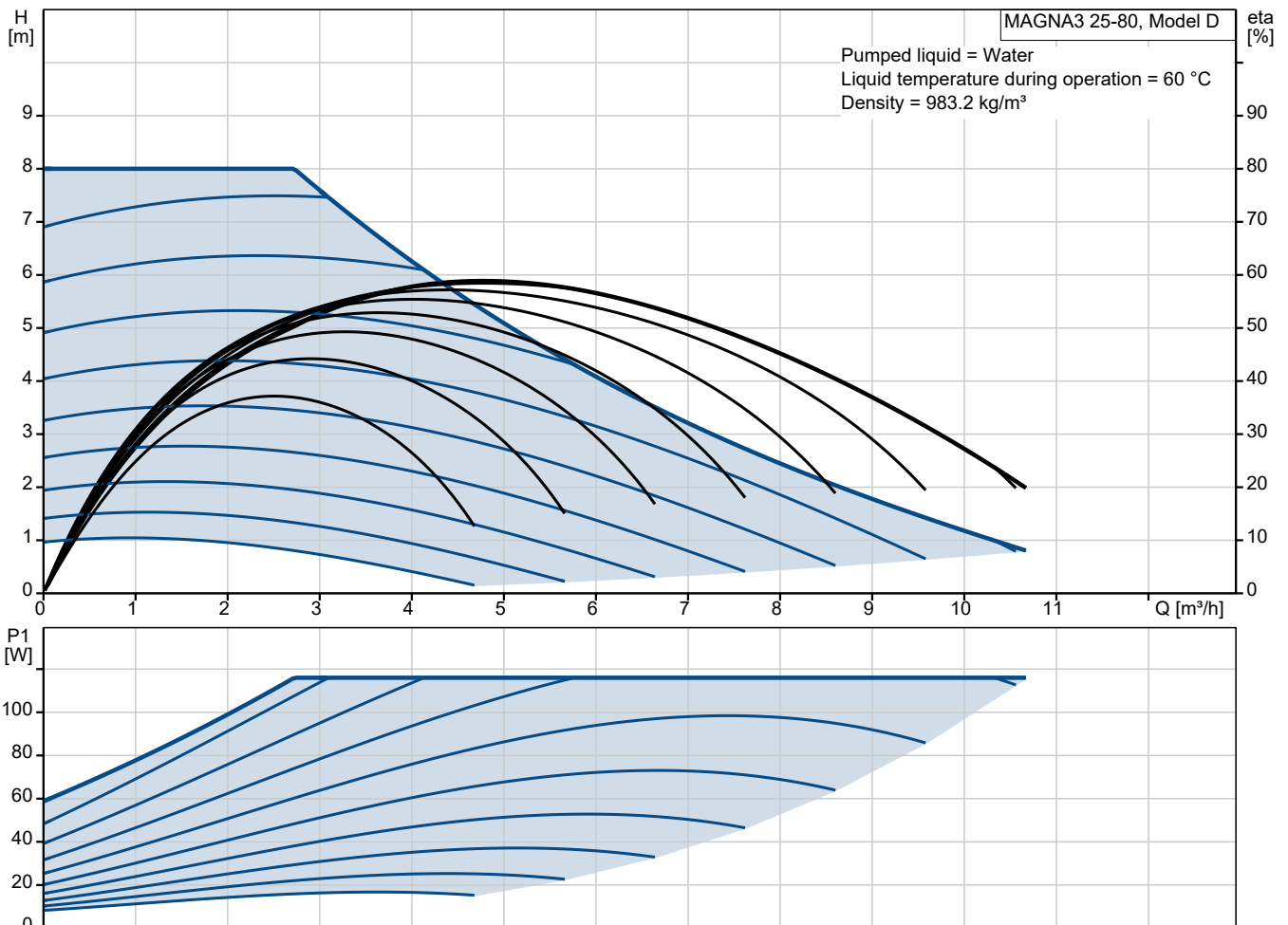


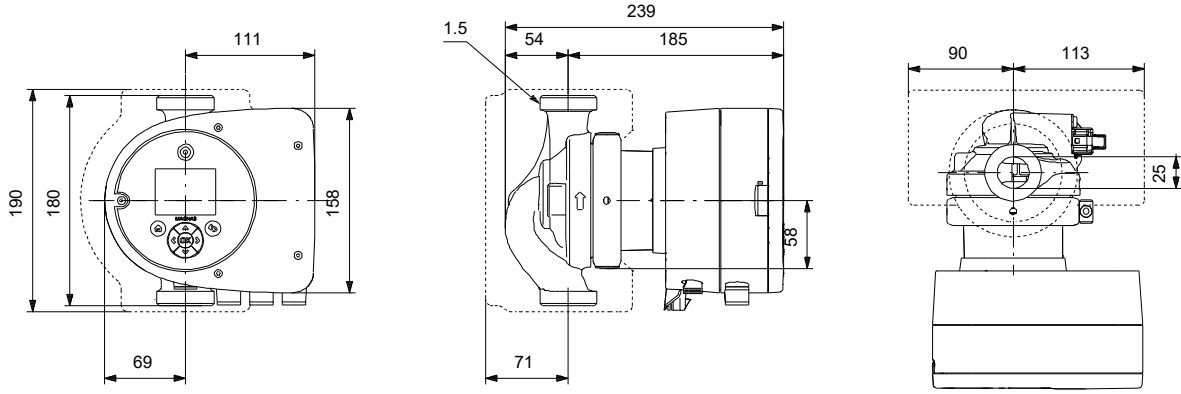
MAGNA3 25-80

The Grundfos MAGNA3 circulator pump is the premium choice when system control and monitoring is key. MAGNA3 supports fieldbus by optional CIM modules and has a TFT display for intuitive configuration of the intelligent features. The MAGNA3 is sure to match your application, whether for heating or cooling.

Note! Product picture may differ from actual product

Conditions of Service		Pump Data		Motor Data	
Liquid:	Water	Maximum operating pressure:	10 bar	P1 max:	9 .. 116 W
Temperature:	60 °C	Liquid temperature range:	-10 .. 110 °C	Mains frequency:	50 / 60 Hz
Specific Gravity:	0.985	Maximum ambient temperature:	40 °C	Enclosure class:	X4D
		Pipe connection:	G 1 1/2"	Insulation class:	F
		Product number:	On request		





Materials:

- Pump housing: Cast iron
- Pump housing: EN-GJL-200
- Pump housing: ASTM A48-200B
- Impeller: PES 30%GF

Qty. Description

1 **MAGNA3 25-80**



Note! Product picture may differ from actual product

Product No.: On request

The Grundfos MAGNA3 circulator pump is the ideal choice for almost any building project – old or new. With its unrivalled energy efficiency, all-encompassing range and built-in communication capabilities, MAGNA3 is ideal for engineers and specifiers looking to create high-performance heating and cooling systems.

The pump is maintenance-free due to the canned-rotor type design. This also means that pump and motor form an integral unit without shaft seal and with only two gaskets for sealing. The bearings are lubricated by the pumped liquid.

MAGNA3 features an intuitive display and allows you to connect wirelessly with the Grundfos GO Remote app, giving you access to advanced reporting and monitoring.

The pump includes fieldbus communication via CIM modules as well as analog and digital inputs and configurable relays.

Control features include AUTOADAPT and FLOWADAPT. FLOWADAPT which reduces the need for throttling valves, thus cutting costs on system components.

MAGNA3 is the superior choice for a wide range of heating and cooling applications, including:

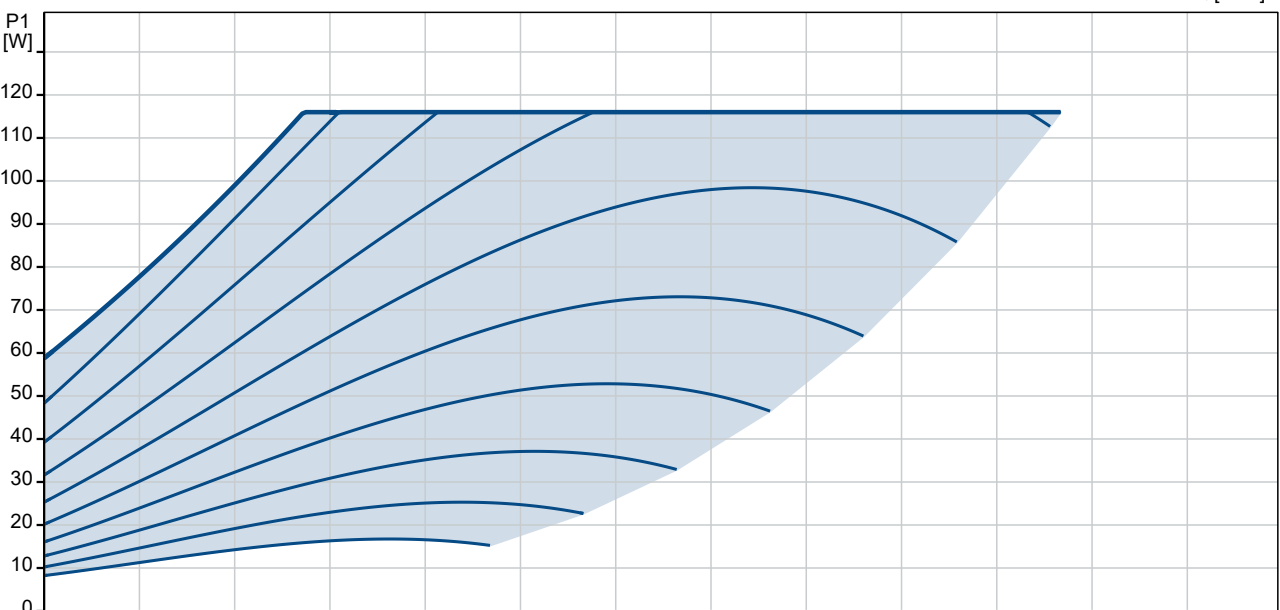
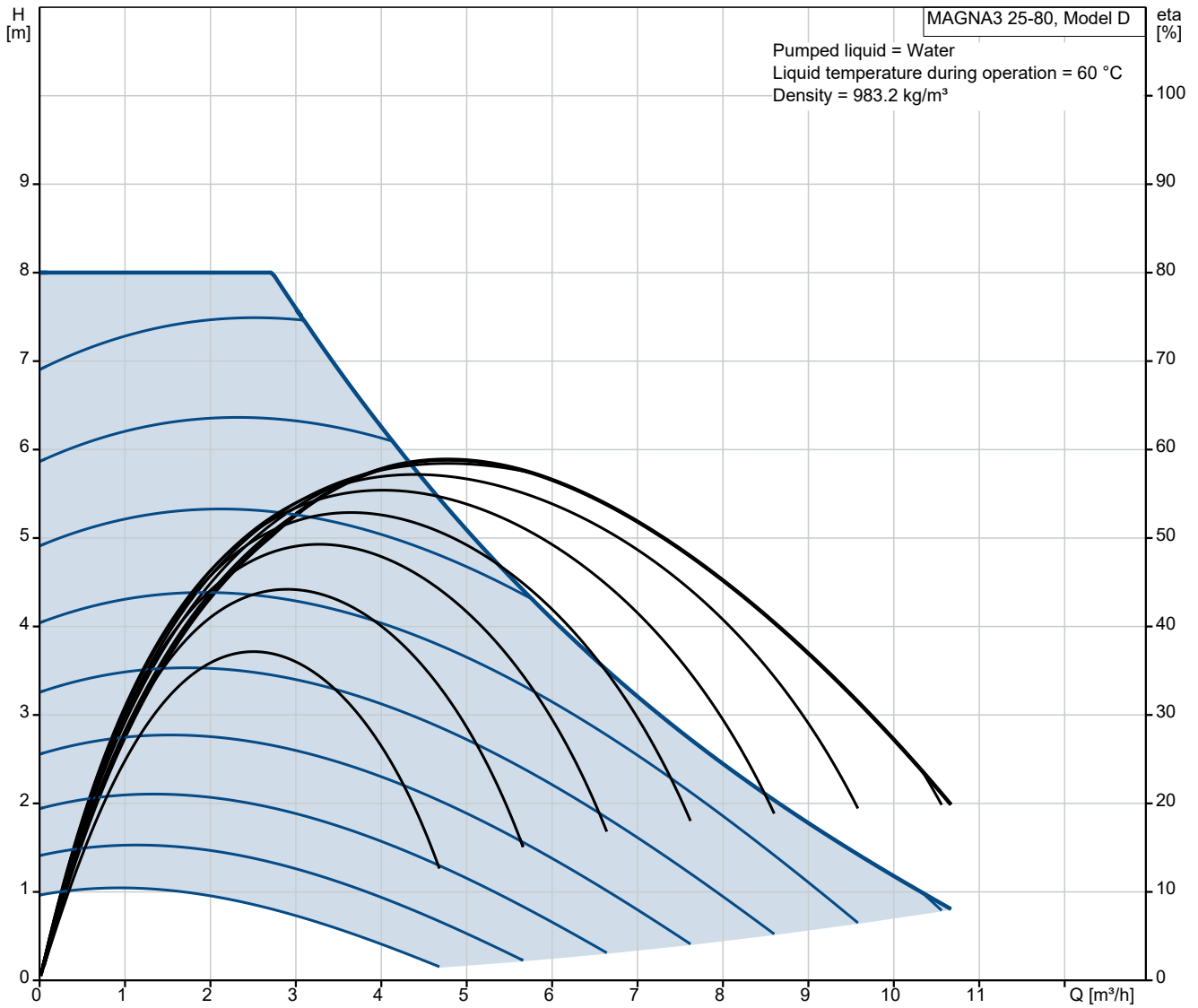
- Mixing loops
- Heating surfaces
- Air conditioning surfaces
- Ground-source heat pump systems
- Smaller chiller applications.

MAGNA3 is a single-phase pump and characterised by having the controller and control display integrated in the control box. The pump also has a built-in differential-pressure and temperature sensor.

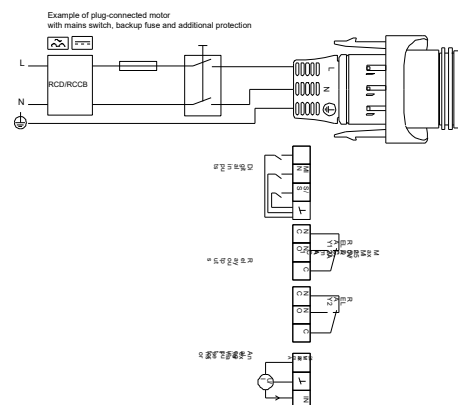
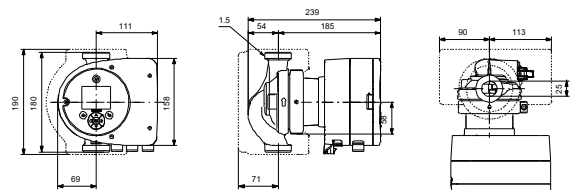
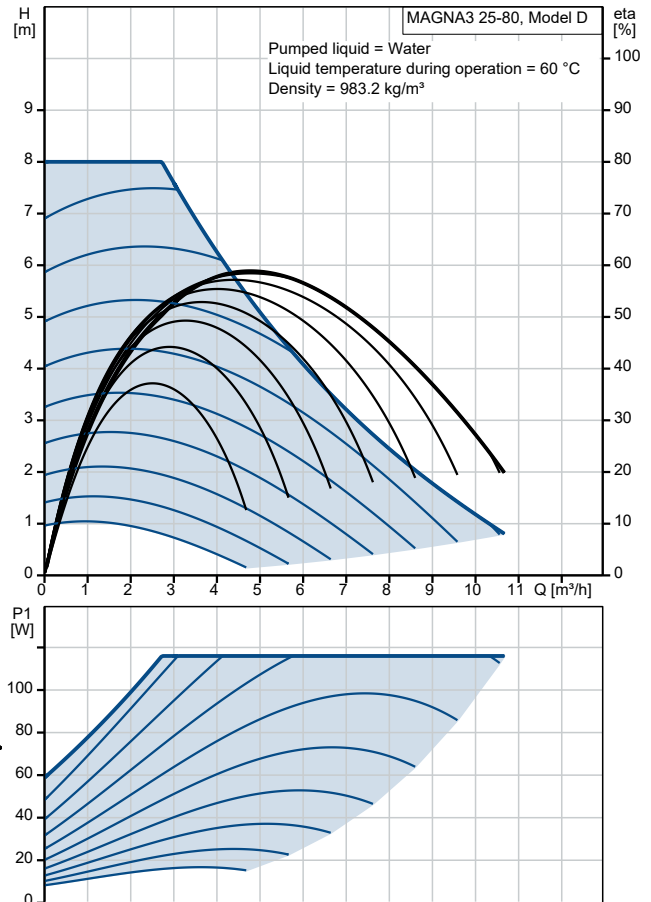
The pump housing is available in both cast-iron and stainless-steel versions. The composite rotor can is carbon-fibre reinforced, the bearing plate and rotor cladding are made of stainless steel and the stator housing is made of aluminium. The power electronics are air-cooled.

MAGNA3 incorporates a 4-pole synchronous, permanent-magnet motor (PM motor). This motor type is characterised by higher efficiency than a conventional asynchronous squirrel-cage motor. The pump speed is controlled by an integrated frequency converter.

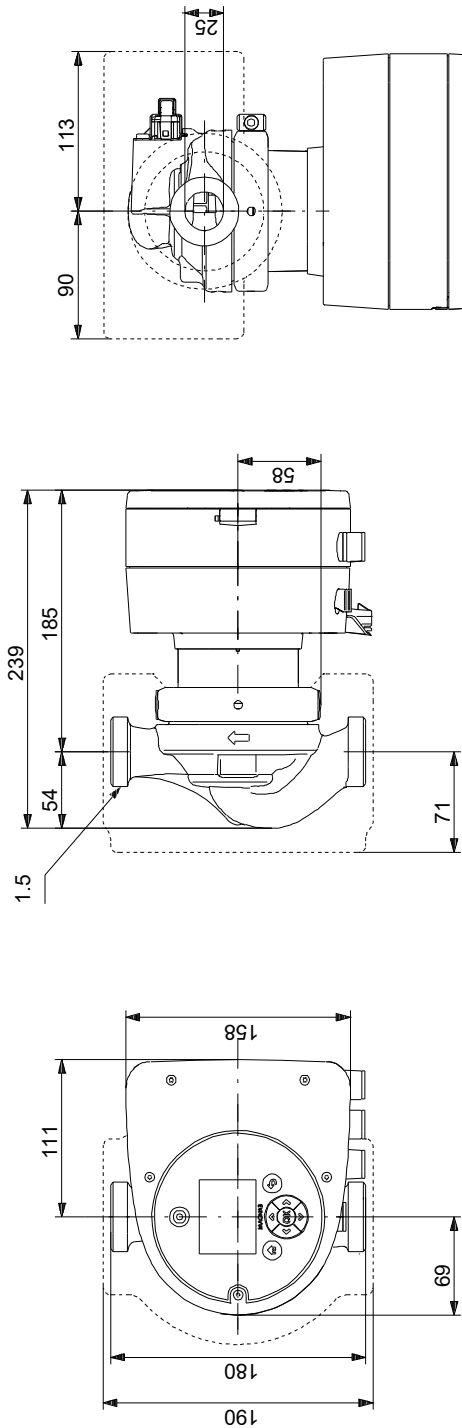
On request MAGNA3 25-80



Description	Value
General information:	
Product name:	MAGNA3 25-80
Product No:	On request
EAN number:	On request
Technical:	
Rated flow:	4.5 m³/h
Rated head:	5.649 m
Head max:	80 dm
TF class:	110
Approvals:	CE, VDE, EAC, MOROCCO, UKCA, TSERCM, UkrSEPRO
Model:	D
Materials:	
Pump housing:	Cast iron
Pump housing:	EN-GJL-200
Pump housing:	ASTM A48-200B
Impeller:	PES 30%GF
Installation:	
Range of ambient temperature:	0 .. 40 °C
Maximum operating pressure:	10 bar
Pipe connection:	G 1 1/2"
Pressure rating:	PN 10
Port-to-port length:	180 mm
Liquid:	
Pumped liquid:	Water
Liquid temperature range:	-10 .. 110 °C
Selected liquid temperature:	60 °C
Density:	983.2 kg/m³
Electrical data:	
Power input - P1:	9 .. 116 W
Mains frequency:	50 / 60 Hz
Rated voltage [V]:	1 x 230 V
Maximum current consumption:	0.09 .. 1.02 A
Enclosure class (IEC 34-5):	X4D
Insulation class (IEC 85):	F
Others:	
Energy (EEI):	0.18
Environmental approvals:	CN ROHS, WEEE
Net weight:	5.11 kg
Gross weight:	5.75 kg
Shipping volume:	0.015 m³
Danish VVS No.:	380790080
Swedish RSK No.:	5732574
Finnish LVI No.:	4615544
Norwegian NRF no.:	9042327
Country of origin:	DE
Custom tariff no.:	84137030

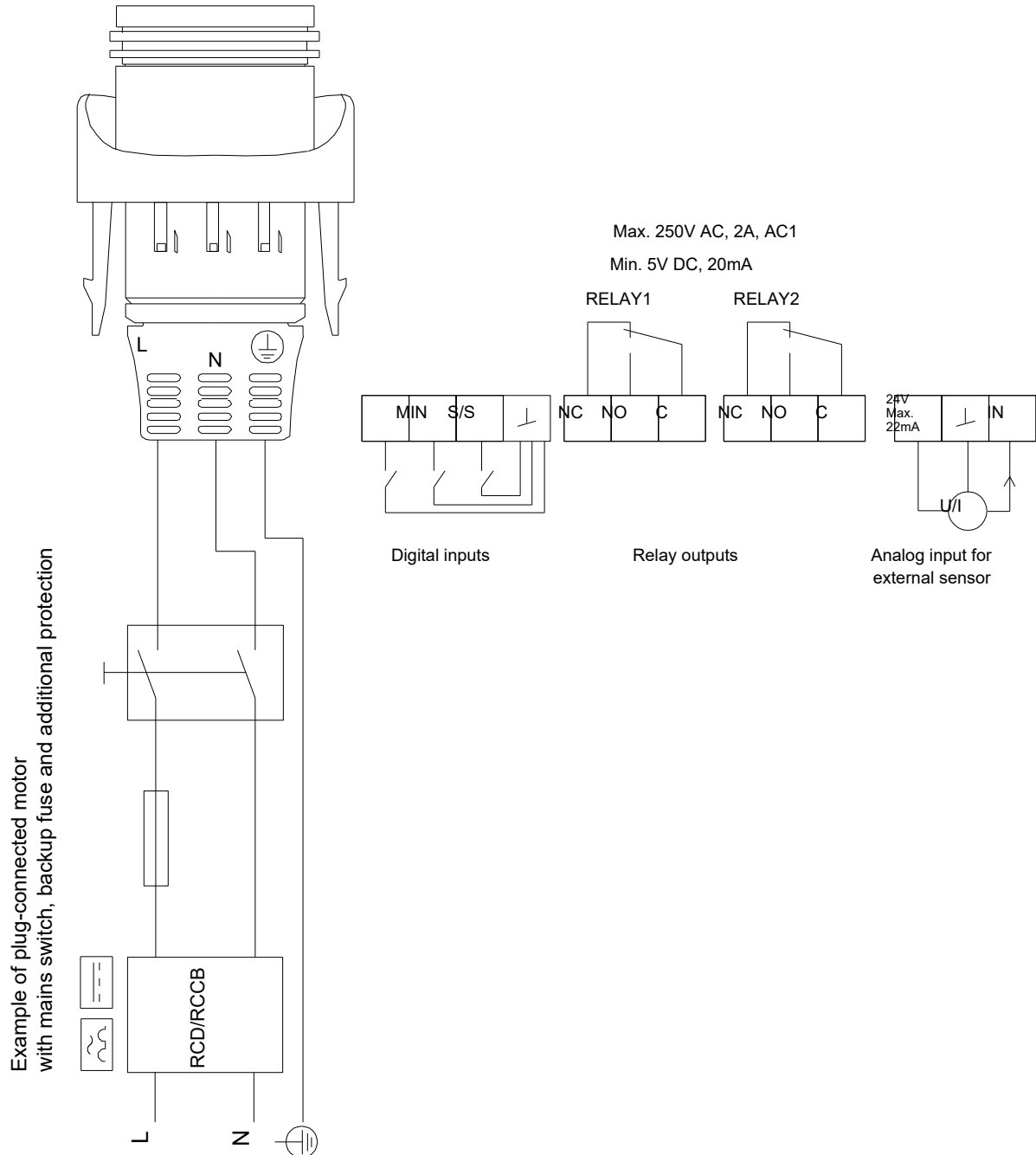


On request MAGNA3 25-80



Note! All units are in [mm] unless others are stated.
Disclaimer: This simplified dimensional drawing does not show all details.

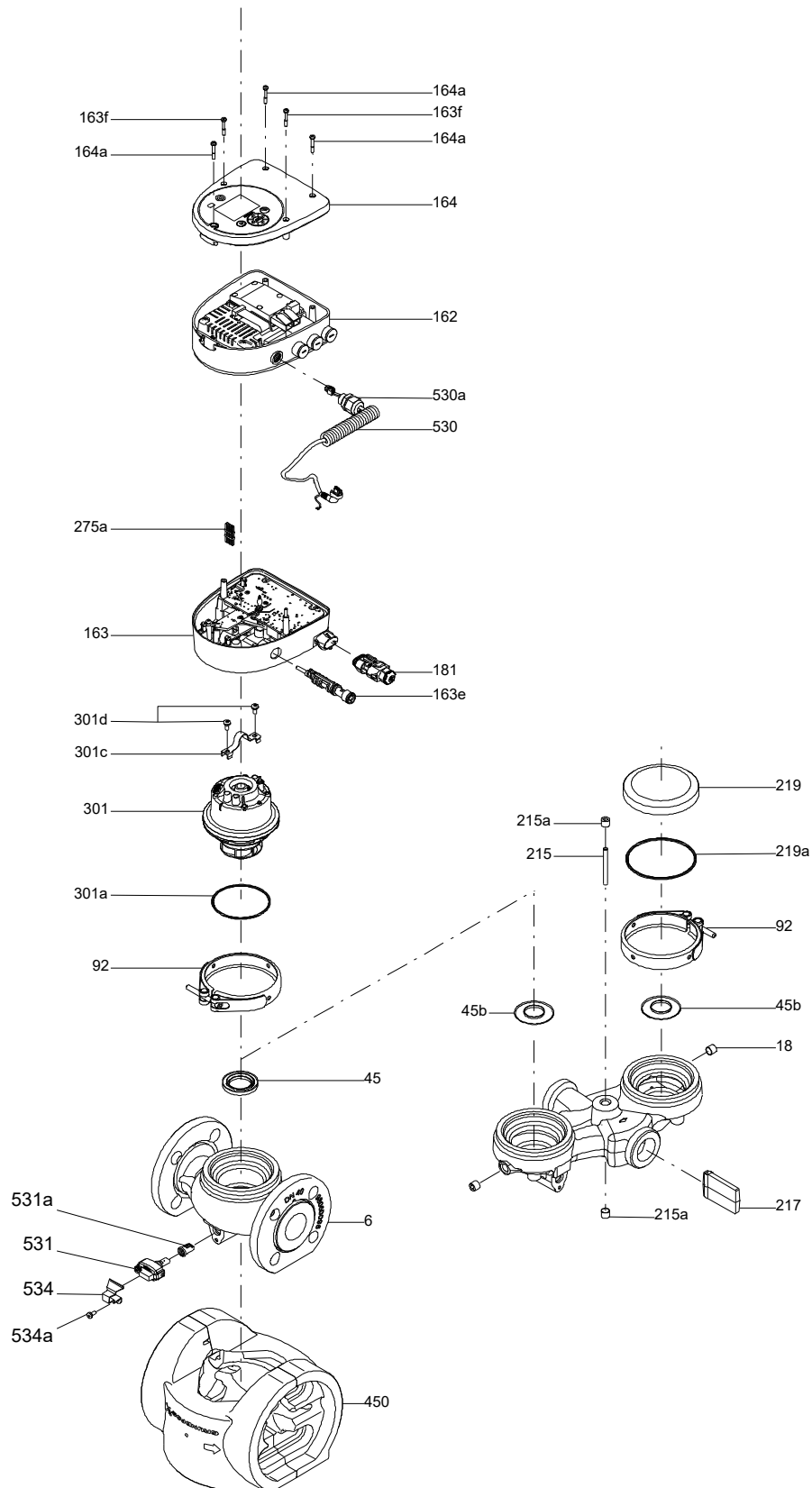
On request MAGNA3 25-80



Example of plug-connected motor with mains switch, backup fuse and additional protection

Note! All units are in [mm] unless others are stated.

(TM058038 Magna3 small)



**Spare parts MAGNA3 25-80, Product No. On request
Produced After 1732 (production year and week number)**

Pos	Description	Annotation	Classification Data	Part no.	Qty.	Unit
-	Kit, Control box configured			99331526	1	pcs
-	Kit,control box non-configured			98148726	1	
-	Control box cpl.					
-	Bottom					
163	Box					
-	Box					
162	Box					
164	Cover cpl.					
530	Cable					
- 531	Sensor					
531a	Sealing cap					
	Conf.				1	
-	Kit, Cover			92537638	1	pcs
164a	Screw DELTA PT				3	
164a	Screw DELTA PT				2	
164	Cover cpl.				1	
-	Kit, Pump head			98419522	1	pcs
92	Clamp cpl.				1	
- 301	Pump head				1	
-	Stator w/housing cpl.					
301	Stator housing					
303	Rotor can cpl.					
- 304	Shaft w/impeller cpl.					
-	Bearing plate cpl.					
301a	O-ring					
-	Kit, Sensor			99313067	1	pcs
530	Cable				1	
- 531	Sensor				1	
531a	Sealing cap					
534a	Pan head thread forming screw				1	
534	Bracket				1	
-	Kit, Sensor			99313072	1	pcs
530	Cable				10	
- 531	Sensor				10	
531a	Sealing cap					
-	Spare, Clamp			98148760	1	pcs
92	Clamp cpl.				1	
-	Spare, O-ring			98357755	1	pcs
301a	O-ring				1	
-	Spare, Plug			98284561	1	pcs
181	Plug				1	
-	Spare, Sealing cap			98613455	1	pcs
531a	Sealing cap				1	
6	Pump housing			99542812	1	pcs
92	Clamp cpl.			98700283	1	pcs
301a	O-ring			92780125	1	pcs
450	Insulation shell			98615808	1	pcs
531a	Sealing cap			98708139	1	pcs