

Project:
Reference Number:

Client:
Client Number:
Contact:

Qty.	Description
1	<p data-bbox="199 436 582 470">TPE3 32-120 S-A-F-A-BQQE-CYB</p> <div data-bbox="271 481 518 795" style="text-align: center;">  </div> <p data-bbox="590 772 1061 806" style="text-align: center;">Note! Product picture may differ from actual product</p> <p data-bbox="199 817 470 851">Product No.: 99272203</p> <p data-bbox="199 873 1436 952">Single-stage, close-coupled, volute pump with in-line suction and discharge ports of identical diameter. The pump is of the top-pull-out design, i.e. the power head (motor, pump head and impeller) can be removed for maintenance or service while the pump housing remains in the pipework.</p> <p data-bbox="199 963 1380 1019">The shaft seal is according to EN 12756. Pipework connection is via PN 6/10 DIN flanges (EN 1092-2 and ISO 7005-2).</p> <p data-bbox="199 1019 1452 1075">The pump is fitted with a fan-cooled, permanent-magnet synchronous motor. The motor efficiency is classified as IE5 in accordance with IEC 60034-30-2.</p> <p data-bbox="199 1075 1444 1153">The motor includes a frequency converter and PI controller in the motor terminal box. This enables continuously variable control of the motor speed, which again enables adaptation of the performance to a given requirement. The pump is fitted with a combined temperature- and differential pressure sensor.</p> <p data-bbox="199 1164 303 1198">Controls:</p> <p data-bbox="199 1198 646 1220">Frequency converter: Built-in</p> <p data-bbox="199 1254 279 1288">Liquid:</p> <p data-bbox="199 1288 638 1310">Pumped liquid: Water</p> <p data-bbox="199 1310 710 1344">Liquid temperature range: -25 .. 120 °C</p> <p data-bbox="199 1344 630 1377">Selected liquid temperature: 20 °C</p> <p data-bbox="199 1377 694 1411">Density: 998.2 kg/m³</p> <p data-bbox="199 1433 319 1467">Technical:</p> <p data-bbox="199 1467 821 1489">Pump speed on which pump data are based: 3600 rpm</p> <p data-bbox="199 1489 678 1523">Rated flow: 10.9 m³/h</p> <p data-bbox="199 1523 630 1556">Rated head: 6.2 m</p> <p data-bbox="199 1556 646 1590">Actual impeller diameter: 62 mm</p> <p data-bbox="199 1590 638 1624">Code for shaft seal: BQQE</p> <p data-bbox="199 1624 774 1657">Curve tolerance: ISO9906:2012 3B2</p> <p data-bbox="199 1680 311 1713">Materials:</p> <p data-bbox="199 1713 734 1803">Pump housing: Cast iron EN-GJL-250 ASTM class 35</p> <p data-bbox="199 1803 726 1870">Impeller: Composite PES+30% GF</p> <p data-bbox="199 1892 327 1926">Installation:</p> <p data-bbox="199 1926 694 1960">Range of ambient temperature: -20 .. 50 °C</p> <p data-bbox="199 1960 638 1993">Maximum operating pressure: 10 bar</p> <p data-bbox="199 1993 734 2027">Max pressure at stated temp: 10 bar / 120 °C</p> <p data-bbox="199 2027 614 2060">Type of connection: DIN</p> <p data-bbox="199 2060 638 2094">Size of connection: DN 32</p> <p data-bbox="199 2094 662 2116">Pressure rating for connection: PN 6/10</p>



Company name: national pumps and boilers
Created by:
Phone: 01539 729395
Email: info@nationlapumpsandboilers.co.uk
Date: 04/01/2024

Project:
Reference Number:

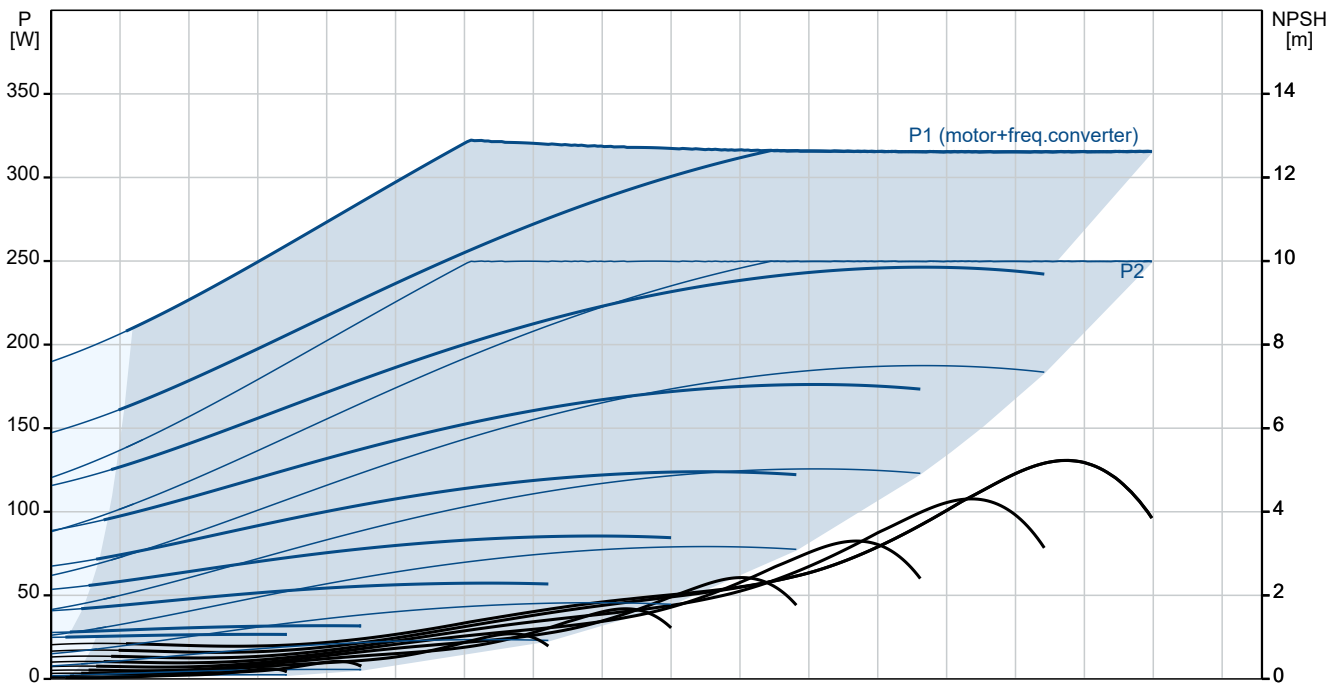
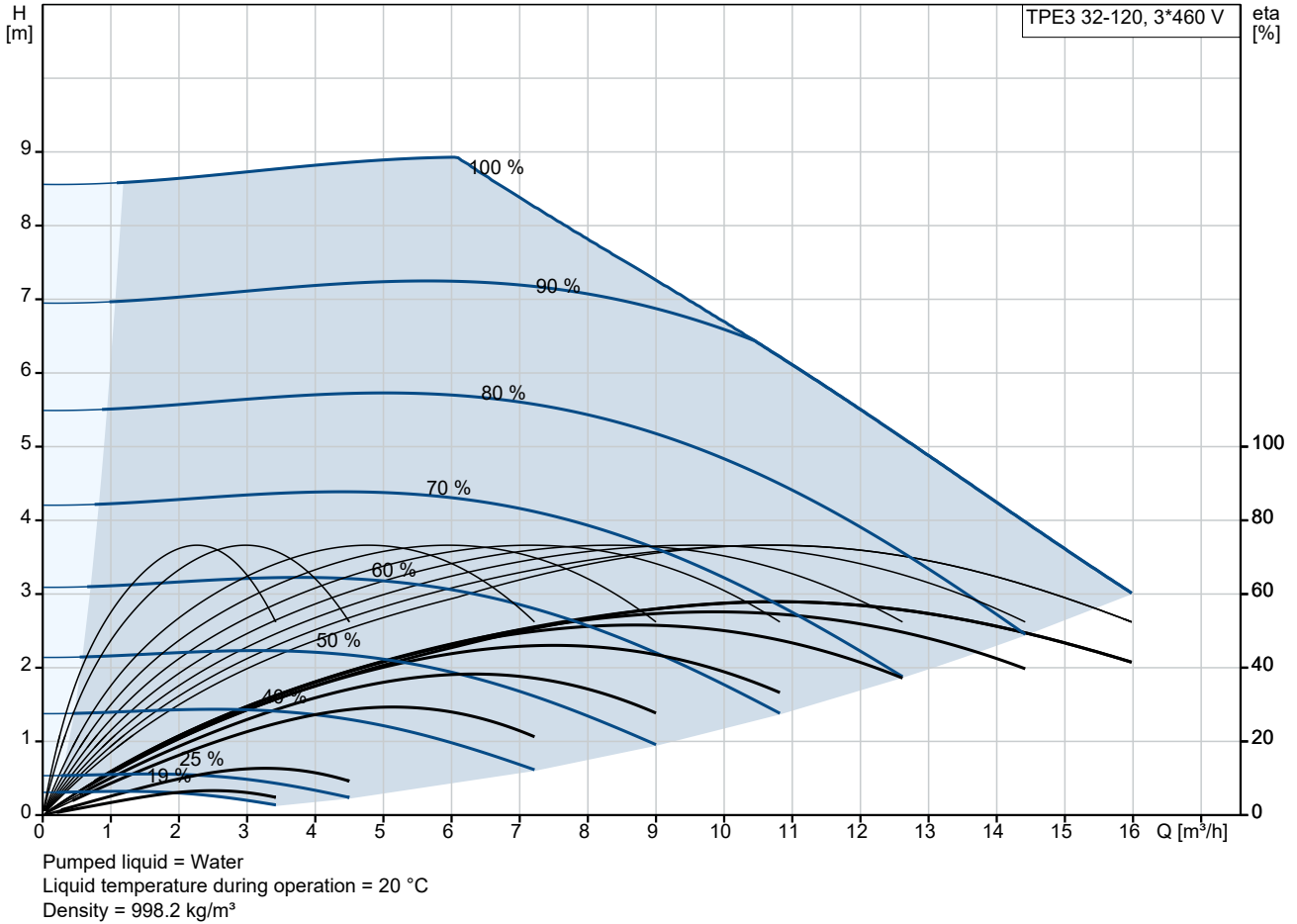
Client:
Client Number:
Contact:

Qty.	Description
1	Port-to-port length: 220 mm Flange size for motor: 56C Electrical data: Motor type: 71A Rated power - P2: 0.25 kW Mains frequency: 50 / 60 Hz Rated voltage: 3 x 380-500 V Rated current: 0.90-0.75 A Cos phi - power factor: 0.58-0.50 Rated speed: 360-4000 rpm IE Efficiency class: IE5 Motor efficiency at full load: 81.2 % Enclosure class (IEC 34-5): IP55 Insulation class (IEC 85): F Motor No: 99137997 Others: Minimum efficiency index, MEI \geq : 0.70 Net weight: 23.5 kg Gross weight: 31 kg Shipping volume: 0.104 m ³ Danish VVS No.: 381620120 Swedish RSK No.: 5745829 Finnish LVI No.: 4616246 Norwegian NRF no.: 9043425

Project:
Reference Number:

Client:
Client Number:
Contact:

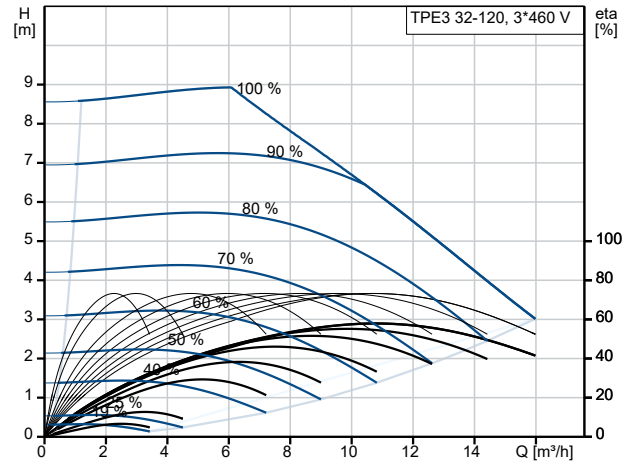
99272203 TPE3 32-120 S-A-F-A-BQQE-CYB



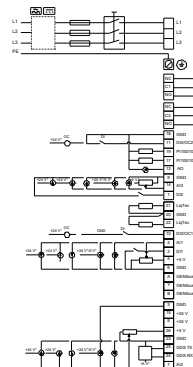
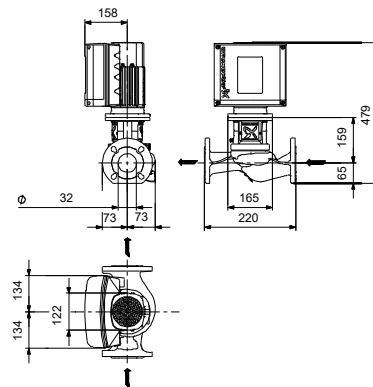
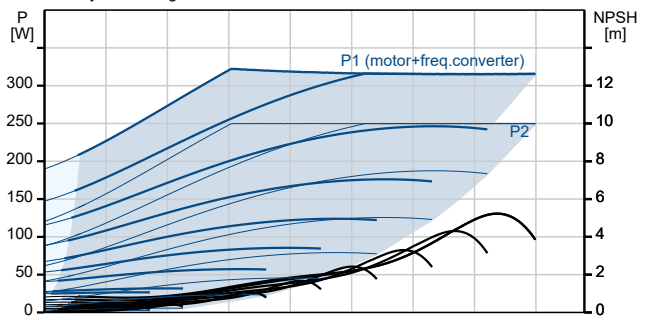
Project:
Reference Number:

Client:
Client Number:
Contact:

Description	Value
General information:	
Product name:	TPE3 32-120 S-A-F-A-BQQE-CYB
Product No:	99272203
EAN number:	5713826359973
Technical:	
Pump speed on which pump data are based:	3600 rpm
Rated flow:	10.9 m ³ /h
Rated head:	6.2 m
Maximum head:	120 dm
Actual impeller diameter:	62 mm
Code for shaft seal:	BQQE
Curve tolerance:	ISO9906:2012 3B2
Pump version:	A
Materials:	
Pump housing:	Cast iron
Pump housing:	EN-GJL-250
Pump housing:	ASTM class 35
Impeller:	Composite
Impeller:	PES+30% GF
Material code:	A
Installation:	
Range of ambient temperature:	-20 .. 50 °C
Maximum operating pressure:	10 bar
Max pressure at stated temp:	10 bar / 120 °C
Type of connection:	DIN
Size of connection:	DN 32
Pressure rating for connection:	PN 6/10
Port-to-port length:	220 mm
Flange size for motor:	56C
Connect code:	F
Liquid:	
Pumped liquid:	Water
Liquid temperature range:	-25 .. 120 °C
Selected liquid temperature:	20 °C
Density:	998.2 kg/m ³
Electrical data:	
Motor type:	71A
Rated power - P2:	0.25 kW
Mains frequency:	50 / 60 Hz
Rated voltage:	3 x 380-500 V
Rated current:	0.90-0.75 A
Cos phi - power factor:	0.58-0.50
Rated speed:	360-4000 rpm
IE Efficiency class:	IE5
Motor efficiency at full load:	81.2 %
Enclosure class (IEC 34-5):	IP55
Insulation class (IEC 85):	F
Built-in motor protection:	ELEC
Motor No:	99137997
Controls:	
Control panel:	HMI300 - Graphical
Function Module:	FM300 - Advanced
Frequency converter:	Built-in



Pumped liquid = Water
 Liquid temperature during operation = 20 °C
 Density = 998.2 kg/m³





Company name: national pumps and boilers
Created by:
Phone: 01539 729395
Email: info@nationlapumpsandboilers.co.uk
Date: 04/01/2024

Project:
Reference Number:

Client:
Client Number:
Contact:

Description	Value
Others:	
Minimum efficiency index, MEI ≥:	0.70
Net weight:	23.5 kg
Gross weight:	31 kg
Shipping volume:	0.104 m ³
Config. file no:	98484759
Danish VVS No.:	381620120
Swedish RSK No.:	5745829
Finnish LVI No.:	4616246
Norwegian NRF no.:	9043425

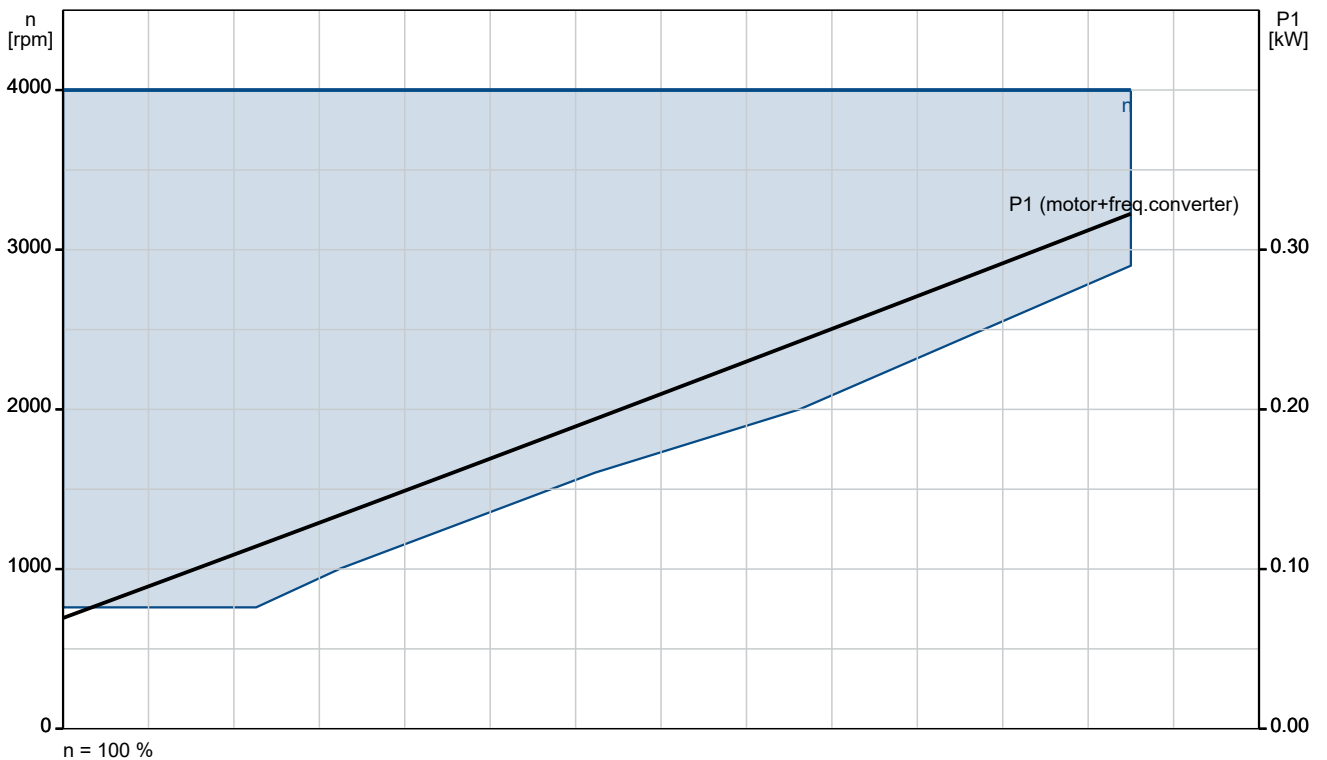
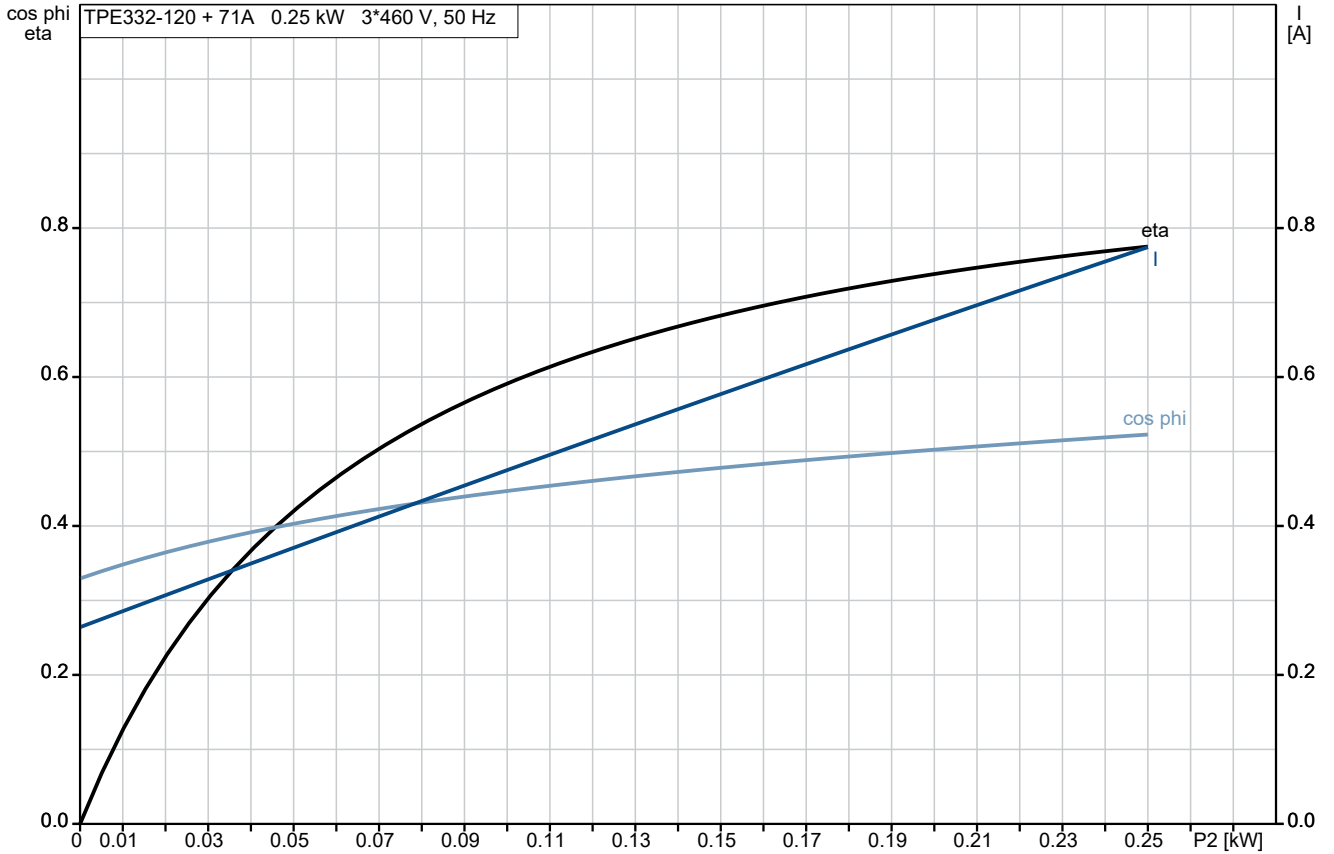


Company name: national pumps and boilers
Created by:
Phone: 01539 729395
Email: info@nationlapumpsandboilers.co.uk
Date: 04/01/2024

Project:
Reference Number:

Client:
Client Number:
Contact:

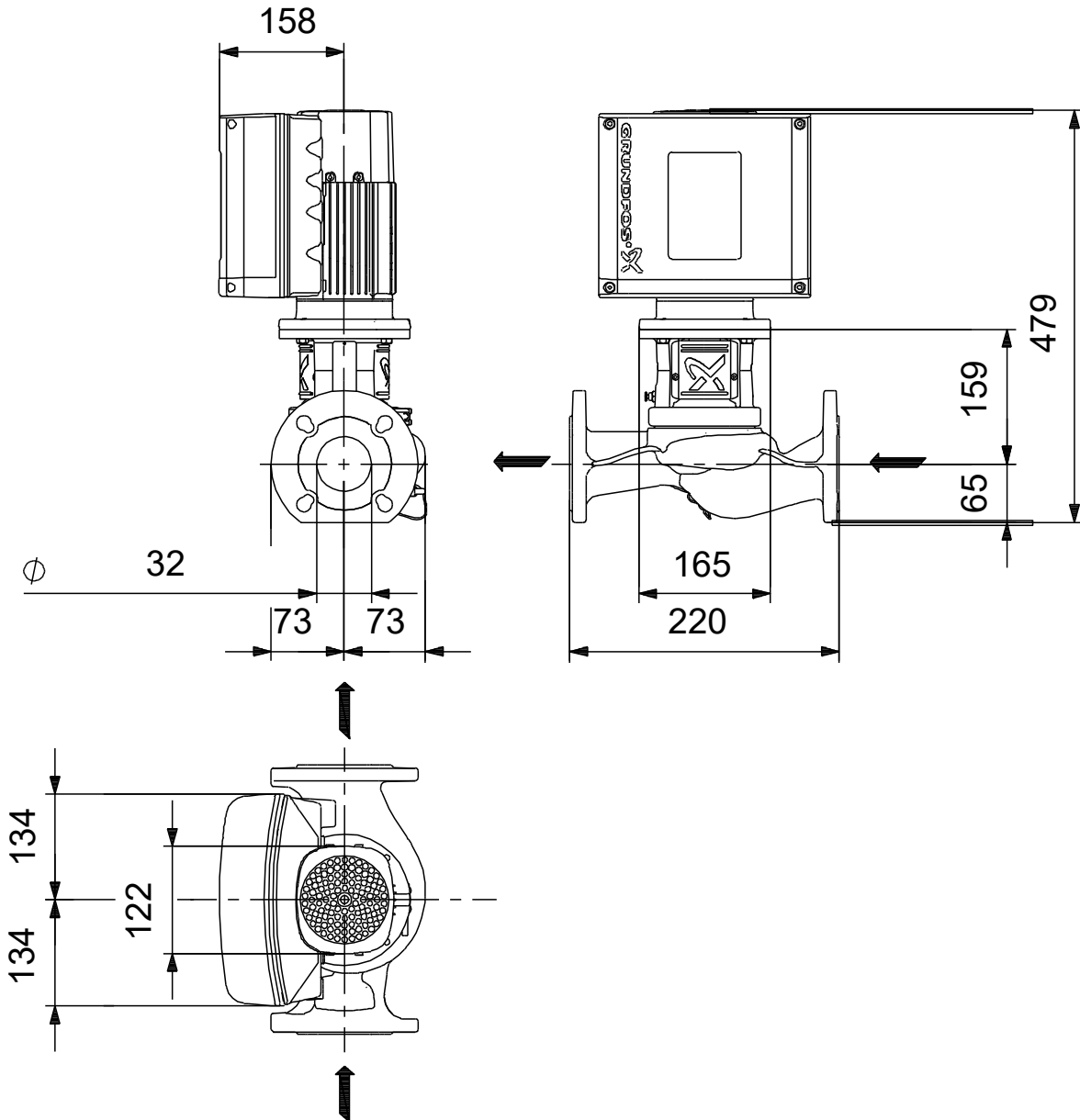
99272203 TPE3 32-120 S-A-F-A-BQQE-CYB



Project:
Reference Number:

Client:
Client Number:
Contact:

99272203 TPE3 32-120 S-A-F-A-BQQE-CYB

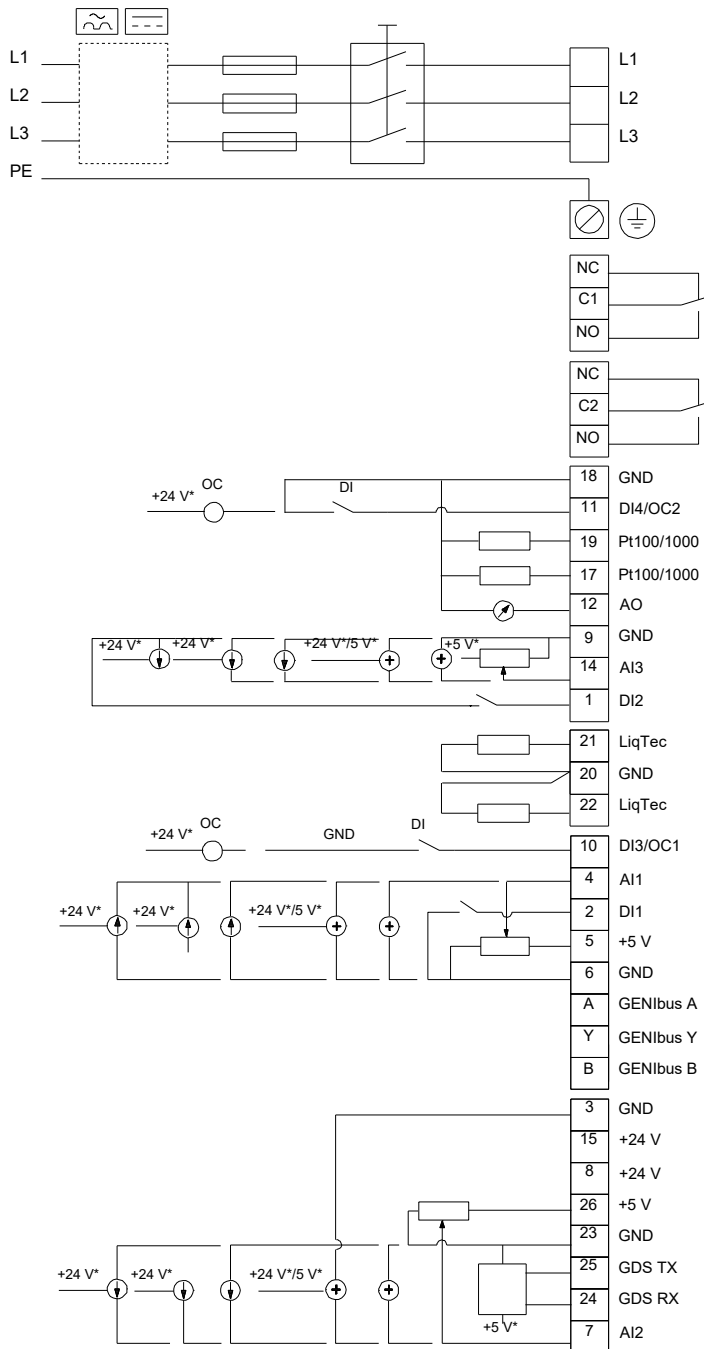


Note! All units are in [mm] unless others are stated.
 Disclaimer: This simplified dimensional drawing does not show all details.

Project:
Reference Number:

Client:
Client Number:
Contact:

99272203 TPE3 32-120 S-A-F-A-BQQE-CYB



Note! All units are in [mm] unless others are stated.