

**Receiver**

**From**

Society  
Reference  
Address  
Phone  
Fax  
E-mail

**Item n° :** Customer pos. no.:  
60150947  
**Model :**  
EVOPLUS B 60/220.32 M

**Pump data**  
Pressure rating : 1,6 MPa  
Min. fluid temperature : -10 °C  
Max. fluid temperature : 110 °C  
EEI : ≤ 0,20

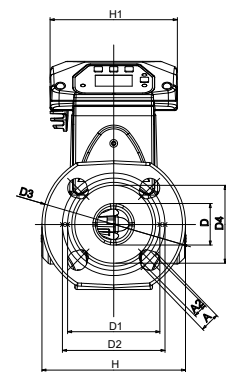
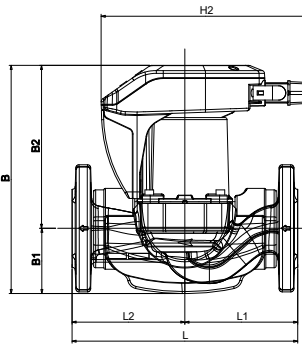
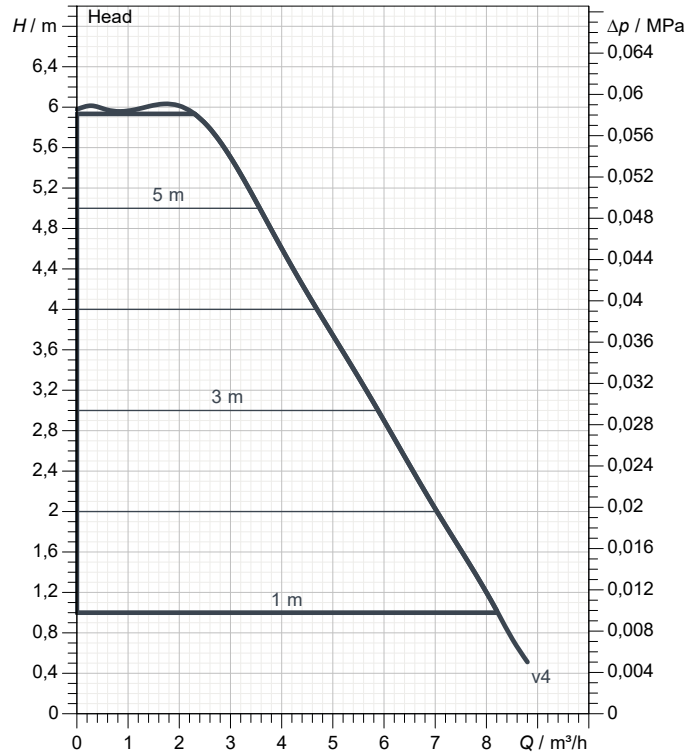
**Minimum suction head :**  
Temperature °C 90 100  
Minimum suction head : m 20 25

**Requested data**  
Flow :  
Head :  
Fluid (%) :  
Fluid Temperature : 20 °C  
Density : 998,3 kg/m³  
Kinematic viscosity : 1,005 mm²/s  
Vapor pressure : 0,00 MPa

**Hydraulic data (duty point)**  
Flow :  
Head :

**Materials**  
Pump body : Cast iron 250 UNI ISO 185 - CTF  
Impeller : Technopolymer  
Motor shaft : Alumina  
Seal ring : EPDM  
Motor casing : Die cast aluminium  
Closing flange : Stainless steel  
Thrust ring support : EPDM

**Curve tolerance according to ISO 9906**



**Motor data**  
Motor brand : DAB  
Power input P1 : 0,12 kW  
Rated voltage : 1~ 220-240 V 50 Hz  
Nominal current : 0,9 A  
Degree of protection : IP 44

Dimensions in mm	
A	19
A2	14
B	256
B1	67
B2	189
D	40
D1	90
D2	100
D3	140
D4	76
H	165
H1	124
H2	204
L	220
L1	110
L2	110
<b>Weight :</b> 7,5 kg	
<b>Pump connection</b>	
Suction side :	DN 32 / PN6, PN10, PN16
Discharge side :	DN 32 / PN6, PN10, PN16



# PERFORMANCE CURVES

DAB PUMPS S.p.A.  
Via Marco Polo, 14 - 35035 Mestrino (PD), Italy  
Tel. +39 049 5125000 - Fax +39 049 5125950  
www.dabpumps.com

2023-02-03

Page 2 / 3

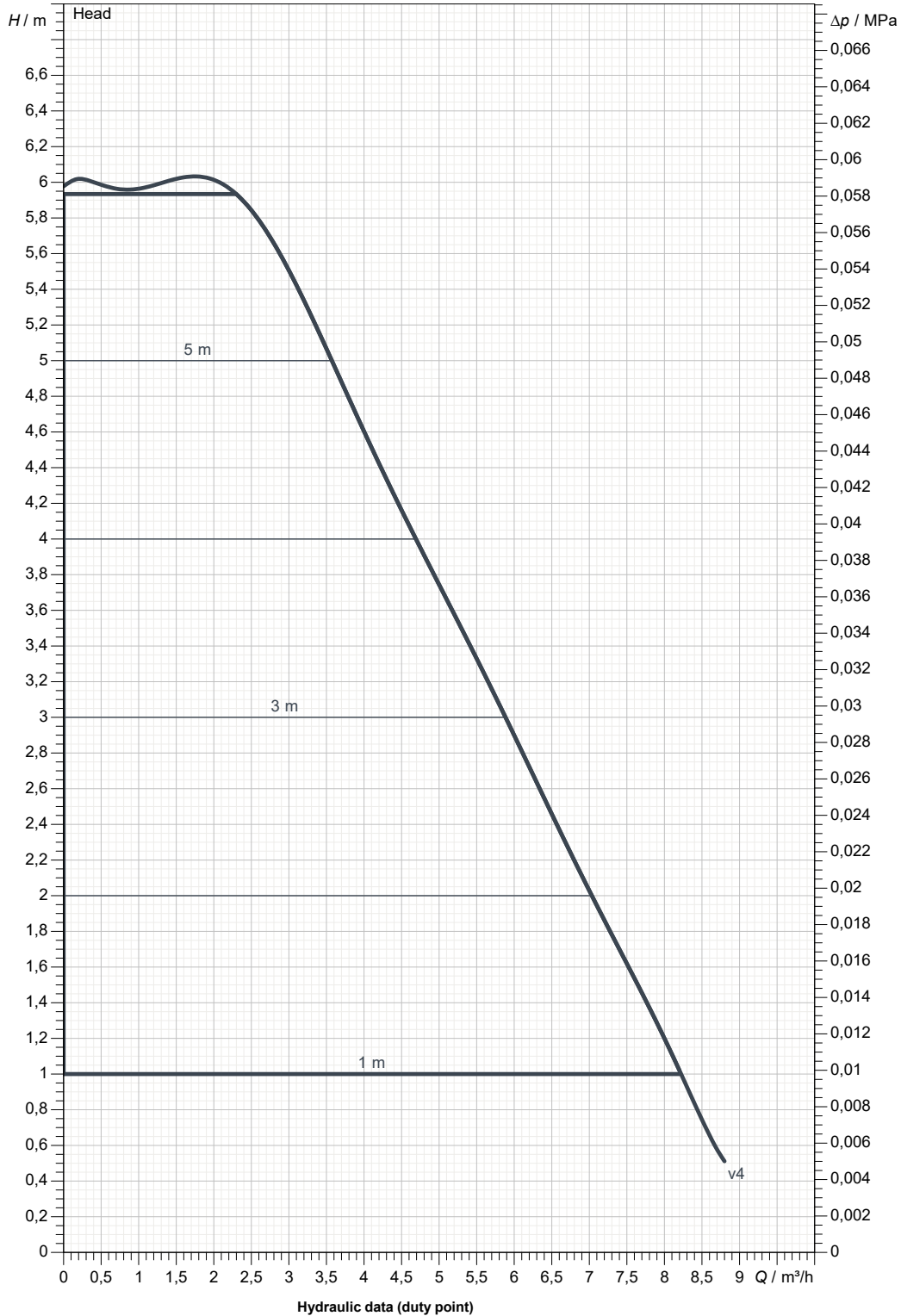
Receiver

From

Society  
Reference  
Address  
Phone  
Fax  
E-mail

## EVOPLUS B 60/220.32 M

Curve tolerance according to ISO 9906



Suction side :  
DN 32  
PN6, PN10, PN16

Discharge side :  
DN 32  
PN6, PN10, PN16

Flow :

Head :

Rated speed :  
2.900 1/min

MAIN\_PROJECT\_TITLE

BUSINESS\_PROCESS\_IT

OWNER\_

ISSUE\_DATE  
2023-02-03



# DIMENSIONAL DRAWING

DAB PUMPS S.p.A.  
Via Marco Polo, 14 - 35035 Mestrino (PD), Italy  
Tel. +39 049 5125000 - Fax +39 049 5125950  
www.dabpumps.com

2023-02-03

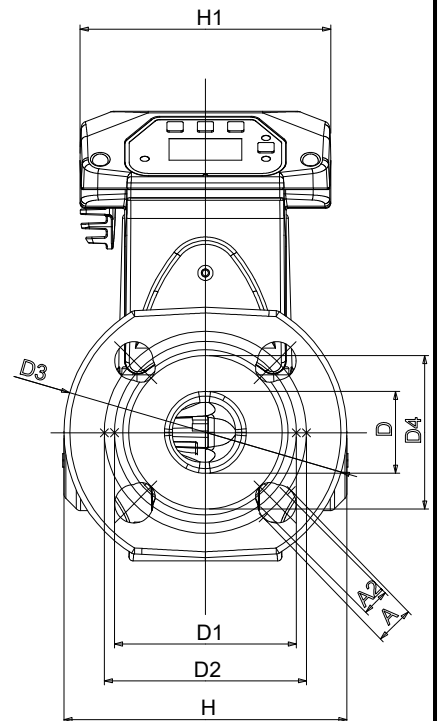
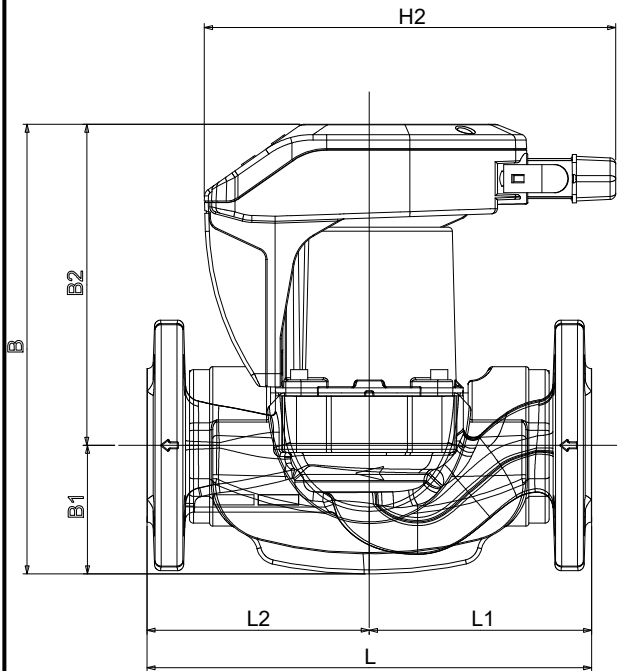
Page 3 / 3

Receiver

From

Society  
Reference  
Address  
Phone  
Fax  
E-mail

## EVOPLUS B 60/220.32 M



### Dimensions in mm

### Pump connection

1	A	19	H1	124	Suction DN 32 PN6, PN10, PN16  Discharge DN 32 PN6, PN10, PN16
2	A2	14	H2	204	
3	B	256	L	220	
4	B1	67	L1	110	
5	B2	189	L2	110	
6	D	40			
7	D1	90			
8	D2	100			
9	D3	140			
10	D4	76			
11	H	165			

MAIN\_PROJECT\_TITLE

BUSINESS\_PROCESS\_ID

OWNER

ISSUE\_DATE

2023-02-03