

Receiver

From

Society
Reference
Address
Phone
Fax
E-mail

Item n° : 60150950
Customer pos. no.:
Model : EVOPLUS B 40/250.40 M

Pump data
Pressure rating : 1,6 MPa
Min. fluid temperature : -10 °C
Max. fluid temperature : 110 °C
EEI : ≤ 0,20

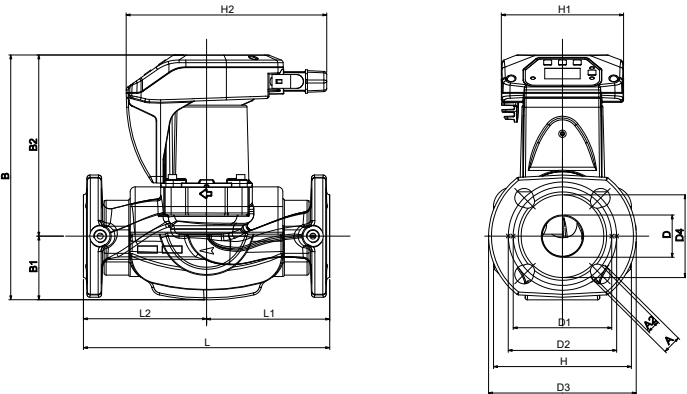
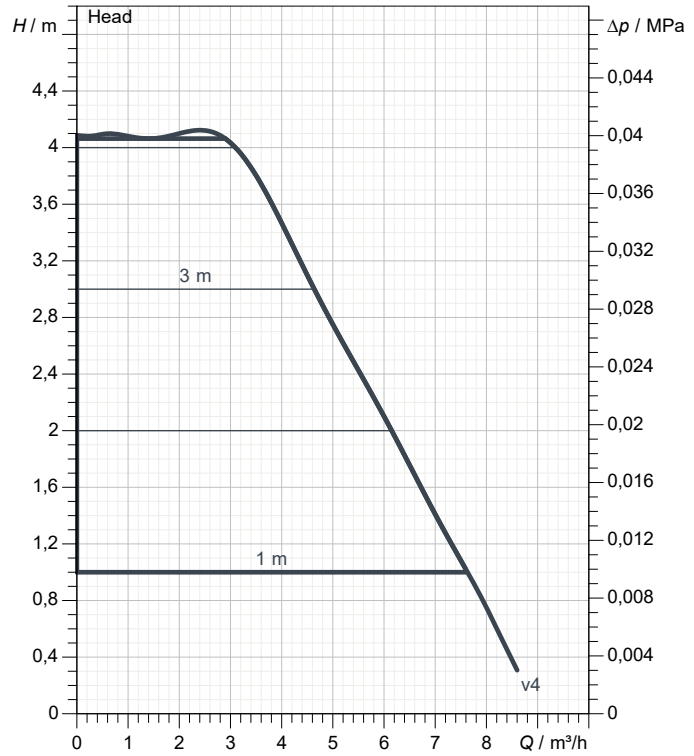
Minimum suction head :
Temperature °C 90 100
Minimum suction head : m 20 25

Requested data
Flow :
Head :
Fluid (%) :
Fluid Temperature : 20 °C
Density : 998,3 kg/m³
Kinematic viscosity : 1,005 mm²/s
Vapor pressure : 0,00 MPa

Hydraulic data (duty point)
Flow :
Head :

Materials
Pump body : Cast iron 250 UNI ISO 185 - CTF
Impeller : Technopolymer
Motor shaft : Alumina
Seal ring : EPDM
Motor casing : Die cast aluminium
Closing flange : Stainless steel
Thrust ring support : EPDM

Curve tolerance according to ISO 9906



Motor data
Motor brand : DAB
Power input P1 : 0,075 kW
Rated voltage : 1~ 220-240 V 50 Hz
Nominal current : 0,55 A
Degree of protection : IP 44

Dimensions in mm	
A	19
A2	14
B	258
B1	74
B2	184
D	43
D1	100
D2	110
D3	150
D4	84
H	176
H1	124
H2	204
L	250
L1	125
L2	125
Weight : 7,5 kg	
Pump connection	
Suction side :	DN 40 / PN6, PN10, PN16
Discharge side :	DN 40 / PN6, PN10, PN16



PERFORMANCE CURVES

2023-02-03

Page 2 / 3

DAB PUMPS S.p.A.
Via Marco Polo, 14 - 35035 Mestrino (PD), Italy
Tel. +39 049 5125000 - Fax +39 049 5125950
www.dabpumps.com

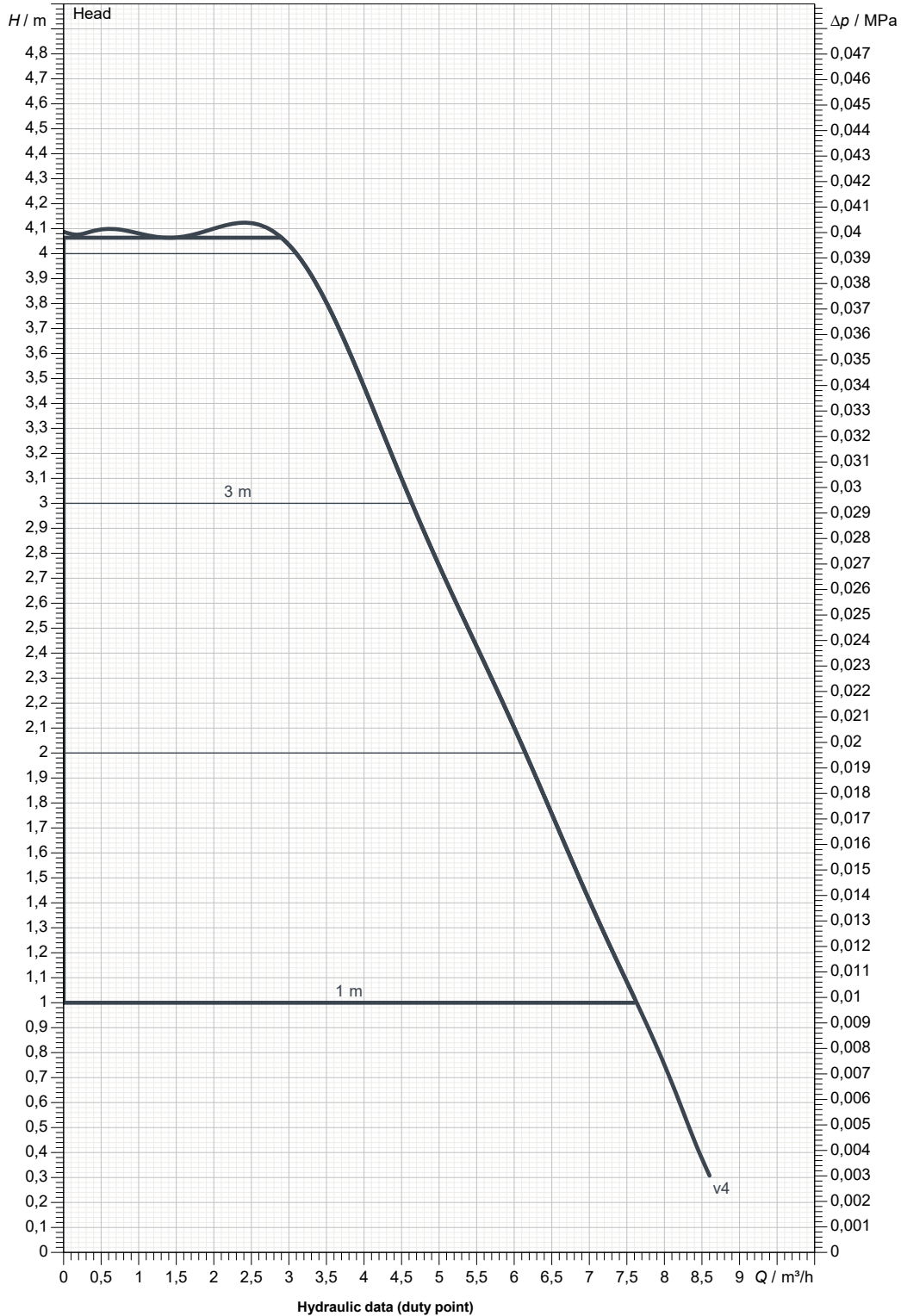
Receiver

From

Society
Reference
Address
Phone
Fax
E-mail

EVOPLUS B 40/250.40 M

Curve tolerance according to ISO 9906



Suction side :
DN 40
PN6, PN10, PN16

Discharge side :
DN 40
PN6, PN10, PN16

Flow :

Head :

Rated speed :
2.900 1/min

MAIN_PROJECT_TITLE

BUSINESS_PROCESS_IC

OWNER_

ISSUE_DATE

2023-02-03



DIMENSIONAL DRAWING

2023-02-03

Page 3 / 3

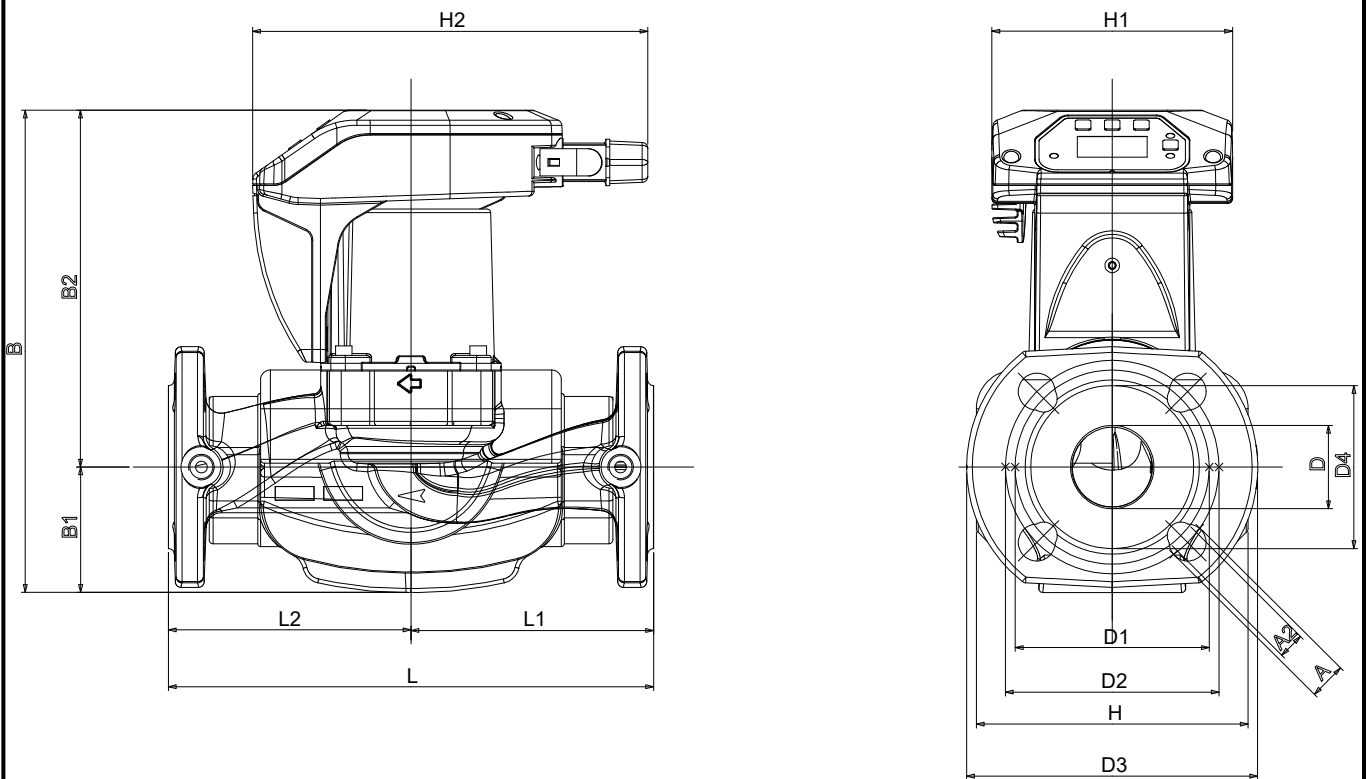
DAB PUMPS S.p.A.
Via Marco Polo, 14 - 35035 Mestrino (PD), Italy
Tel. +39 049 5125000 - Fax +39 049 5125950
www.dabpumps.com

Receiver

From

Society
Reference
Address
Phone
Fax
E-mail

EVOPLUS B 40/250.40 M



Dimensions in mm					Pump connection	
1	A	19	H1	124	Suction DN 40 PN6, PN10, PN16	
2	A2	14	H2	204		
3	B	258	L	250		
4	B1	74	L1	125		
5	B2	184	L2	125		
6	D	43				
7	D1	100				Discharge DN 40 PN6, PN10, PN16
8	D2	110				
9	D3	150				
10	D4	84				
11	H	176				

MAIN_PROJECT_TITLE	BUSINESS_PROCESS_ID	OWNER	ISSUE_DATE 2023-02-03
--------------------	---------------------	-------	---------------------------------