



PERFORMANCE CURVES

2023-02-03

Page 2 / 3

DAB PUMPS S.p.A.
Via Marco Polo, 14 - 35035 Mestrino (PD), Italy
Tel. +39 049 5125000 - Fax +39 049 5125950
www.dabpumps.com

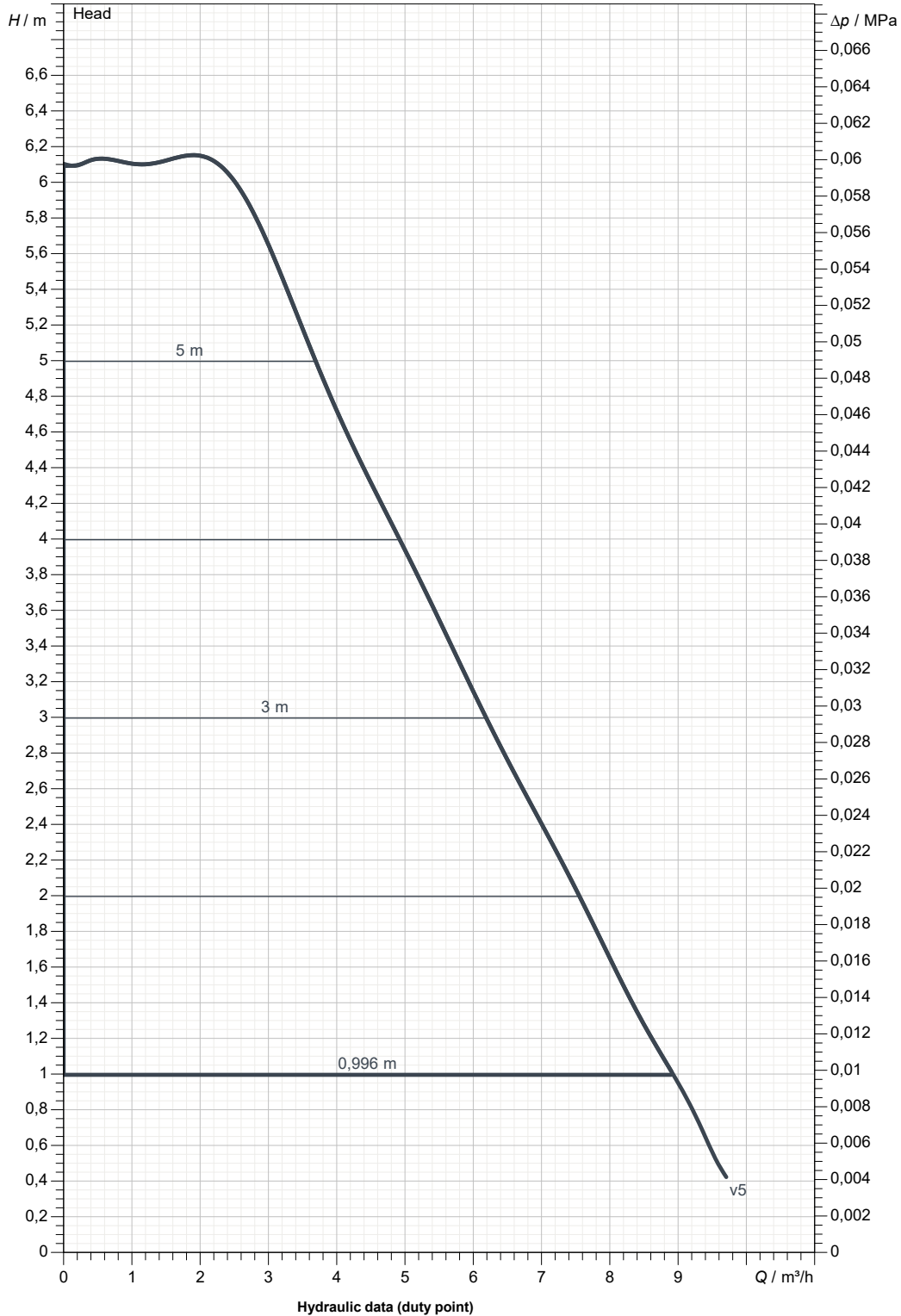
Receiver

From

Society
Reference
Address
Phone
Fax
E-mail

EVOPLUS B 60/250.40 M

Curve tolerance according to ISO 9906



Suction side :
DN 40
PN6, PN10, PN16

Discharge side :
DN 40
PN6, PN10, PN16

Flow :

Head :

Rated speed :
2.900 1/min

MAIN_PROJECT_TITLE

BUSINESS_PROCESS_ID

OWNER_

ISSUE_DATE

2023-02-03



DIMENSIONAL DRAWING

2023-02-03

Page 3 / 3

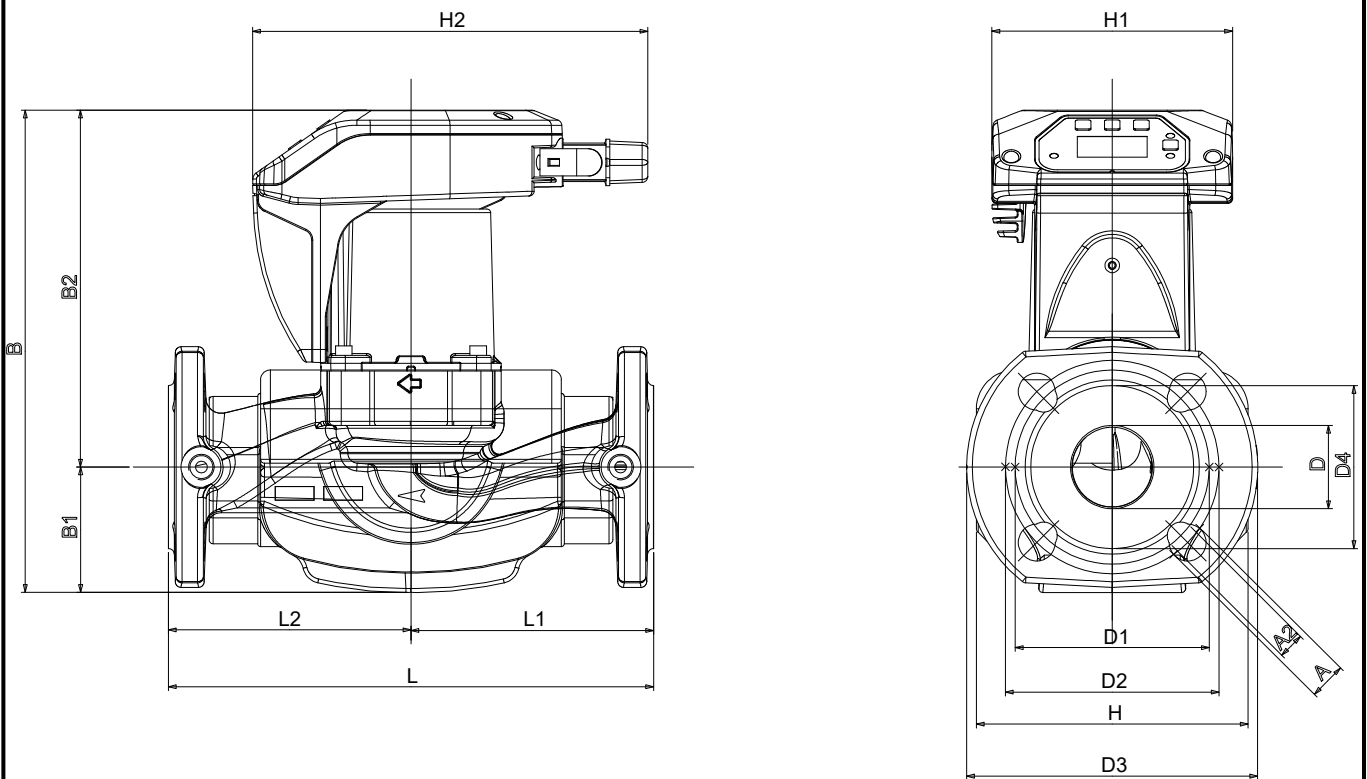
DAB PUMPS S.p.A.
Via Marco Polo, 14 - 35035 Mestrino (PD), Italy
Tel. +39 049 5125000 - Fax +39 049 5125950
www.dabpumps.com

Receiver

From

Society
Reference
Address
Phone
Fax
E-mail

EVOPLUS B 60/250.40 M



Dimensions in mm

Pump connection

1	A	19	H1	124	Suction DN 40 PN6, PN10, PN16 Discharge DN 40 PN6, PN10, PN16
2	A2	14	H2	204	
3	B	258	L	250	
4	B1	74	L1	125	
5	B2	184	L2	125	
6	D	43			
7	D1	100			
8	D2	110			
9	D3	150			
10	D4	84			
11	H	176			

MAIN_PROJECT_TITLE

BUSINESS_PROCESS_ID

OWNER

ISSUE_DATE

2023-02-03