

Receiver
From

 Society
 Reference
 Address
 Phone
 Fax
 E-mail

Item n° :

60150953

Customer pos. no.:
Model :

EVOPLUS B 110/250.40 M

Pump data

 Pressure rating : 1,6 MPa
 Min. fluid temperature : -10 °C
 Max. fluid temperature : 110 °C
 EEI : ≤ 0,20

Minimum suction head :

 Temperature °C 90 100
 Minimum suction head : m 20 25

Requested data

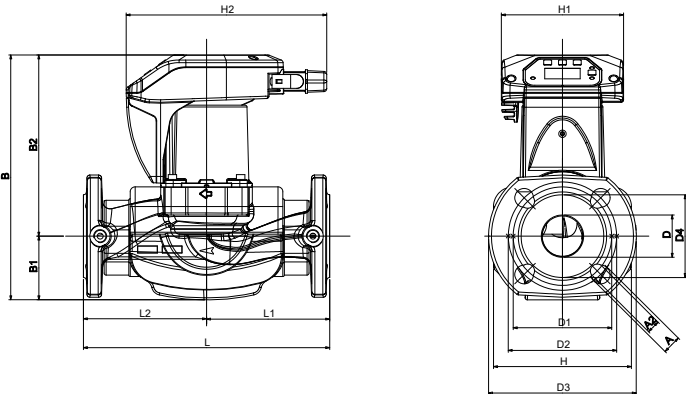
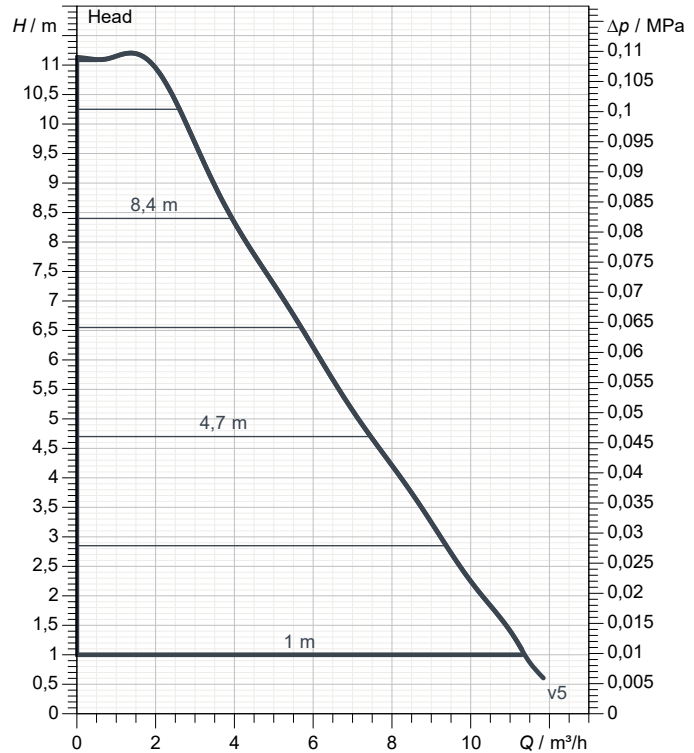
 Flow :
 Head :
 Fluid (%) :
 Fluid Temperature : 20 °C
 Density : 998,3 kg/m³
 Kinematic viscosity : 1,005 mm²/s
 Vapor pressure : 0,00 MPa

Hydraulic data (duty point)

 Flow :
 Head :

Materials

 Pump body Cast iron 250 UNI ISO 185 - CTF
 Impeller Technopolymer
 Motor shaft Alumina
 Seal ring EPDM
 Motor casing Die cast aluminium
 Closing flange Stainless steel
 Thrust ring support EPDM

Curve tolerance according to ISO 9906

Motor data

 Motor brand : DAB
 Power input P1 : 0,19 kW
 Rated voltage : 1~ 220-240 V 50 Hz
 Nominal current : 1,3 A
 Degree of protection : IP 44

Dimensions in mm

A	19	D1	100	H2	204		
A2	14	D2	110	L	250		
B	258	D3	150	L1	125		
B1	74	D4	84	L2	125		
B2	184	H	176				
D	43	H1	124				

Weight : 7,5 kg

Pump connection

 Suction side : DN 40 / PN6, PN10, PN16
 Discharge side : DN 40 / PN6, PN10, PN16



PERFORMANCE CURVES

2023-02-03

Page 2 / 3

DAB PUMPS S.p.A.
Via Marco Polo, 14 - 35035 Mestrino (PD), Italy
Tel. +39 049 5125000 - Fax +39 049 5125950
www.dabpumps.com

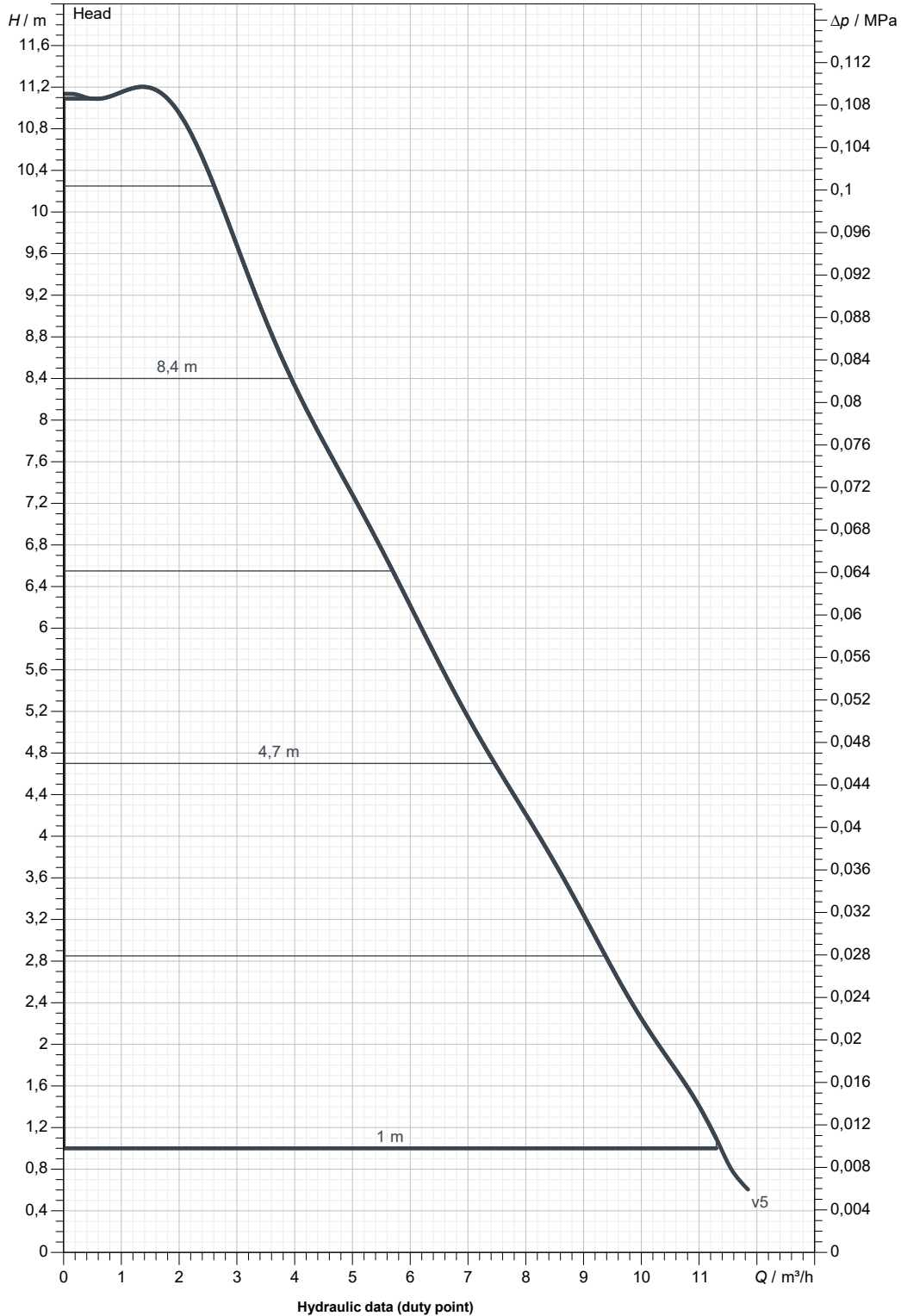
Receiver

From

Society
Reference
Address
Phone
Fax
E-mail

EVOPLUS B 110/250.40 M

Curve tolerance according to ISO 9906



Suction side :
DN 40
PN6, PN10, PN16

Discharge side :
DN 40
PN6, PN10, PN16

Flow :

Head :

Rated speed :
2.900 1/min

MAIN_PROJECT_TITLE

BUSINESS_PROCESS_IT

OWNER_

ISSUE_DATE
2023-02-03



DIMENSIONAL DRAWING

2023-02-03

Page 3 / 3

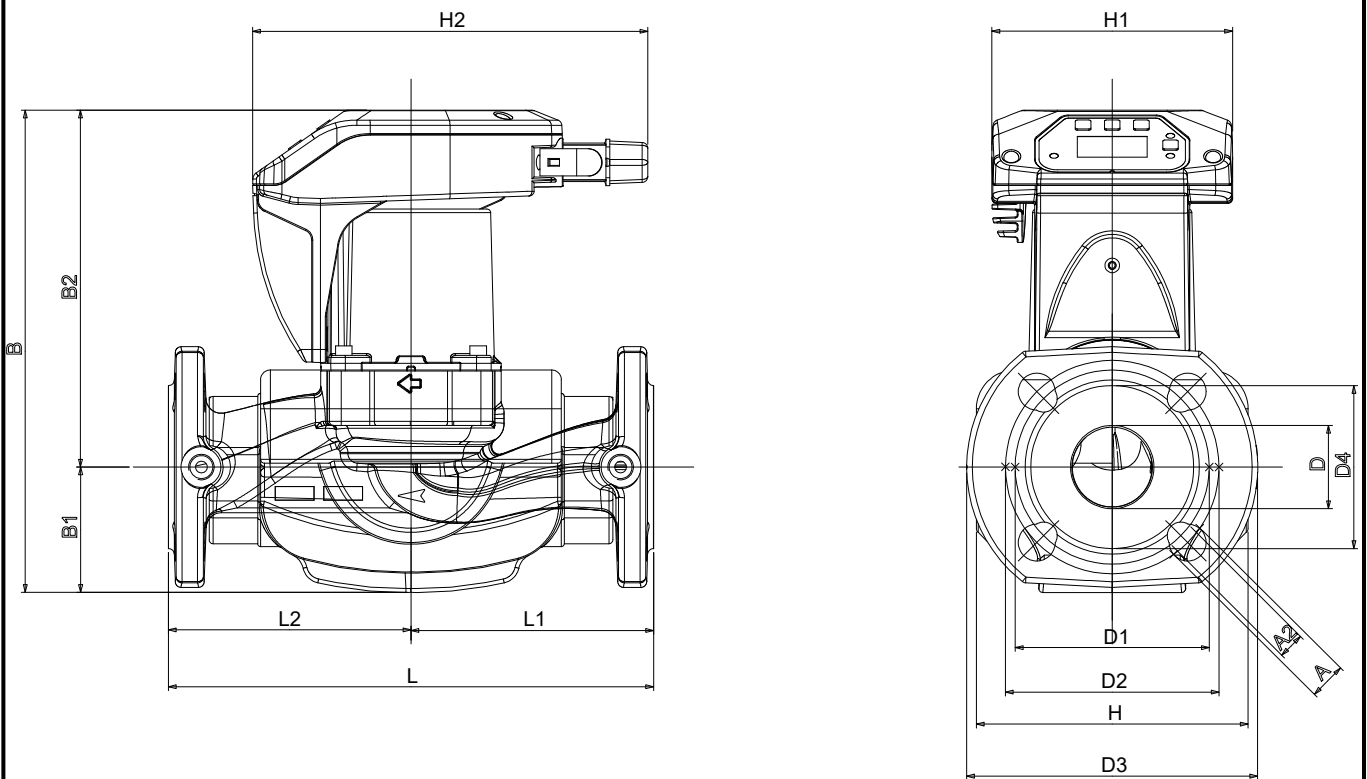
DAB PUMPS S.p.A.
Via Marco Polo, 14 - 35035 Mestrino (PD), Italy
Tel. +39 049 5125000 - Fax +39 049 5125950
www.dabpumps.com

Receiver

From

Society
Reference
Address
Phone
Fax
E-mail

EVOPLUS B 110/250.40 M



Dimensions in mm					Pump connection	
1	A	19	H1	124	Suction DN 40 PN6, PN10, PN16	
2	A2	14	H2	204		
3	B	258	L	250		
4	B1	74	L1	125		
5	B2	184	L2	125		
6	D	43				Discharge DN 40 PN6, PN10, PN16
7	D1	100				
8	D2	110				
9	D3	150				
10	D4	84				
11	H	176				

MAIN_PROJECT_TITLE	BUSINESS_PROCESS_ID	OWNER	ISSUE_DATE 2023-02-03
--------------------	---------------------	-------	---------------------------------